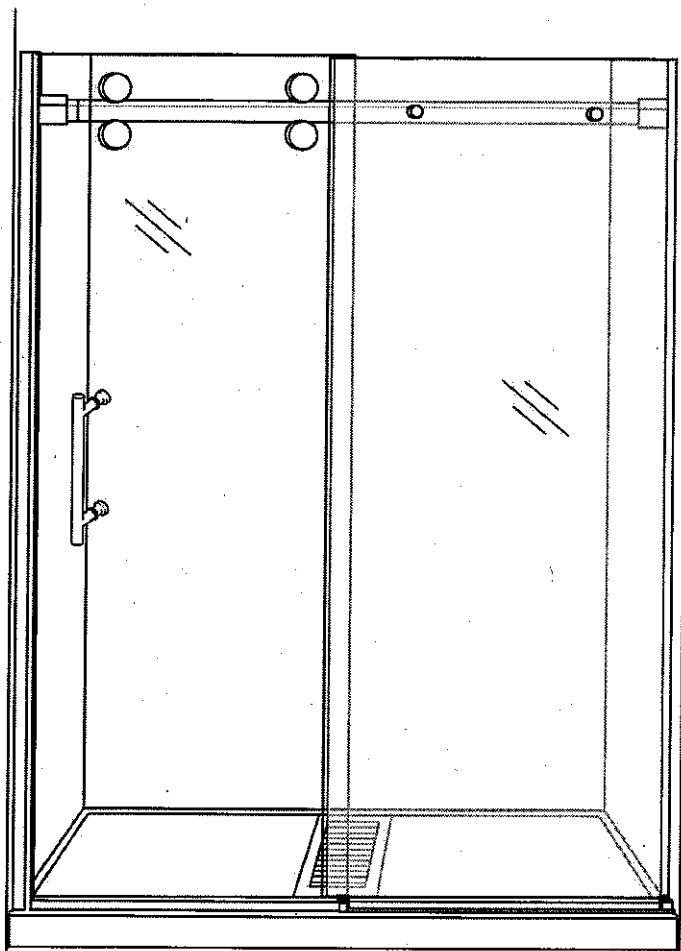




Installation Guide

228B
SHOWER DOOR

Shower Door



**TWO PERSONS
REQUIRED**

Please read notices on following page



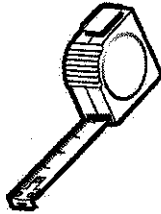
Installation Guide

SHOWER DOOR

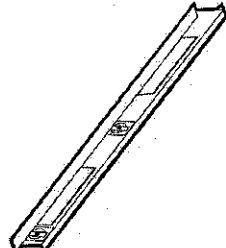
MATERIALS AND TOOLS REQUIRED



PENCIL



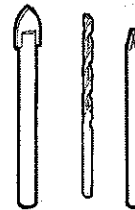
TAPE MEASURE



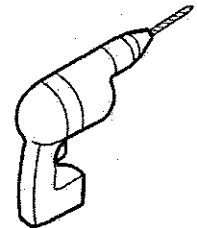
LEVEL



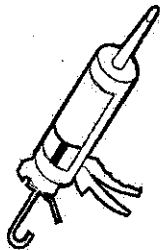
PHILLIPS
SCREWDRIVERS



1/4", 1/8" & PHILLIPS
DRILL BITS



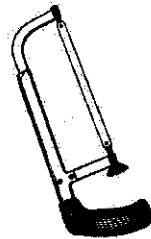
DRILL



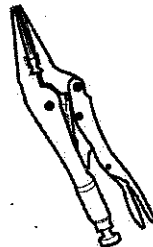
SILICONE



MALLET



HACKSAW



LONG NOSE LOCKING PLIER

GENERAL INSTRUCTIONS

- Read this guide carefully and completely before proceeding.
- It is recommended that you wear safety glasses during the installation.

INSTALLATION OVER TILES

- If your shower door is being installed over tiles, the tiles should lay completely under the u-channel.
- Silicone should be used to seal the gap where the tiles meet both u-channels.

NOTICE ***FRAMELESS SHOWER DOORS ARE NOT GUARANTEED TO BE 100% LEAK PROOF***

FIXED PANEL MUST BE INSTALLED ON THE WALL OPPOSITE TO THE SHOWER FAUCET

- Caulking: no sealant is required inside the shower.
- This guide illustrates a left hand door opening installation (Installation can be reversed to create a right hand opening door).
- **It is highly recommended to have the wall studs lining up with both sides of the shower door.**
- In the case of having no wall studs, the minimum expected requirement is that wall plugs are used.**
**The integrity of the door is not guaranteed without the use of wall studs.

MAINTAINENCE & CARE FOR YOUR SHOWER DOOR

- Never use scouring powder pads or sharp instruments on metal hardware or glass panels.
- A non-abrasive cleaner is all that is needed to keep the panels and hardware looking new.
- It is recommended to rinse the panels, or wipe the glass panels with a squeegee after each use.

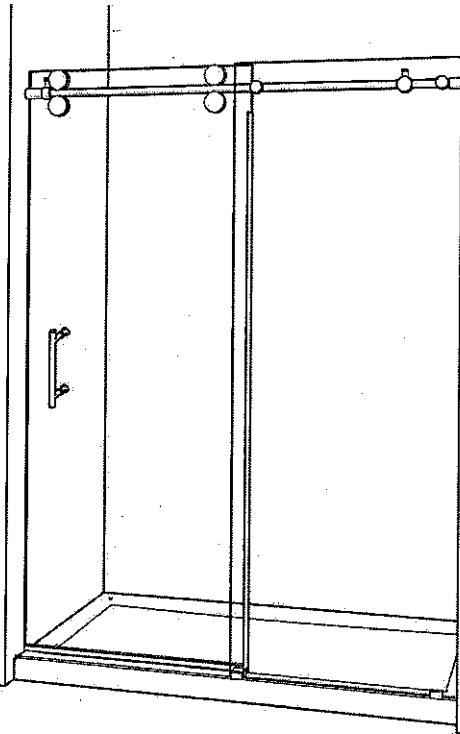


Installation Guide

SHOWER DOOR

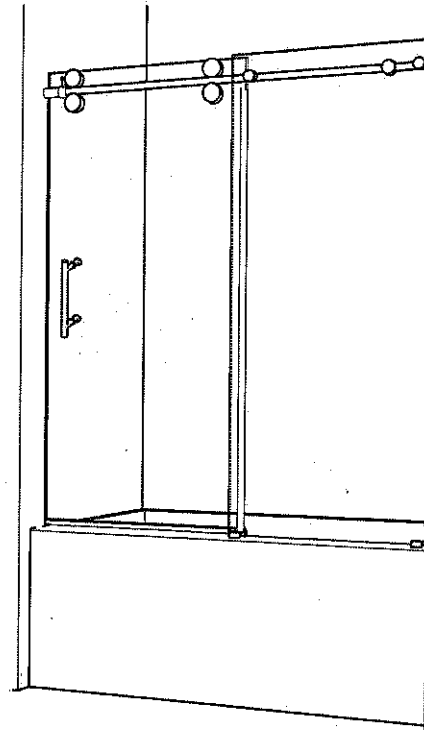
Installation Guide

VD230SD



Shower Base Installation

VD230TD



Tub Installation

GENERAL INFORMATION

- Installation guide for shower door and tub door.

PRODUCT SPECIFICATIONS ARE SUBJECT TO CHANGE WITHOUT NOTICE.

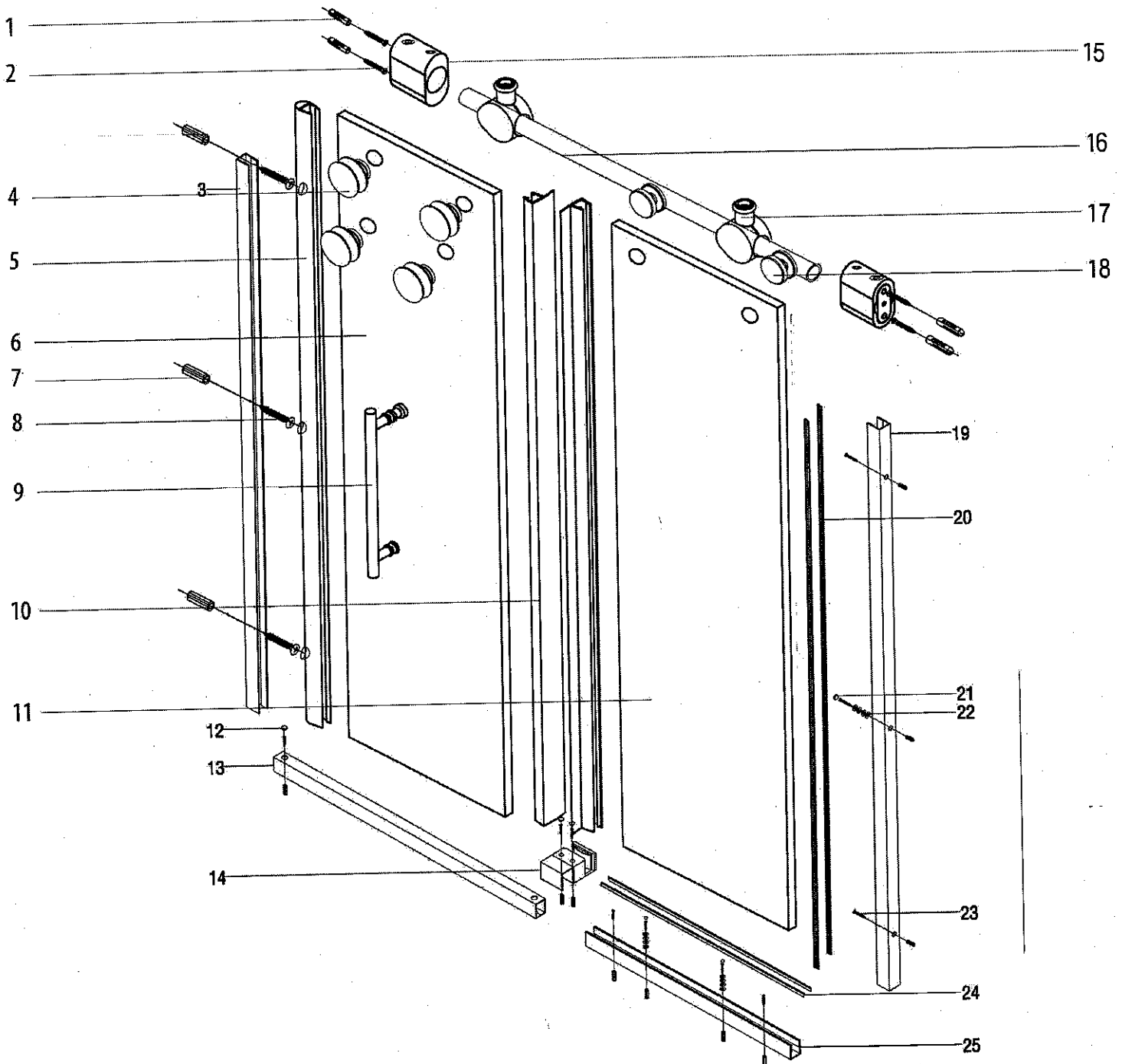
Dimensions of fixtures are approximate and may vary $\pm 6\text{mm}$ (1/4"). Structure measurements must be verified against the unit to ensure proper fit.



Installation Guide

SHOWER DOOR

Parts List



PRODUCT SPECIFICATIONS ARE SUBJECT TO CHANGE WITHOUT NOTICE.

Dimensions of fixtures are approximate and may vary $\pm 6\text{mm}$ (1/4"). Structure measurements must be verified against the unit to ensure proper fit.



Installation Guide

SHOWER DOOR

Shower Door

Parts List

ITEM	DRAWING	DESCRIPTION	QUANTITY	
1		Wall Plug (8 * 36)	4	
2		Flat Head Tapping Screw(5*50)	4	
3		Glass Panel Profile(Stainless Steel)	1	
4		Rollers	4	
5		Arched Seal Gasket (Door Panel)	1	
6		Door Panel (Sliding)	1	
7		Wall Plug (6 * 28)	13	
8		Round Head Tapping Screws (4 * 30)	6	
9		Door Handle	1	
10		Side Seal Gaskets (Door & Fixed)	2	
11		Fixed Panel	1	
12		Screw Cover	1	
13		Waterproof Rail	1	
14		Bottom Door Guide Assembly	1	
15		Wall joint(circular bar)Assembly	2	
16		Circular Bar	1	
17		Door Stopper	2	
18		Fixed Panel Couplings	2	
19		Fixed Panel Profile	1	
20		Seal Strip(Fixed Panel)	2	
21		Screw Cover	6	
22		Flat washer	12	
23		Flat Head Tapping Screw(4*30)	7	
24		Seal Strip(Fixed Panel)	2	
25		Bottom Rail (Stainless Steel)	1	

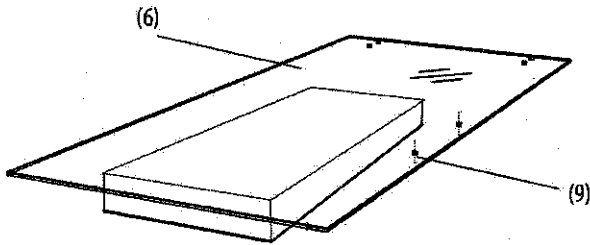


Installation Guide

SHOWER DOOR

Door Panel Hardware Assembly

1A.

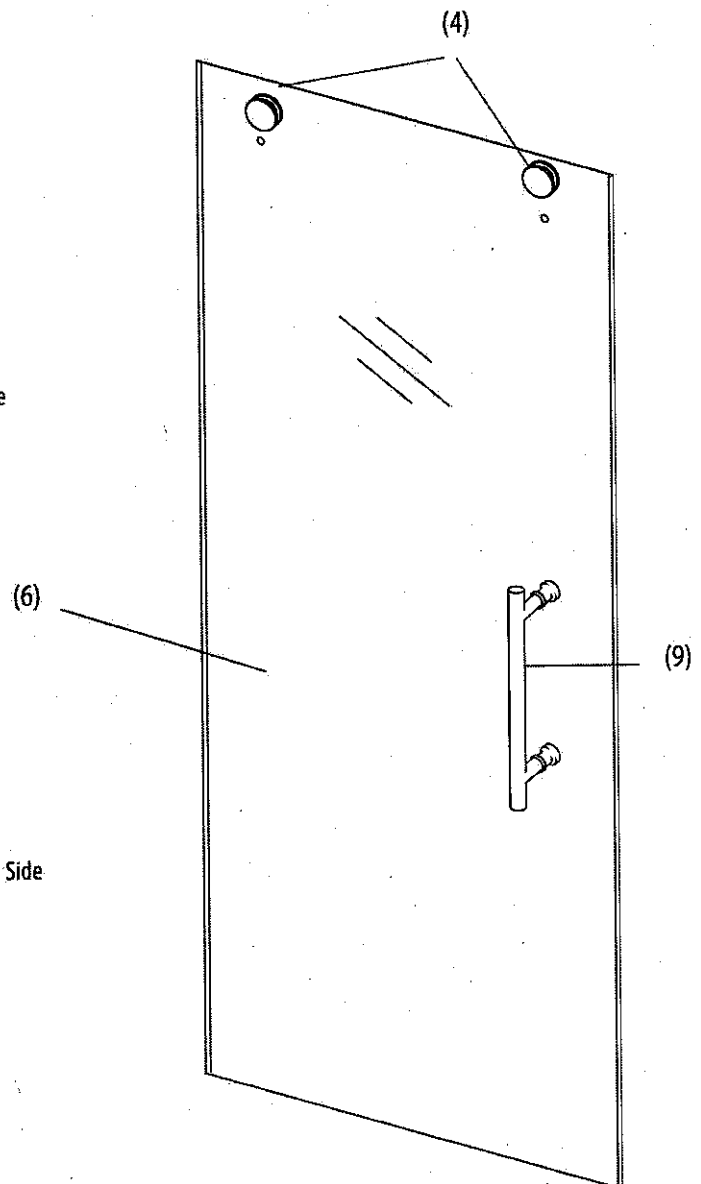
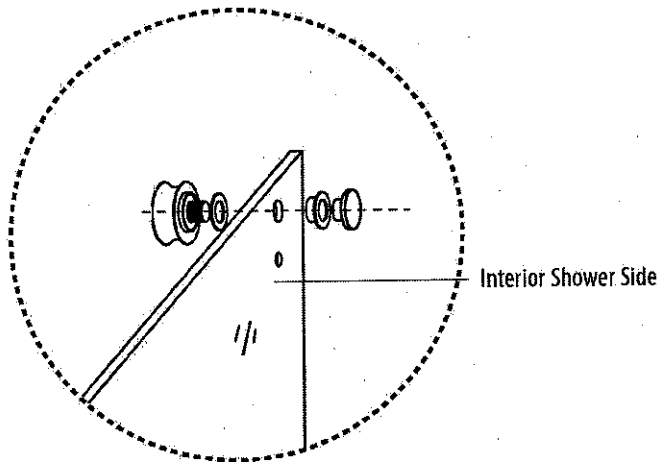


1A. Place door panel (6) on cushioned or cardboard surface to protect during the following steps.

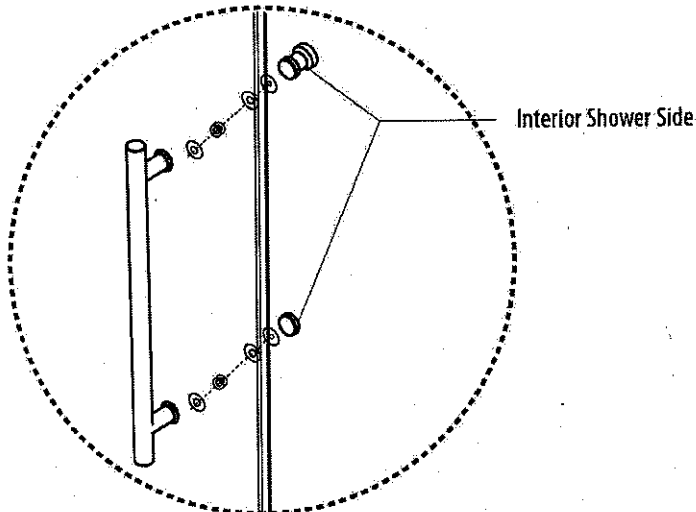
1B. Install the two rollers (4) through the top holes of the door panel.

1C. Install the door handle (9). Fastening bolts for the handles are to be placed towards the interior of the door panel (6).

1B.



1C.



PRODUCT SPECIFICATIONS ARE SUBJECT TO CHANGE WITHOUT NOTICE.

Dimensions of fixtures are approximate and may vary $\pm 6\text{mm}$ (1/4"). Structure measurements must be verified against the unit to ensure proper fit.



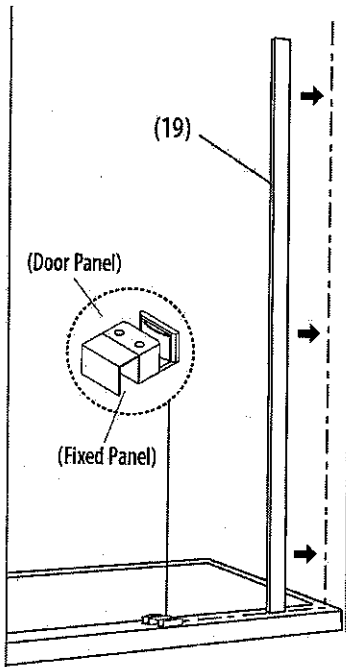
Installation Guide

SHOWER DOOR

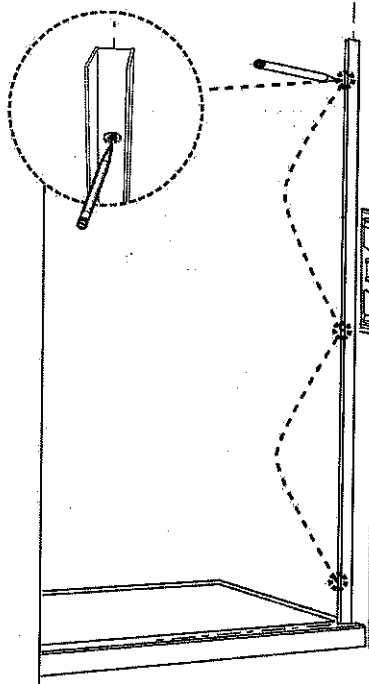
Fixed Panel/ U-Channel Assembly

*****FIXED PANEL MUST BE INSTALLED ON THE WALL OPPOSITE TO THE SHOWER FAUCET*****

2A



2B



2A. Temporarily place the bottom door guiding assembly (14) by centering it to the threshold on the base. Mark a center line on the base and wall from the fixed panel side of the bottom door guiding assembly (14). Place the Fixea panel profile (19) against the wall using the centerline. Use the slotted holes of Fixea panel profile (19) to center with the premarked line.

2B. Level the Fixea panel profile (19) and mark all three locations for drilling.

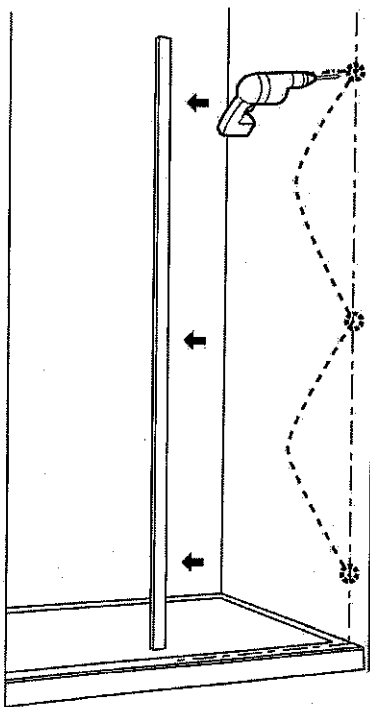
2C. Remove the Fixea panel profile (19) and drill a hole in each location with a 1/4" drill bit.

2D. Insert the wall plugs (7), then place a dab of silicone on each wall plug (7). Place the Fixea panel profile (19) against the wall and install the Fixea panel profile (19) by installing screws (8), and silicone outside the Fixea panel profile (19).

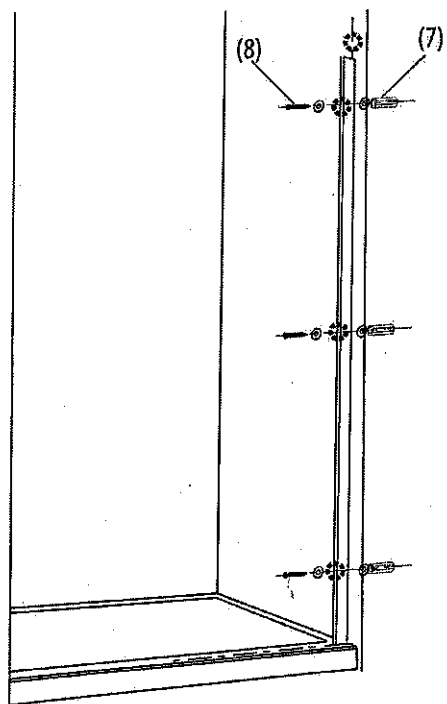
2E. Place the fixed panel clamp (13) along the bottom squared against the Fixea panel profile (19). Mark and drill holes for the fixed panel clamp (13). Install with the wall plugs (7), screws (8) and silicone.

It is highly recommended to have a supporting wall stud on both sides of the shower door. In the case of no wall studs, the minimum expected requirement is that wall plugs are used.
**The integrity of the door is not guaranteed with out the use of a wall stud.

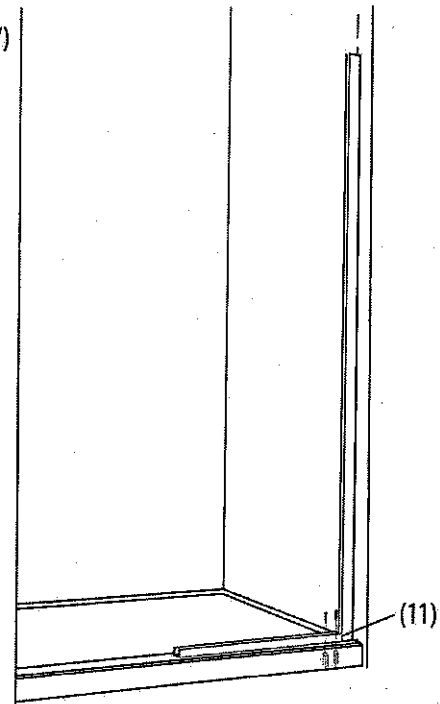
2C



2D



2E



PRODUCT SPECIFICATIONS ARE SUBJECT TO CHANGE WITHOUT NOTICE.

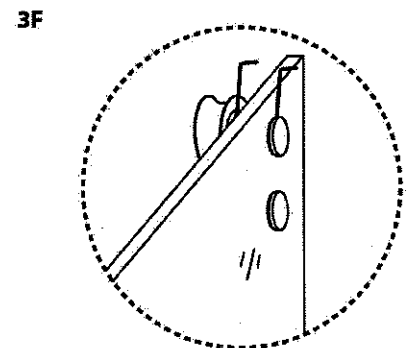
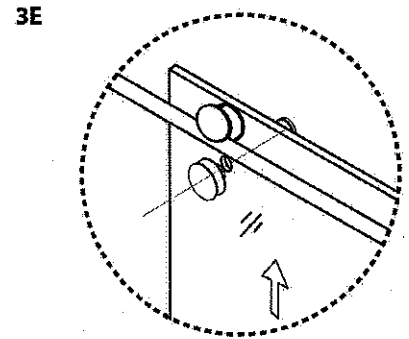
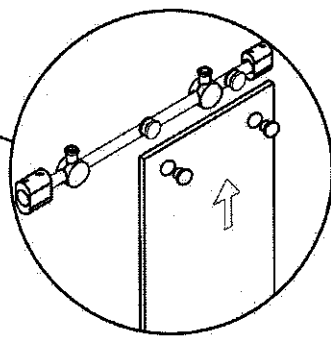
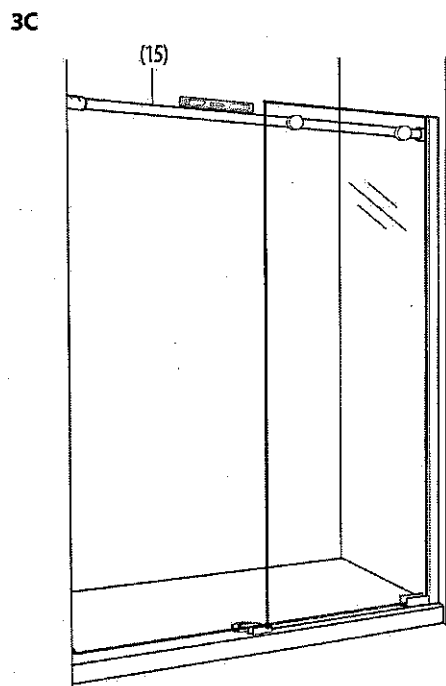
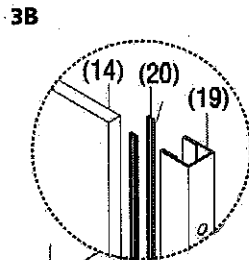
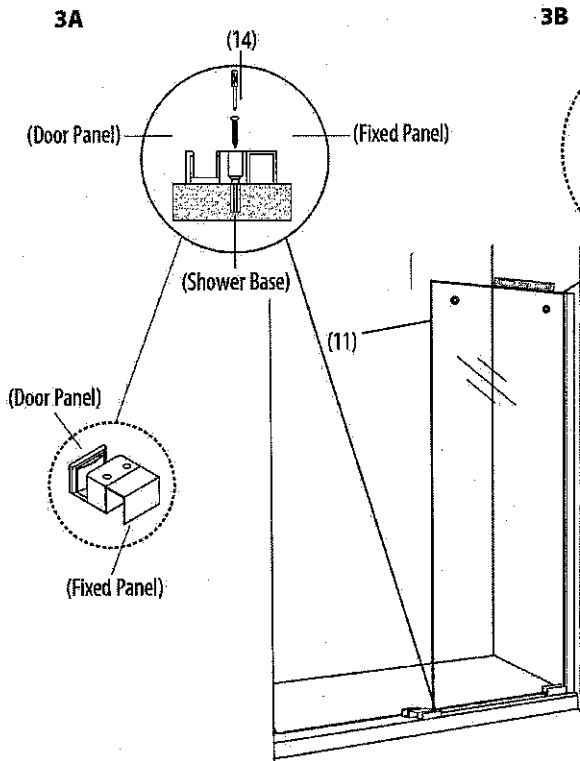
Dimensions of fixtures are approximate and may vary $\pm 6\text{mm}$ (1/4"). Structure measurements must be verified against the unit to ensure proper fit.



Door Panel / Fixed Panel Assembly

Installation Guide

SHOWER DOOR



- 3A. Place and secure the bottom door guiding assembly (14) to the base, align the fixed panel side to the marked center line. Mark and drill the holes for bottom door guiding assembly (14), install using wall plugs (7), screws (8), and silicone.
- 3B. Place the seal strip (20) on to the right side of the fixed panel (11). Slide the fixed panel (11) with the seal strip (20) into the Fixed Panel Profile (19).
- 3C. Place the circular bar (16) along the top with the fixed panel couplings (16) screwed on to the fixed panel (11) temporarily. Using a level, mark the wall joint assembly (15) for both ends, then remove the circular bar (16).
- 3C. Drill the marked holes for both wall joint assemblies (15) and install the wall joint assemblies (15).
- 3D. Install the circular bar (16) on the fixed panel (11) and fasten the circular bar to the wall joint assemblies (15).
- 3E. Install the door panel (6) with the previously installed rollers above the circular bar. Attach the bottom two rollers once you have mounted the door panel (6).
- 3F. Use the provided allen keys to make the adjustments to the doors. (The rollers are on cam's. By rotating the roller body, while holding the bracket in place, the door level and height can be adjusted.)

PRODUCT SPECIFICATIONS ARE SUBJECT TO CHANGE WITHOUT NOTICE.

Dimensions of fixtures are approximate and may vary $\pm 6\text{mm}$ (1/4"). Structure measurements must be verified against the unit to ensure proper fit.

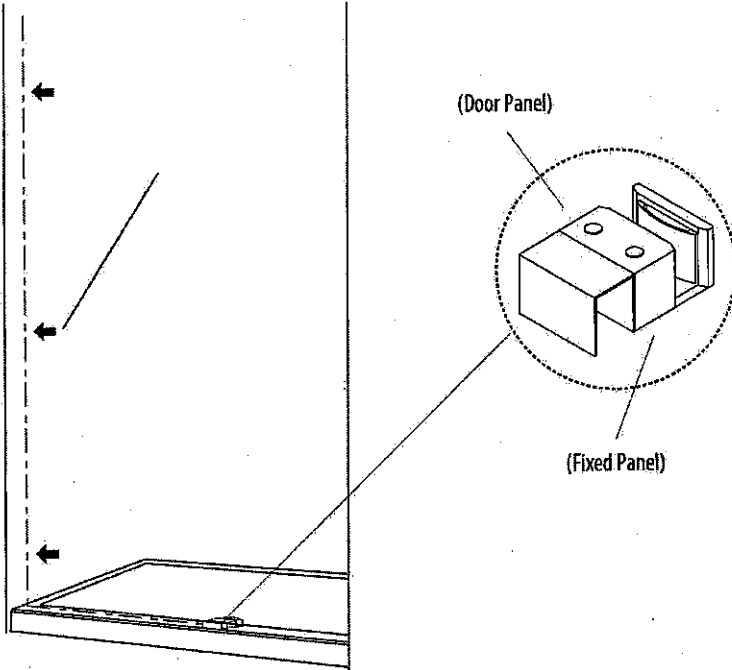


Installation Guide

SHOWER DOOR

Door Panel U-Channel Installation

4A



4A. From the bottom door guide assembly (1 4), mark a center line from the center of the door panel side to the wall.

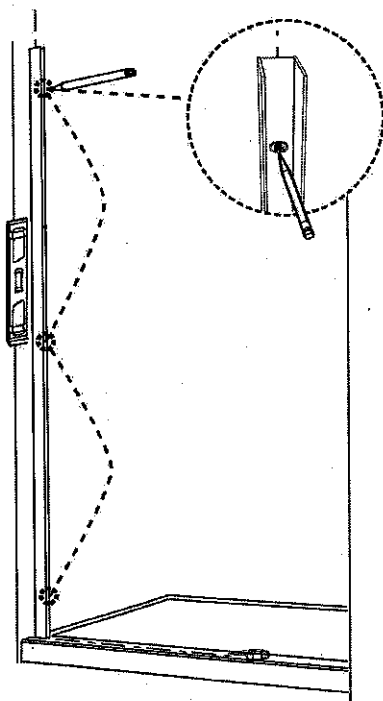
4B. Use the slotted holes of the U-channel (3) to center it with the premarked line. Level the U-Channel (3) and mark all three locations for drilling.

4C. Remove the U-Channel (3) and drill a hole in each location with a 1/4" drill bit.

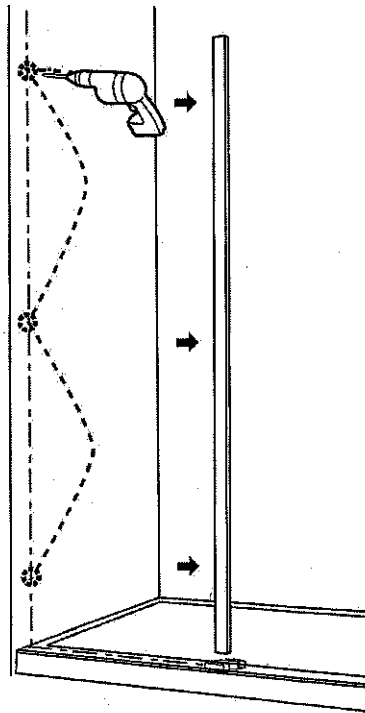
4D. Insert the wall plugs (7) (If required), place the U-Channel (3) against the wall and install the U-Channel (3) by inserting the screws (8) and silicone.

It is highly recommended to have a supporting wall stud on both sides of the shower door. In the case of no wall studs, the minimum expected requirement is that the wall plugs are used.*
*The integrity of the door is not guaranteed with out the use of a wall stud.

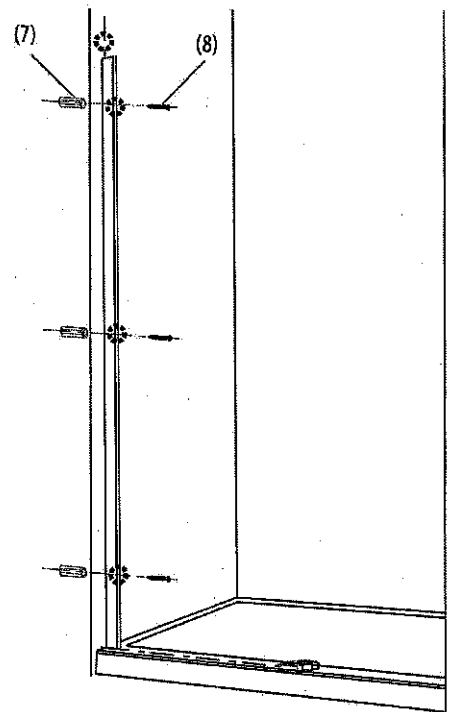
4B



4C



4D



PRODUCT SPECIFICATIONS ARE SUBJECT TO CHANGE WITHOUT NOTICE.

Dimensions of fixtures are approximate and may vary $\pm 6\text{mm}$ (1/4"). Structure measurements must be verified against the unit to ensure proper fit.

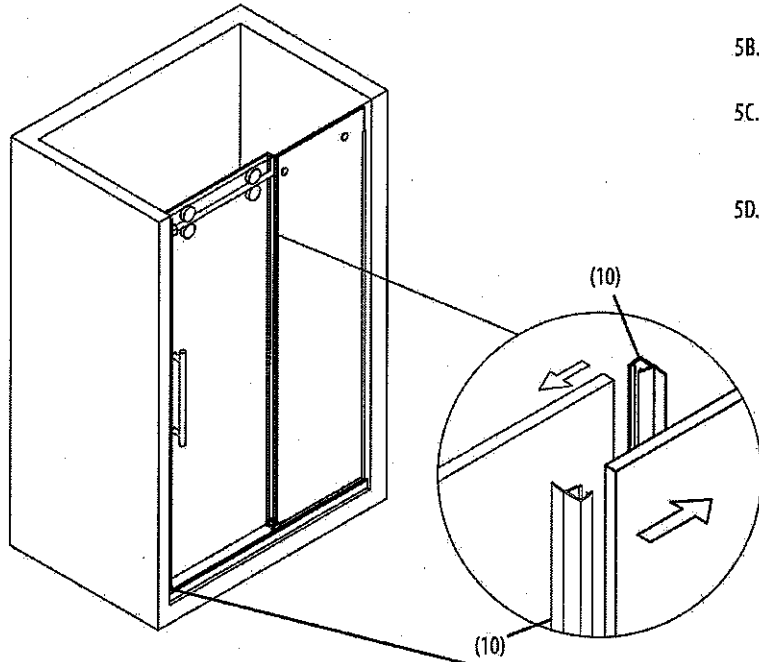


Installation Guide

SHOWER DOOR

Sealing / Gaskets

5A



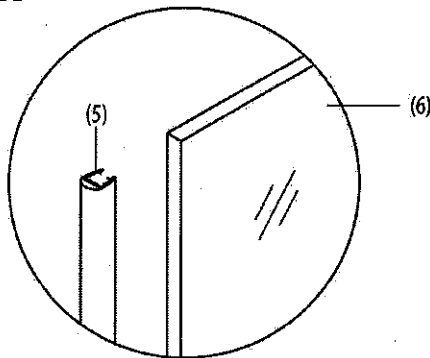
5A. Install the side seal gaskets (10) on both panels.

5B. Place the arched seal gasket (5) along the left side of the door panel (6).

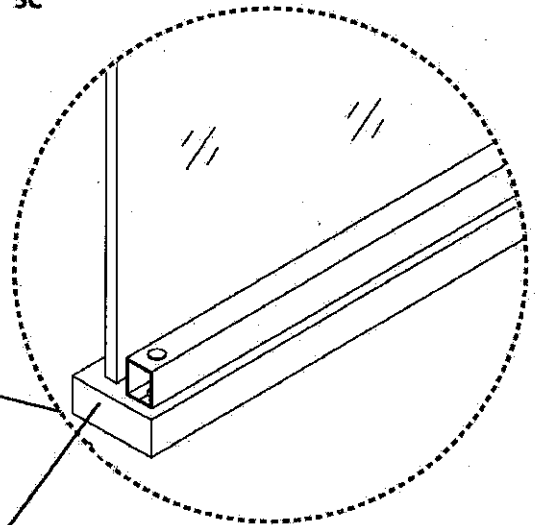
5C. To complete the installation, use clear silicone to adhere the threshold to the bottom base. Place threshold along the bottom. (Optional)

5D. Adjust the fixed panel side door stopper (17) to prevent door panel (6) from hitting the wall. Slide the door into a closed position joining the door panel (6) to the U-channel (3). Make adjustments to the second door stopper to set the door closing limit.

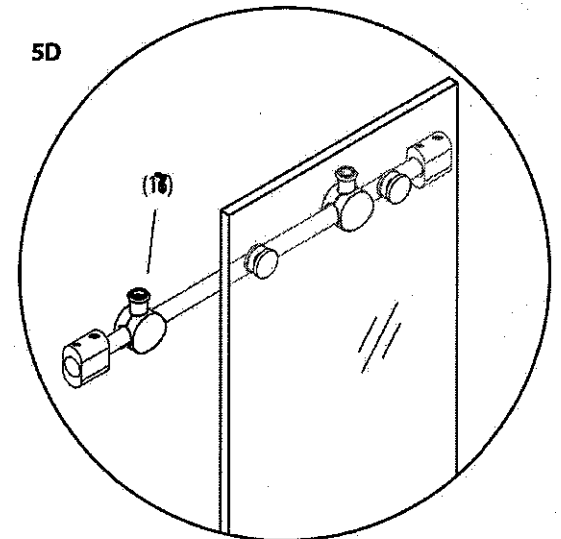
5B



5C

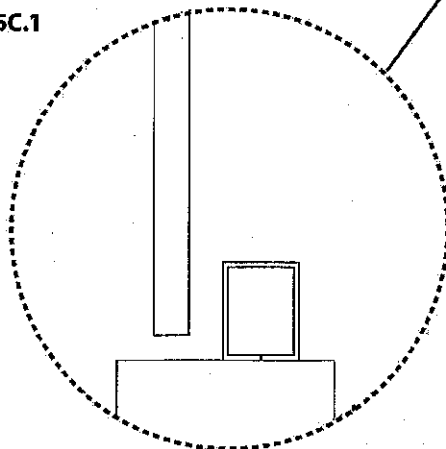


5D



(Side View)

5C.1



PRODUCT SPECIFICATIONS ARE SUBJECT TO CHANGE WITHOUT NOTICE.

Dimensions of fixtures are approximate and may vary $\pm 6\text{mm}$ (1/4"). Structure measurements must be verified against the unit to ensure proper fit.