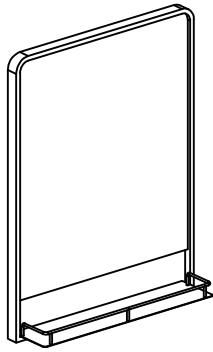




Questions?

PACKAGE CONTENTS



24"W x 5"D x 32"H



2" screws (x 2)



2" wall anchors (x 2)



screws (x 2)

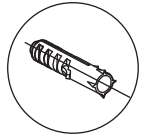
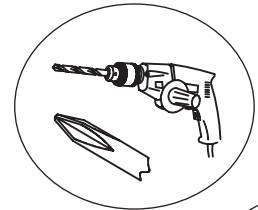
Mirror (x 1)

PREPARATION

Tools required for assembly (not included):

- tape measure
- electric drill with #2 drill bit
- level
- hammer
- (x 2) wall anchors - if the mirror will not be screwed to wall studs

Estimated installation time: 1/2 hour



⚠ WARNINGS & CAUTIONS

WARNING:

Two people are required for safe installation. Take extra precautionary measures to ensure a secure grip on the mirror when lifting.

CAUTION:

The bathroom wall must be finished prior to installation of the mirror.

CARE & MAINTENANCE

- To maintain the beauty of the mirror finish, avoid placing the mirror in direct sunlight.
- Avoid exposing the mirror to extreme temperatures by installing away from heat and air vents.
- Dust frequently with a clean, soft and dry cloth.
- Wipe away any water or liquid spills on the mirror immediately with a clean, soft and dry cloth.

INSTALLATION

1: Measure the distance between two mounting holes. Figure 1.

2: Drill two leveled holes on the wall and insert anchors into drilled holes. Figure 2.

3: Insert the screws into the anchors. Figure 3.

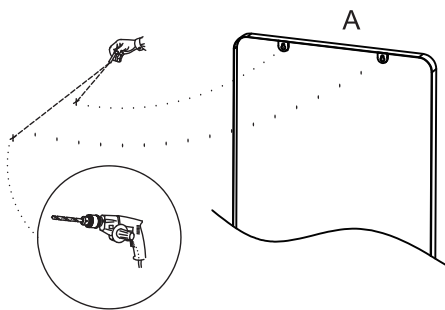


Figure 1

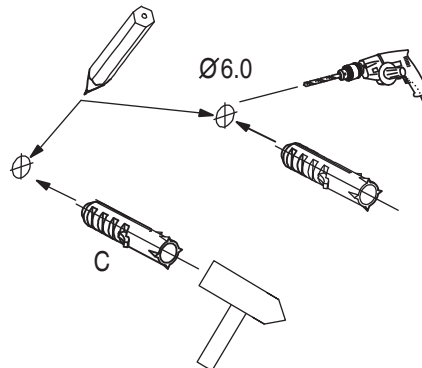


Figure 2

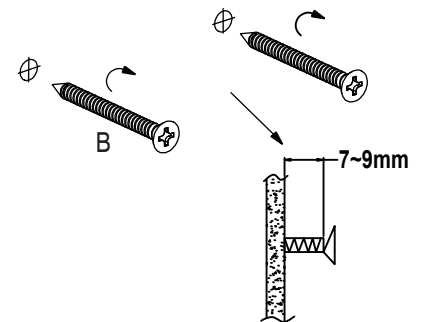


Figure 3

4: Fit the shelf onto the mirror. Figure 4.

5: Hang the mirror on the wall matching the screw's position. Figure 5.

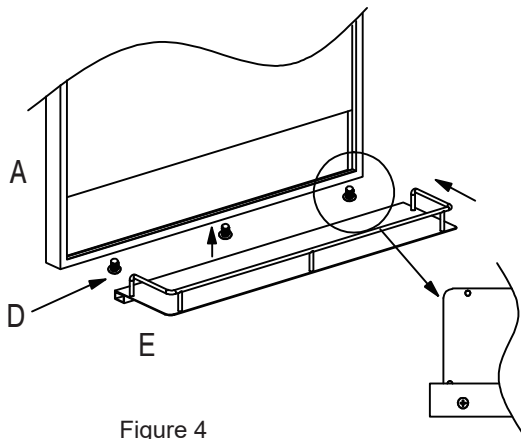


Figure 4

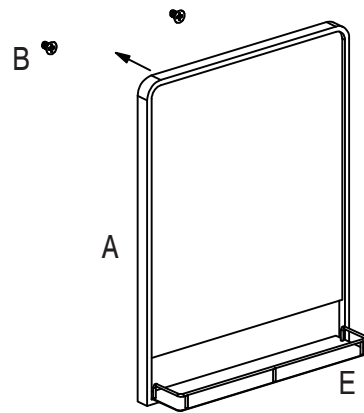


Figure 5

TROUBLESHOOTING

Problem:

Mirror is higher on one side than the other.

Possible Cause:

- 1) Mounting screws are not level.
- 2) Hanging hardware on the mirror is not level.

Corrective Action:

- 1) Remove the mirror from the wall and re-check the screws; adjust as needed.
- 2) Measure the position of the hanging hardware on the back of the mirror and ensure that it is level, adjust as needed.