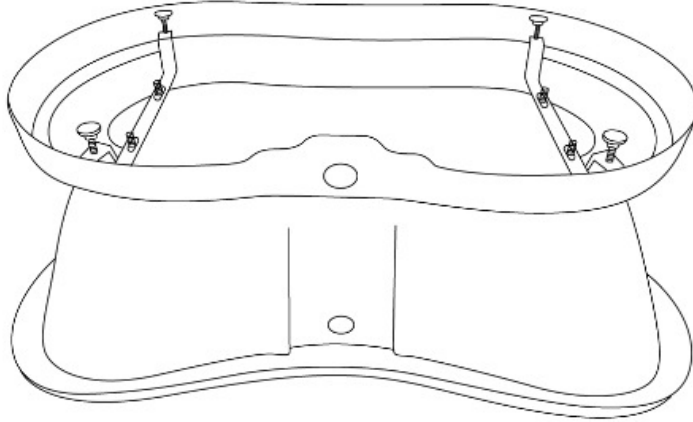
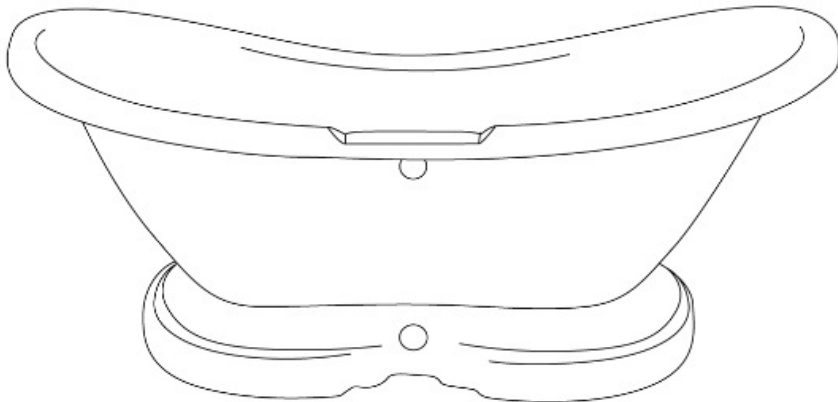


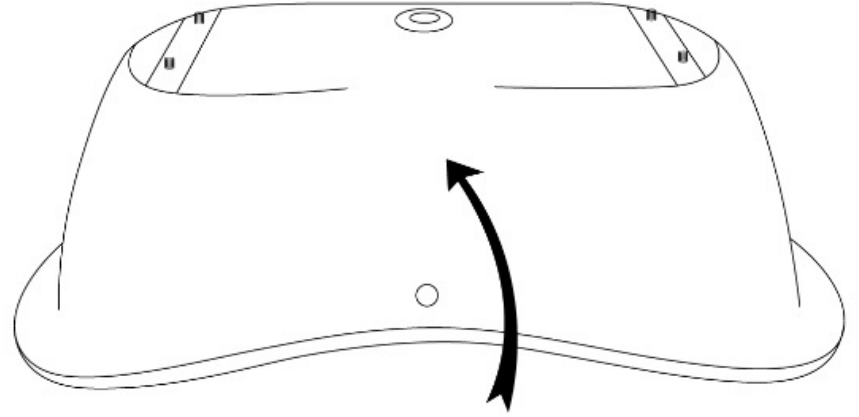
3 Please screw the nut tight with spanner.



4 Done.



1 Please turn over the bath and put it on the soft ground.



2 Please put the base on the tub, and then put the washer and the nuts onto the bolts.

