

## Box Contents:



**A** Bass Drum x1



**B** Floor Tom Drum x1



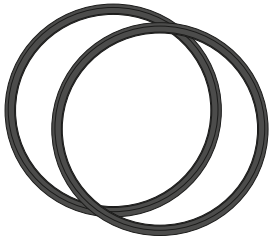
**C** Mid Tom Drum x1



**D** High Tom Drum x1



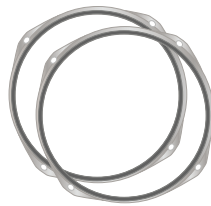
**E** Snare Drum x1



**F** Bass Rim x2



**G** Bass Drum Head x2



**H** Floor Tom Tension Rim x2



**I** Floor Tom Head x2



**J** Mid Tom Tension Rim x2



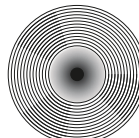
**K** Mid Tom Head x2



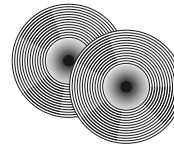
**L** High Tom Tension Rim x2



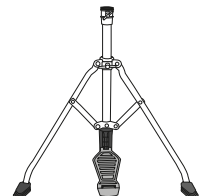
**M** High Tom Head x2



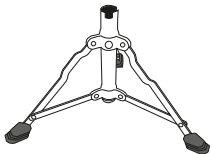
**N** Crash Cymbal x1



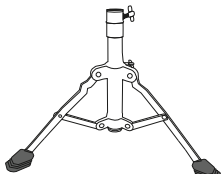
**O** Hi-Hat Cymbal x2



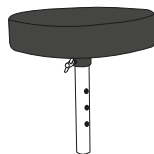
**P** Hi-Hat Cymbal Stand x1



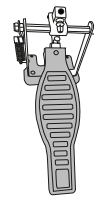
**Q** Stool Stand x1



**R** Snare Drum Stand x1



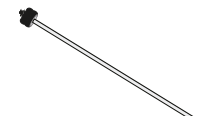
**S** Stool Seat x1



**T** Drum Pedal x1



**U** Floor Tom Leg x3



**V** Crash Cymbal Rod x1



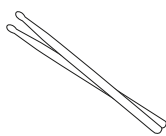
**W** Hi-Hat Inner Rod x1



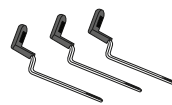
**X** Hi-Hat Outer Rod x1



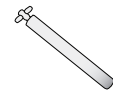
**Y** Tom Arm x1



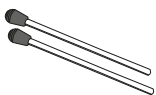
**Z** Drum Sticks x2



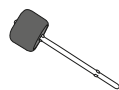
**a** Snare Drum Bracket x3



**b** Snare Drum Rod x1



**c** Bass Drum Spur x2



**d** Drum Beater x1



**e** Tension Bolt Claw x8



**f** Tension Bolt Large x8



**g** Tension Bolt Medium x8



**h** Tension Bolt Small With Washer x16



**i** Tension Bolt Key x1



**j** Seat Bolt x1



**k** Wing Nut Large x1

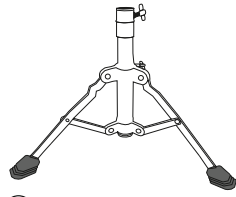


**l** Seat Bolt Washer x1



**m** Tension Bolt Washer x16

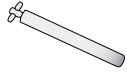
## Snare Drum Stand Assembly



(R) Snare Drum Stand x1

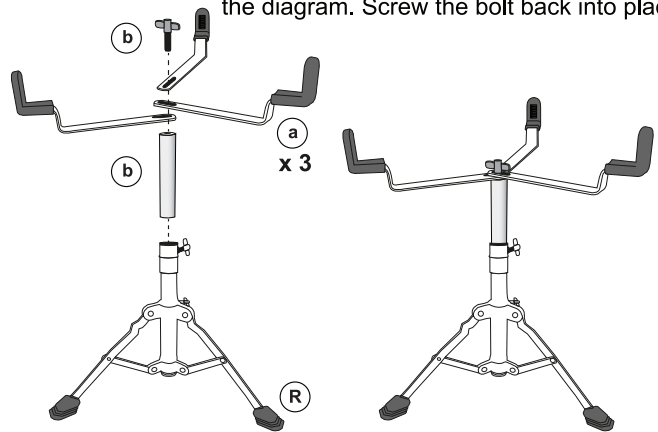


(a) Snare Drum Bracket x3

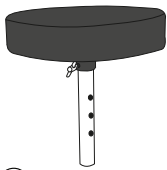


(b) Snare Drum Rod x1

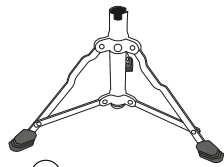
Unscrew the bolt from the snare drum rod. Place the snare drum rod into the stand and tighten. Position the brackets as shown in the diagram. Screw the bolt back into place.



## Stool Assembly



(S) Stool Seat x1



(Q) Stool Stand x1



(j) Seat Bolt x1

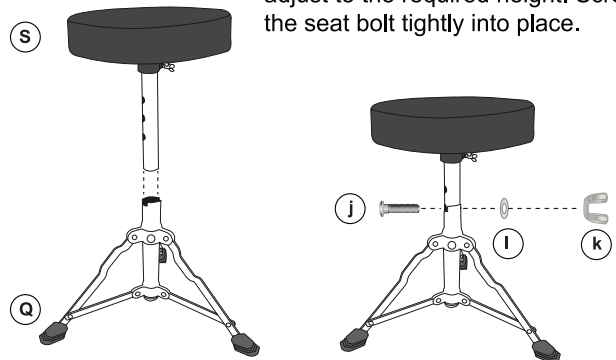


(k) Wing Nut Large x1

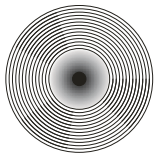


(l) Seat Bolt Washer x1

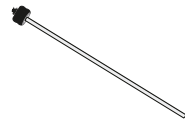
Place the seat into the stand and adjust to the required height. Screw the seat bolt tightly into place.



## Crash Cymbal Assembly



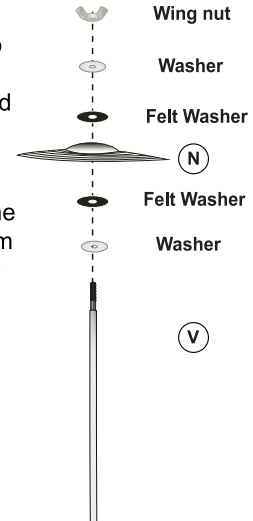
(N) Crash Cymbal x1



(V) Crash Cymbal Rod x1

Unscrew the wing nut from the rod and remove the top washer and felt washer. Place the cymbal on the rod on top of the felt washer and bottom washer.

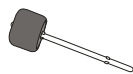
Place the top washers in the order shown on the diagram and tighten the cymbal into place using the small wing nut.



## Drum Pedal Assembly



(T) Drum Pedal x1

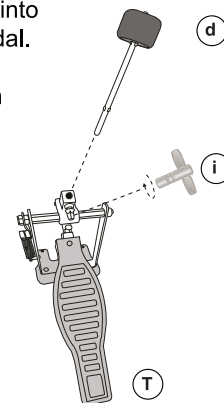


(d) Drum Beater x1



(i) Tension Bolt Key x1

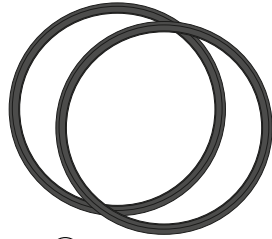
Place the drum beater into the top of the drum pedal. Tighten the beater into place using the tension bolt key.



## Bass Drum Assembly



(A) Bass Drum x1



(F) Bass Rim x2



(G) Bass Drum Head x2



(e) Tension Bolt Claw x8



(f) Tension Bolt Large x8

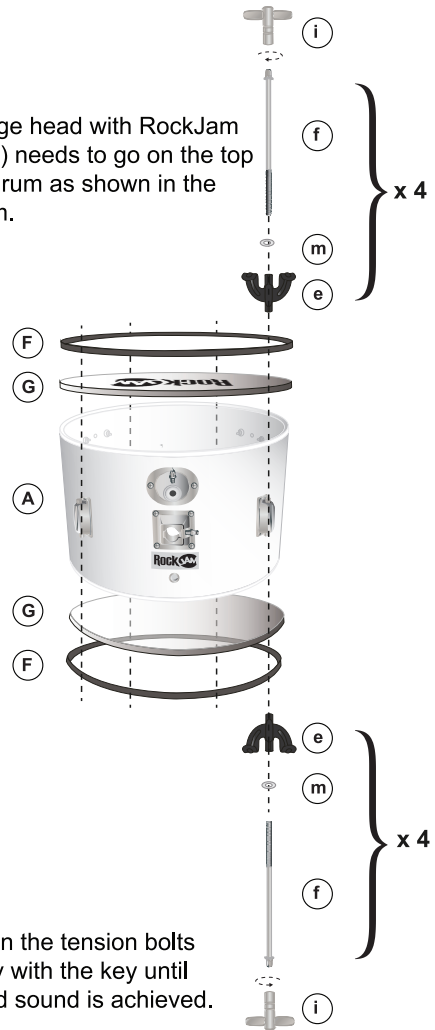


(i) Tension Bolt Key x1



(m) Tension Bolt Washer x8

The large head with RockJam logo (G) needs to go on the top of the drum as shown in the diagram.

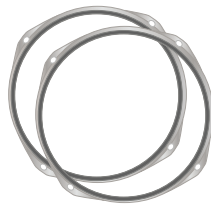


Tighten the tension bolts evenly with the key until a good sound is achieved.

## Floor Tom Drum Assembly



(B) Floor Tom Drum x1



(H) Floor Tom Tension Rim x2



(I) Floor Tom Head x2



(U) Floor Tom Leg x3



(g) Tension Bolt Medium x8

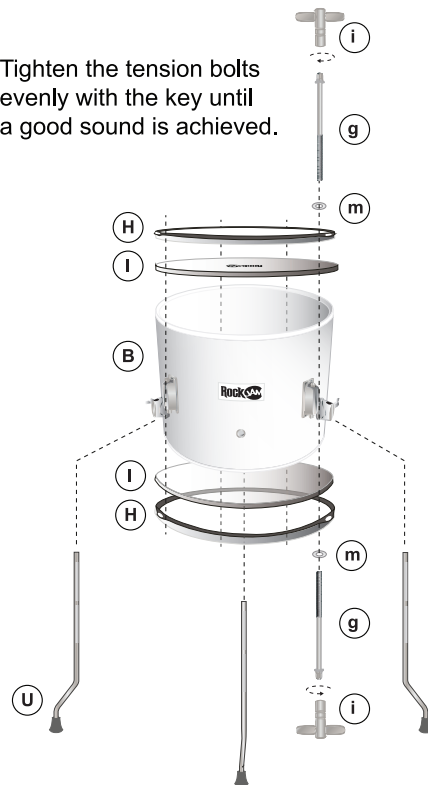


(i) Tension Bolt Key x1



(m) Tension Bolt Washer x8

Tighten the tension bolts evenly with the key until a good sound is achieved.

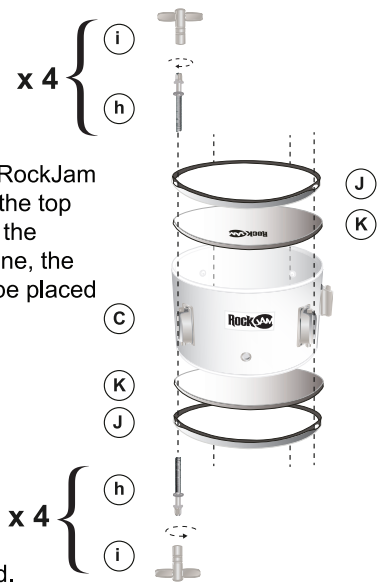


Place the Floor Tom Legs into the drum and secure into place by tightening the bolts by hand.

## Mid Tom Drum Assembly



The Mid Tom head with RockJam logo (K) needs to go on the top of the drum as shown in the diagram. Once this is done, the Tension Rim (J) should be placed on top to secure.

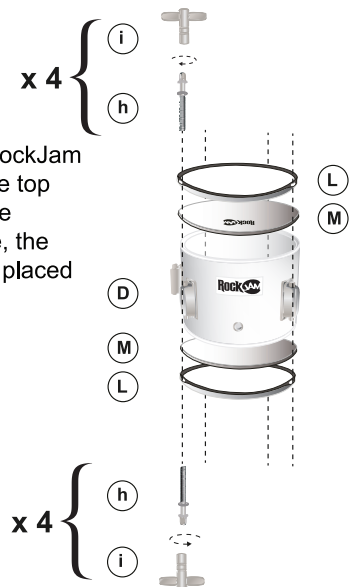


Tighten the tension bolts **x 4** evenly with the key until a good sound is achieved.

## High Tom Drum Assembly

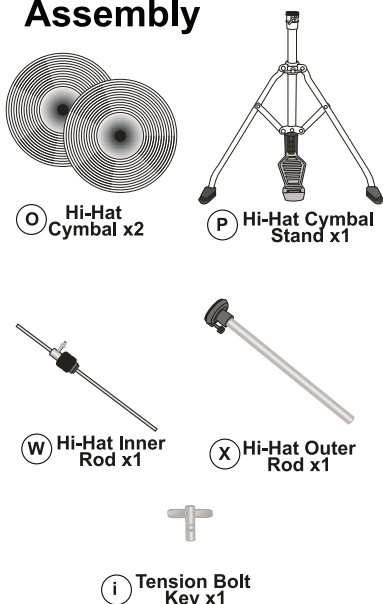


The High Tom head with RockJam logo (M) needs to go on the top of the drum as shown in the diagram. Once this is done, the Tension Rim (L) should be placed on top to secure.

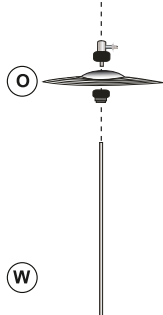


Tighten the tension bolts **x 4** evenly with the key until a good sound is achieved.

## Hi-Hat Cymbal Assembly



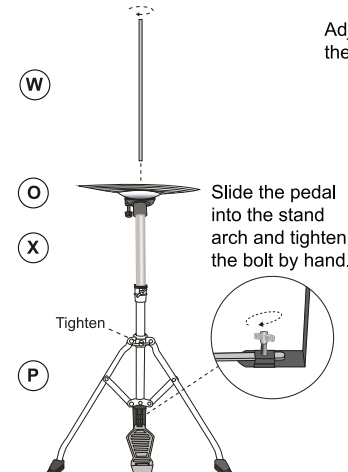
Slide the metal bolt, two felt washers and plastic nut from the inner rod (W).



Assemble the top cymbal (O) as shown.  
 Top metal bolt –  
 Felt washer –  
 Cymbal (O) –  
 Felt washer –  
 Plastic Nut.

Slide the Outer Rod (X) into the Stand (P) and then place the bottom cymbal (O) on top.

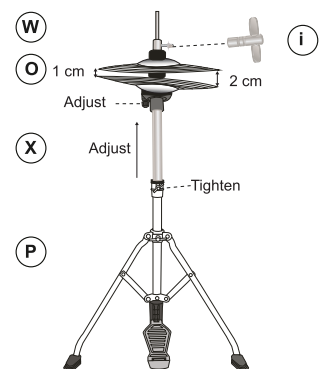
Slide the inner rod (W) inside the outer rod (X) and turn clockwise to secure in place.



Slide the top cymbal assembly (O) over the inner rod (W) and fix in place using the tension key (i).

Adjust the outer rod height so there is a 2cm gap between the cymbals and secure in place.

Adjust the bottom cymbal screw so that there is a slight slope as shown.

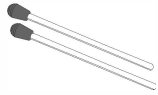


Adjust the stand legs so the pedal is flat on the floor, then tighten the stand bolt by hand.

## Final Assembly



Y Tom Arm x1



C Bass Drum Spur x2



i Tension Bolt Key x1

## Mid Tom Drum, High Tom Drum And Crash Cymbal

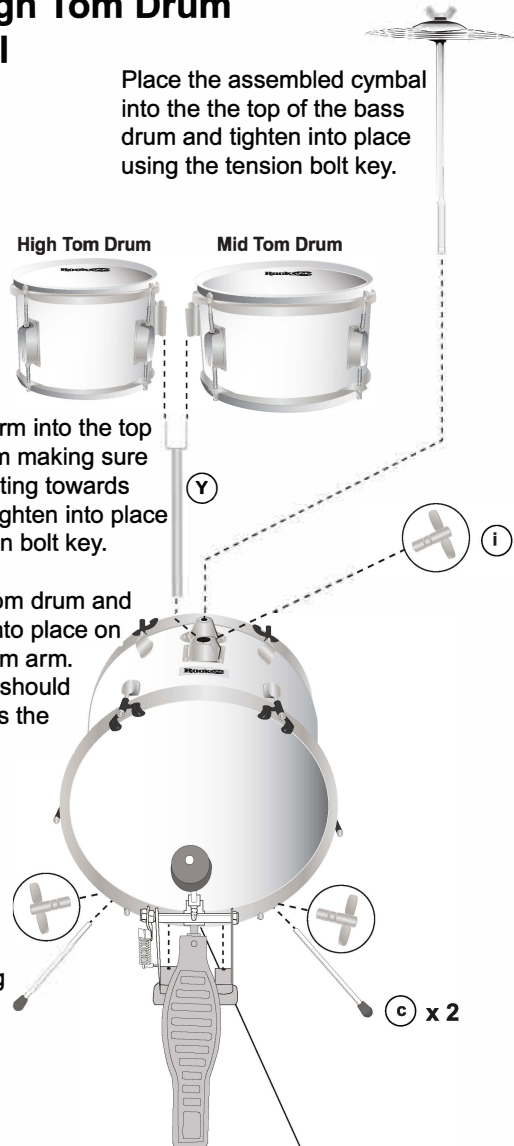
Place the assembled cymbal into the top of the bass drum and tighten into place using the tension bolt key.



Place the tom arm into the top of the bass drum making sure that the top is tilting towards the drummer. Tighten into place using the tension bolt key.

Slide the high tom drum and mid tom drum into place on the top of the tom arm. The tom drums should sit tilting towards the drummer.

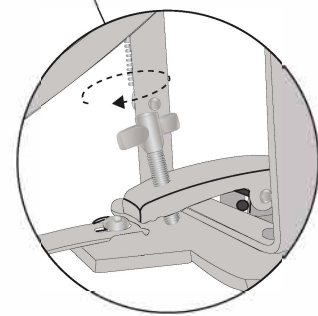
Place the bass drum spurs into the bottom of the bass drum and tighten into place using the tension bolt key.



## Snare Drum Sound Adjustment



To adjust the sound of the snare drum turn the black knob at the back of the drum until the preferred sound is achieved.



## Drum Pedal Attachment

Clip the assembled drum pedal onto the bass drum tension rim and fix in place by tightening the wing nut by hand.