

RockJAM



Full Sized Drum Kit- RJFSDK01 Assembly Information

Box Contents:

PRE-ASSEMBLED



A Bass Drum x1



B Floor Tom Drum x1



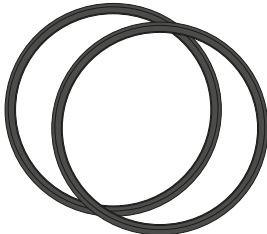
C Mid Tom Drum x1



D High Tom Drum x1



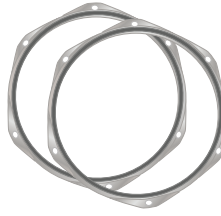
E Snare Drum x1



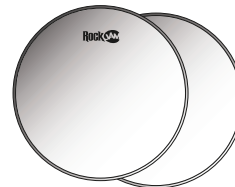
F Bass Rim x2



G Bass Drum Head x2



H Floor Tom Tension Rim x2



I Floor Tom Head x2



J Tension Bolt Key x1



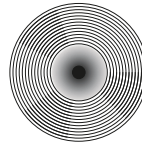
K Seat Bolt x1



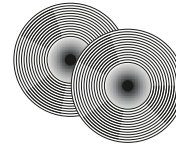
L Wing Nut Large x1



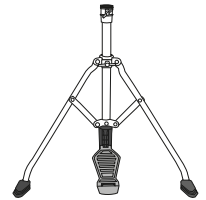
M Seat Bolt Washer x1



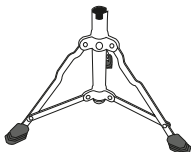
N Crash Cymbal x1



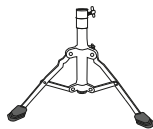
O Hi-Hat Cymbal x2



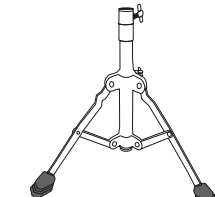
P Hi-Hat Stand x1



Q Stool Stand x1



R Snare Drum Stand x1



S Cymbal Stand x1



T Stool Seat x1



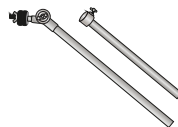
U Stool Seat x1



V Drum Pedal x1



W Floor Tom Leg x3



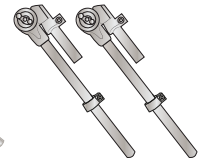
X Crash Cymbal Rod x1



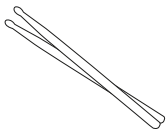
Y Hi-Hat Inner Rod x1



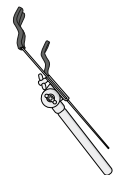
Z Hi-Hat Outer Rod x1



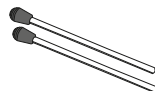
a Tom Arm x2



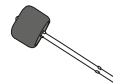
b Drum Sticks x2



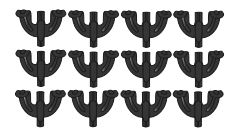
c Snare Drum Bracket x1



d Bass Drum Spur x2



e Drum Beater x1



f Tension Bolt Claw x12



g Tension Bolt Large x12

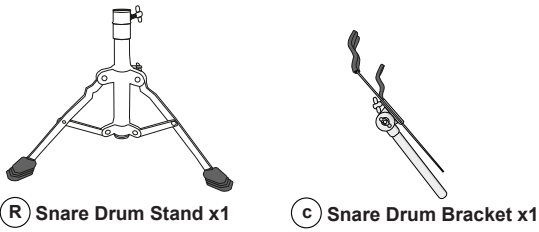


h Tension Bolt Small With Washer x12

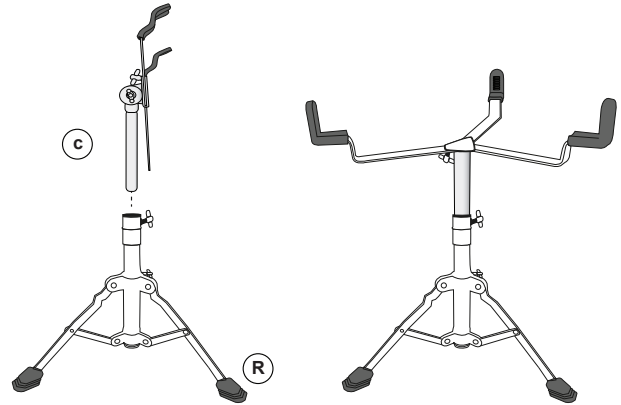
MISSING PARTS

If you find that you have any parts missing then please contact talktous@pdtuk.com. We will then send out the missing parts as our priority.

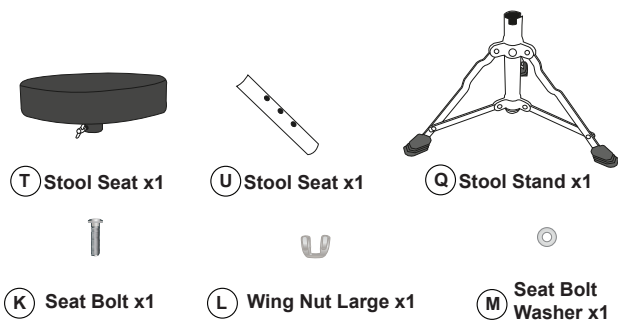
Snare Drum Stand Assembly



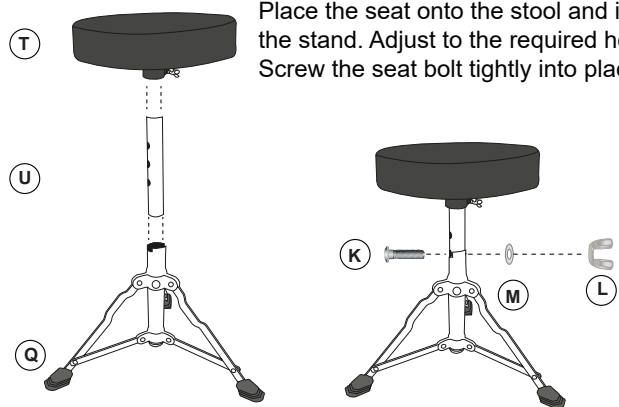
Unscrew the bolt on the snare drum bracket. Place the drum rod into the stand and tighten. Position the brackets as shown in the diagram. Screw the bolt back into place.



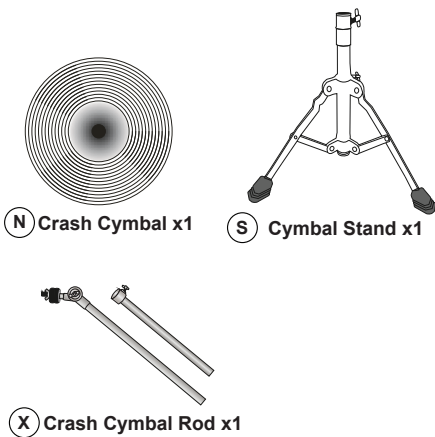
Stool Assembly



Place the seat onto the stool and into the stand. Adjust to the required height. Screw the seat bolt tightly into place.

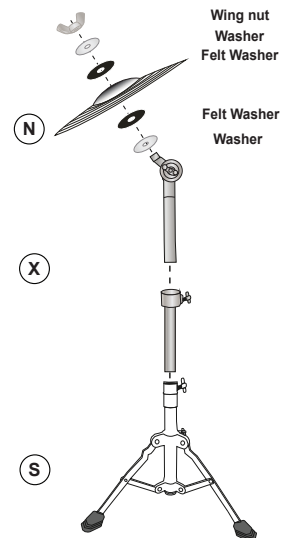


Crash Cymbal Assembly

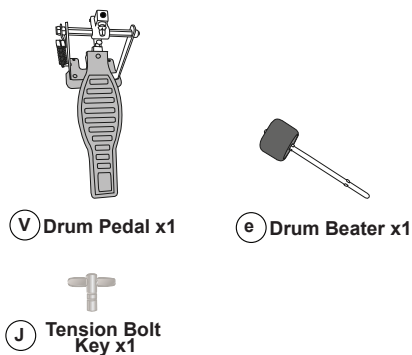


Unscrew the wing nut from the rod and remove the top washer and felt washer. Place the cymbal on the rod on top of the felt washer and bottom washer.

Place the top washers in the order shown on the diagram and tighten the cymbal into place using the small wing nut. Place the crash cymbal rod into the cymbal stand.

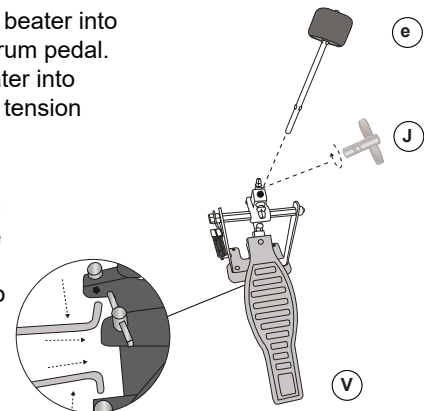


Drum Pedal Assembly



Place the drum beater into the top of the drum pedal. Tighten the beater into place using the tension bolt key.

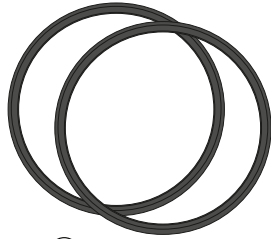
Pinch the metal poles under the pedal and slot into the holes to secure.



Bass Drum Assembly



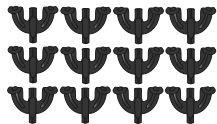
(A) Bass Drum x1



(F) Bass Rim x2



(G) Bass Drum Head x2



(f) Tension Bolt Claw x12

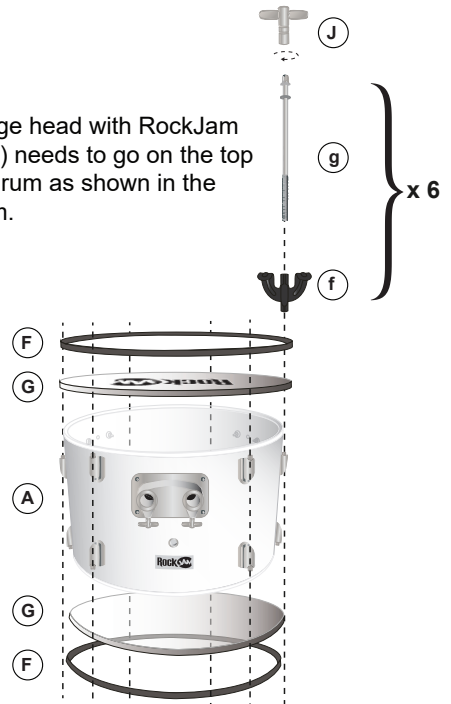


(g) Tension Bolt Large x12

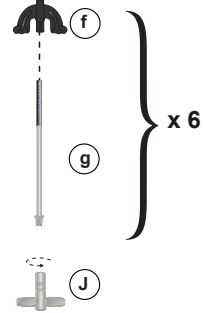


(J) Tension Bolt Key x1

The large head with RockJam logo (G) needs to go on the top of the drum as shown in the diagram.



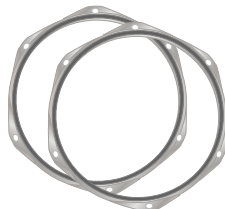
Tighten the tension bolts evenly with the key until a good sound is achieved.



Floor Tom Drum Assembly



(B) Floor Tom Drum x1



(H) Floor Tom Tension Rim x2



(I) Floor Tom Head x2



(W) Floor Tom Leg x3

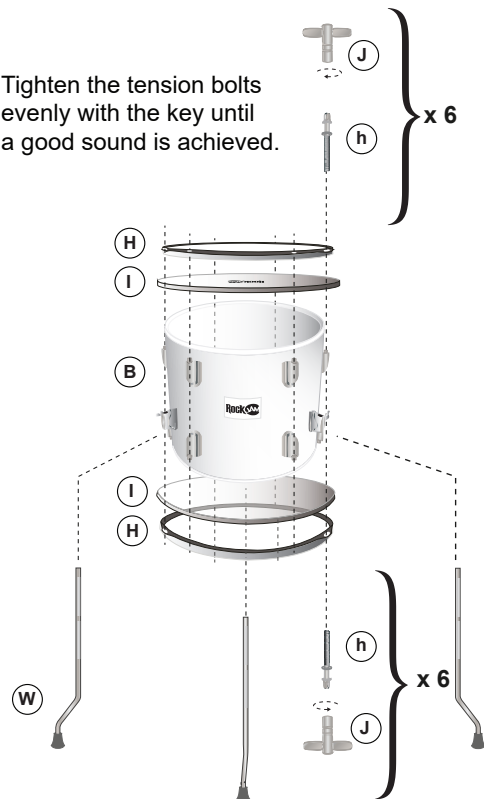


(h) Tension Bolt Small With Washer x12



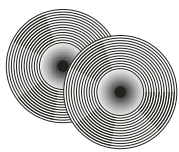
(J) Tension Bolt Key x1

Tighten the tension bolts evenly with the key until a good sound is achieved.



Place the Floor Tom Legs into the drum and secure into place by tightening the bolts by hand.

Hi-Hat Cymbal Assembly



O Hi-Hat Cymbal x2



P Hi-Hat Cymbal Stand x1

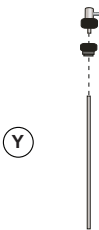


Y Hi-Hat Inner Rod x1

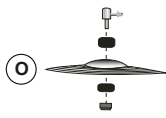


Z Hi-Hat Outer Rod x1

Slide the metal bolt, two felt washers and plastic nut off the inner rod (Y).



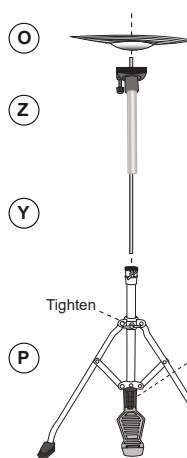
Separately place the top cymbal in between the bolts and washers and secure.



Assemble the top cymbal (O) as shown.
Top metal bolt –
Felt washer –
Cymbal (O) –
Felt washer –
Plastic Nut.

Slide the Inner Rod (Y) into the Stand (P) and then place the Outer Rod (Z) on top.

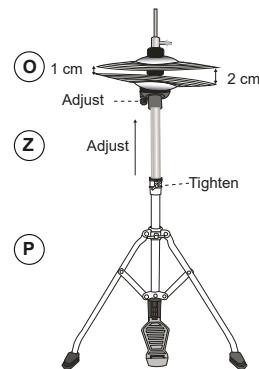
Slide the bottom Cymbal (O) over the Inner rod (Y) and place onto the Outer Rod (Z).



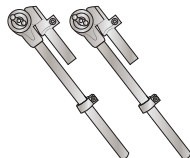
Adjust the stand legs so the pedal is flat on the floor, then tighten the stand bolt by hand.

Place the top cymbal piece onto the inner rod. Adjust the outer rod height so there is a 2cm gap between the cymbals and secure in place.

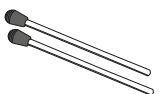
Adjust the bottom cymbal screw so that there is a slight slope as shown.



Final Assembly



a Tom Arm x2



d Bass Drum Spur x2

Mid Tom Drum and High Tom Drum

Place the 2 x tom arms into the top of the bass drum making sure that the top is tilting towards the drummer. Tighten into place.

Slide the high tom drum and mid tom drum into place on the top of the tom arms. The tom drums should sit tilting towards the drummer.

High Tom Drum



D

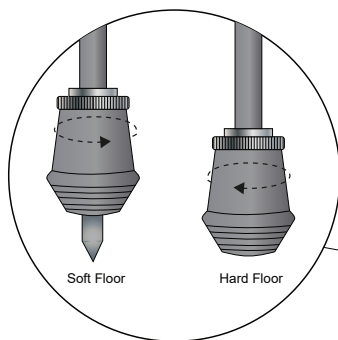
Mid Tom Drum



C

a x 2

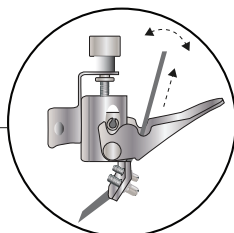
Place the bass drum spurs into the bottom of the bass drum and tighten into place. The bottom of the spurs can be adjusted for hard or soft coverings.



Soft Floor

Hard Floor

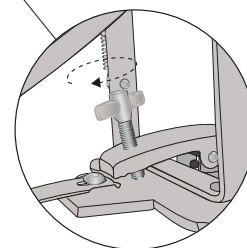
Snare Drum Sound Adjustment



To adjust the sound of the snare drum pull the plastic tab at the side of the drum until the preferred sound is achieved.

Drum Pedal Attachment

Clip the assembled drum pedal onto the bass drum tension rim and fix in place by tightening the wing nut by hand.



d x 2