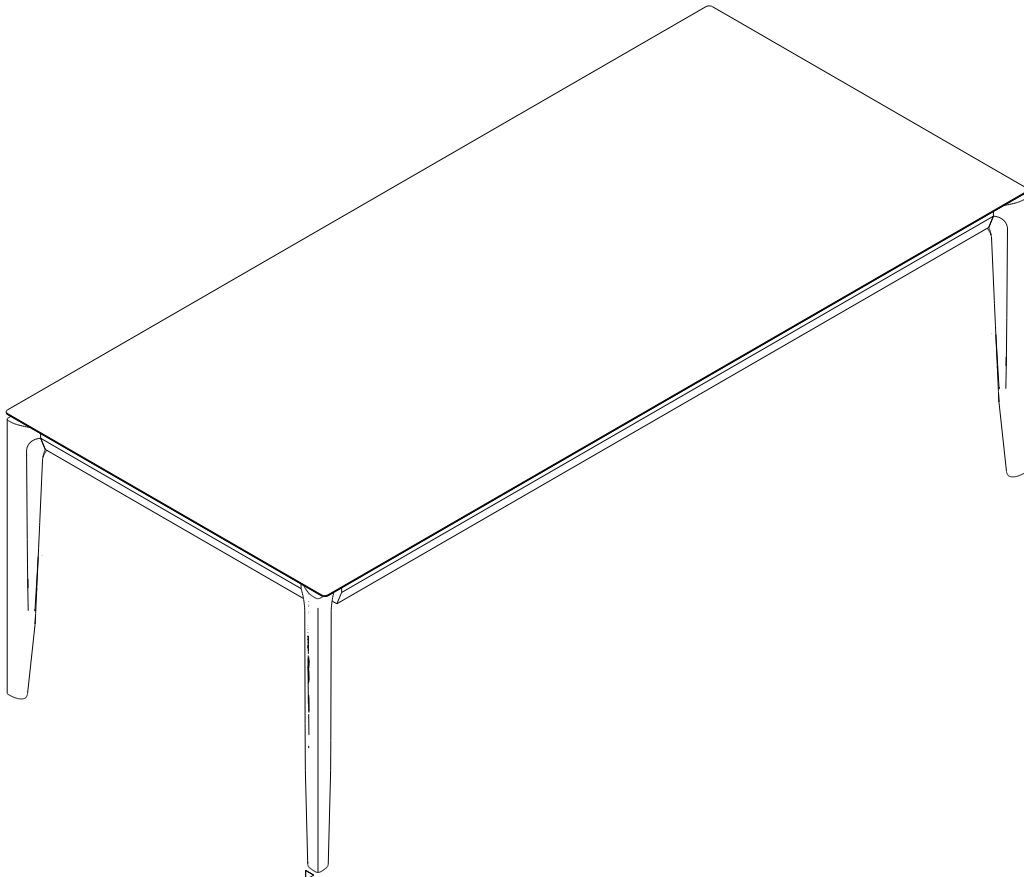


# Ethnicraft

## ASSEMBLY INSTRUCTIONS FOR TABLE INSTALLATION

### OAK BOK DINING TABLE

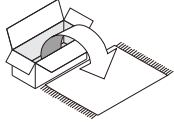
CODE	DESCRIPTION
<b>NATURAL FINISHING</b>	
51495	OAK BOK DINING TABLE 160/80/76
51496	OAK BOK DINING TABLE 180/90/76
51497	OAK BOK DINING TABLE 200/95/76
51498	OAK BOK DINING TABLE 220/95/76
51499	OAK BOK DINING TABLE 240/100/76
51500	OAK BOK DINING TABLE 140/80/76
<b>BLACK FINISHING</b>	
51505	OAK BOK BLACK DINING TABLE 160/80/76
51506	OAK BOK BLACK DINING TABLE 180/90/76
51507	OAK BOK BLACK DINING TABLE 200/95/76
51508	OAK BOK BLACK DINING TABLE 220/95/76
51509	OAK BOK BLACK DINING TABLE 240/100/76
51511	OAK BOK BLACK DINING TABLE 140/80/76
<b>BROWN FINISHING</b>	
51555	OAK BOK BROWN DINING TABLE 140/80/76
51556	OAK BOK BROWN DINING TABLE 160/80/76
51557	OAK BOK BROWN DINING TABLE 180/90/76
51558	OAK BOK BROWN DINING TABLE 200/95/76
51559	OAK BOK BROWN DINING TABLE 220/95/76
51560	OAK BOK BROWN DINING TABLE 240/100/76



## OAK BOK DINING TABLE ASSEMBLY INSTRUCTIONS FOR DINING TABLE INSTALLATION



### NOTE



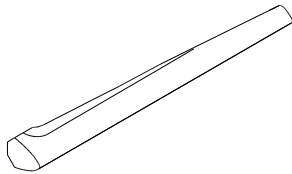
- CAREFULLY OPEN THE CARTON,
- REMOVE CONTENTS AND LAY OUT ON CARPET OR THE PACKAGING CARTON BOX OR OTHER PROTECTIVE SURFACE TO AVOID DAMAGE.
- CHECK PACKAGE CONTENTS TO ASSURE ALL THE NECESSARY HARDWARE AND PARTS ARE RECEIVED UNDAMAGED.
- DO NOT USE DAMAGE OR DEFECTIVE PARTS/HARDWARE.
- CONTACT ETHNICRAFT FOR ANY MISSING PART AND /OR HARDWARE.



- READ THE ASSEMBLY INSTRUCTION BEFORE INSTALLATION AND CAREFULLY FOLLOW THE INSTRUCTION GIVEN.
- SEEK THE ADVICE OF A PROFESSIONAL IF YOU ARE NOT FAMILIAR WITH THESE INSTALLATIONS OR HAVE ANY DOUBTS ABOUT THE SAFETY OF THIS INSTALLATION.



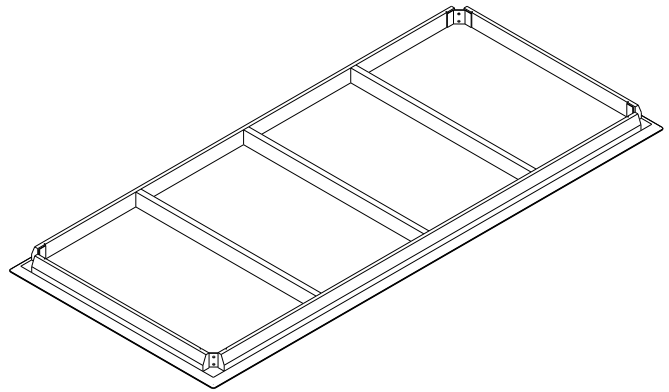
- IT IS ADVISABLE TO DO THIS ASSEMBLY WITH MINIMUM OF 2 PERSONS.



### (B) LEG 4 pieces

CODE	DESCRIPTION
<b>NATURAL FINISHING</b>	
P4678	LEG FOR 80, 90, 95 DEPTH
P4651	LEG FOR 100 DEPTH
<b>BLACK FINISHING</b>	
P4685	LEG - BLACK FOR 80, 90, 95 DEPTH
P4691	LEG - BLACK FOR 100 DEPTH
<b>BROWN FINISHING</b>	
P4800	LEG - BROWN FOR 80, 90, 95 DEPTH
P4801	LEG - BROWN FOR 100 DEPTH

### PARTS TO ASSEMBLE



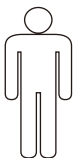
### (A) TABLE TOP 1piece

CODE	DESCRIPTION
<b>NATURAL FINISHING</b>	
P4680	TABLE TOP 160x80
P4681	TABLE TOP 180x90
P4471	TABLE TOP 200x95
P4682	TABLE TOP 220x95
P4683	TABLE TOP 240x100
P4679	TABLE TOP 140x80
<b>BLACK FINISHING</b>	
P4687	TABLE TOP - BLACK 160x80
P4555	TABLE TOP - BLACK 180x90
P4688	TABLE TOP - BLACK 200x95
P4689	TABLE TOP - BLACK 220x95
P4690	TABLE TOP - BLACK 240x100
P4686	TABLE TOP - BLACK 140x80
<b>BROWN FINISHING</b>	
P4794	TABLE TOP - BROWN 140x80
P4795	TABLE TOP - BROWN 160x80
P4796	TABLE TOP - BROWN 180x90
P4797	TABLE TOP - BROWN 200x95
P4798	TABLE TOP - BROWN 220x95
P4799	TABLE TOP - BROWN 240x100

### SYMBOLS

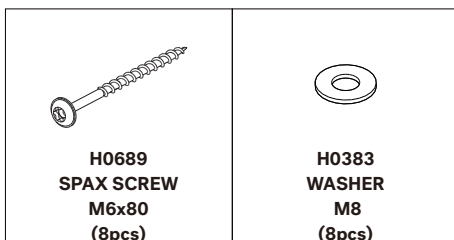


DIRECTION



NUMBER OF PERSONS NEEDED

### HARDWARE ENCLOSED



**H0689**  
**SPAX SCREW**  
**M6x80**  
**(8pcs)**



**H0383**  
**WASHER**  
**M8**  
**(8pcs)**

### TOOL

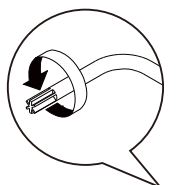
(Included in packaged)



**H0893**  
**TORX ALLEN KEY**  
**(1pc)**

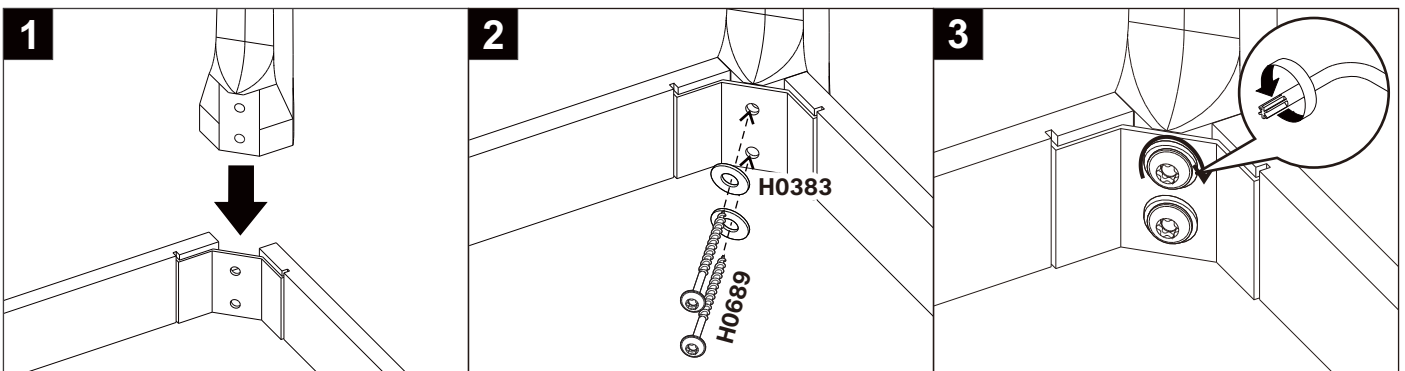
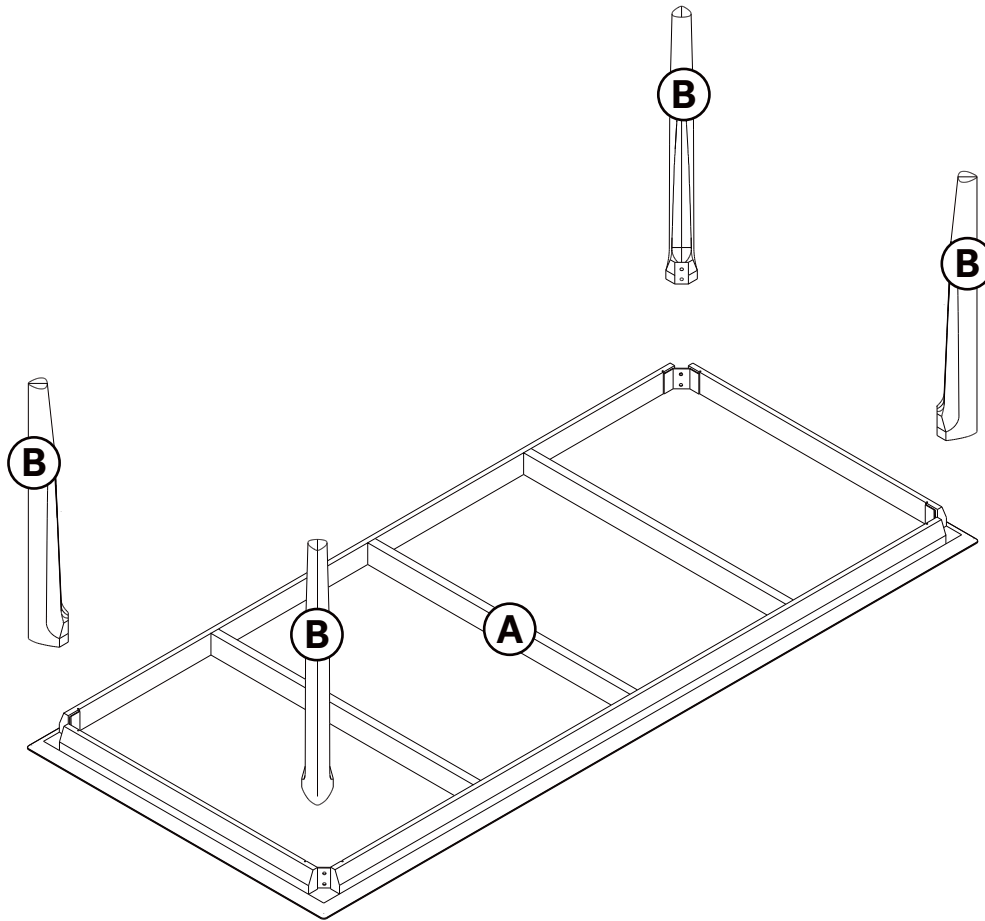


USE HAND



USE TORX ALLEN KEY TO TIGHTEN

CONNECTING THE LEGS AND THE TABLE TOP



- DO NOT TIGHTEN SCREWS TOO MUCH INITIALLY
- TO BE CHECKED AND RE-ADJUSTED AFTER 15 DAYS OF USE
- REPEAT STEPS 1-3 ON REMAINING LEGS