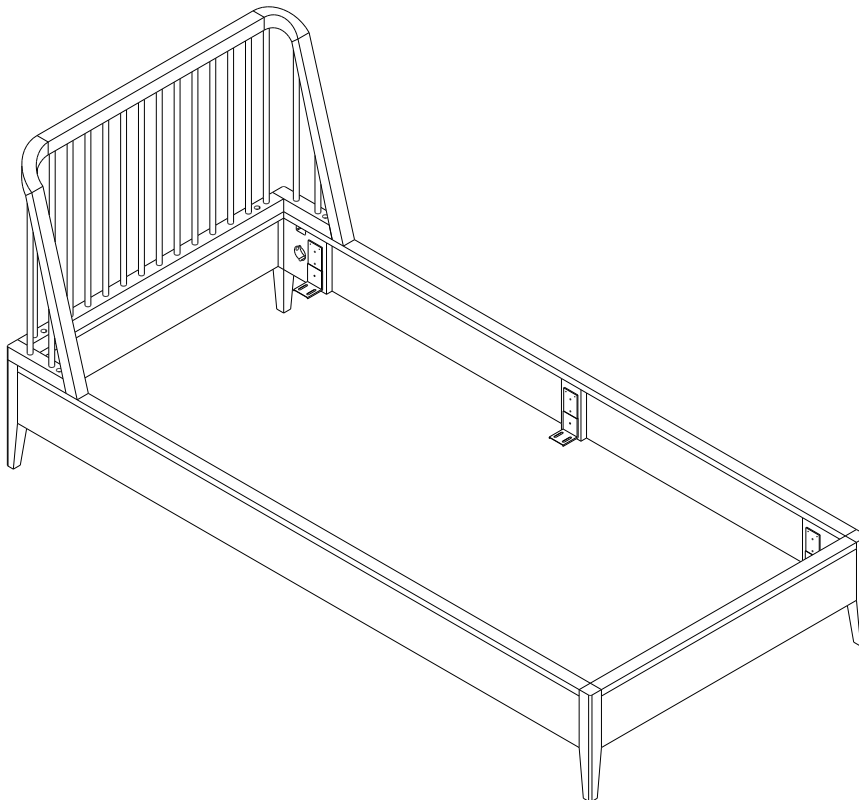


Ethnicraft

ASSEMBLY INSTRUCTIONS FOR BED INSTALLATION

SPINDLE BED - WITHOUT SLATS

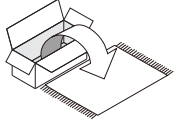
CODE	DESCRIPTION
51251	OAK SPINDLE BED - WITHOUT SLATS 90/200/97





51251 OAK SPINDLE BED - WITHOUT SLATS ASSEMBLY INSTRUCTIONS FOR BED INSTALLATION

NOTE



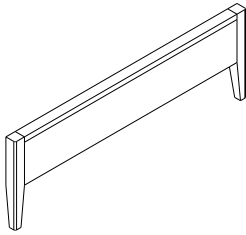
- CAREFULLY OPEN THE CARTON,
- REMOVE CONTENTS AND LAY OUT ON CARPET OR THE PACKAGING CARTON BOX OR OTHER PROTECTIVE SURFACE TO AVOID DAMAGE.
- CHECK PACKAGE CONTENTS TO ASSURE ALL THE NECESSARY HARDWARE AND PARTS ARE RECEIVED UNDAMAGED.
- DO NOT USE DAMAGE OR DEFECTIVE PARTS/HARDWARE.
- CONTACT ETHNICRAFT FOR ANY MISSING PART AND /OR HARDWARE.



- READ THE ASSEMBLY INSTRUCTION BEFORE INSTALLATION AND CAREFULLY FOLLOW THE INSTRUCTION GIVEN.
- SEEK THE ADVICE OF A PROFESSIONAL IF YOU ARE NOT FAMILIAR WITH THESE INSTALLATIONS OR HAVE ANY DOUBTS ABOUT THE SAFETY OF THIS INSTALLATION.



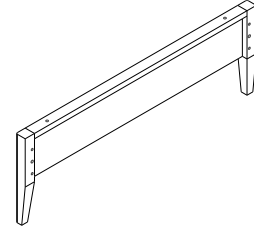
- IT IS ADVISABLE TO DO THIS ASSEMBLY WITH MINIMUM OF 2 PERSONS.



C FOOTBOARD 1piece

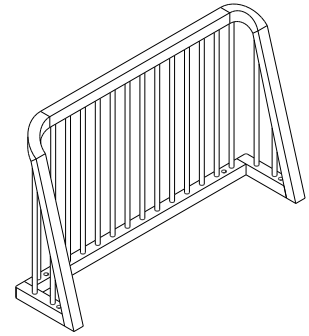
CODE	DESCRIPTION
P4950	FOOTBOARD

PARTS TO ASSEMBLE



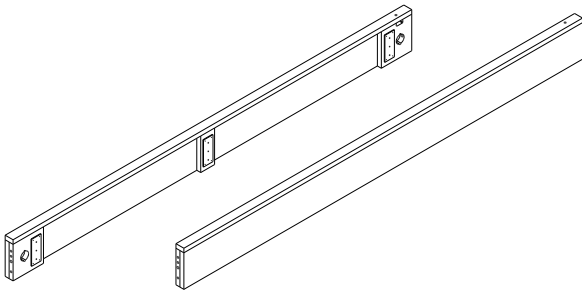
A HEADBOARD 1piece

CODE	DESCRIPTION
P4949	HEADBOARD



B BED HEAD 1piece

CODE	DESCRIPTION
P4948	BED HEAD



D SIDE RAIL 1set (left & right)

CODE	DESCRIPTION
P4827	SIDERAIL

51251 OAK SPINDLE BED - WITHOUT SLATS ASSEMBLY INSTRUCTIONS FOR BED INSTALLATION

HARDWARE ENCLOSED

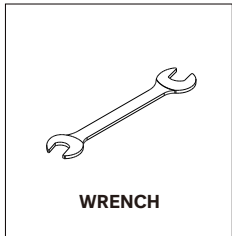
<p>H3002 HALFMOON HARDWARE SET (4set)</p>	<p>H2146 NUT M8 (4pcs)</p>	<p>H2145 SCREW M6x70 (2pcs)</p>	<p>H0836 SCREW M6x50 (2pcs)</p>	<p>H2017 JCBC SCREW M6x6 (6pcs)</p>
<p>H0829 LONG NUT M6 (2pcs)</p>	<p>H0696 WASHER M6 (2pcs)</p>	<p>H2016 L BRACKET (6pcs)</p>	<p>H0611 DOWEL Ø12x40 mm (12pcs)</p>	<p>H0638 DOWEL Ø10x30 mm (5pcs)</p>

TOOL ENCLOSED



TOOL

(Not included in packaged)



SYMBOLS



DIRECTION



NUMBER OF
PERSONS NEEDED



USE HAND



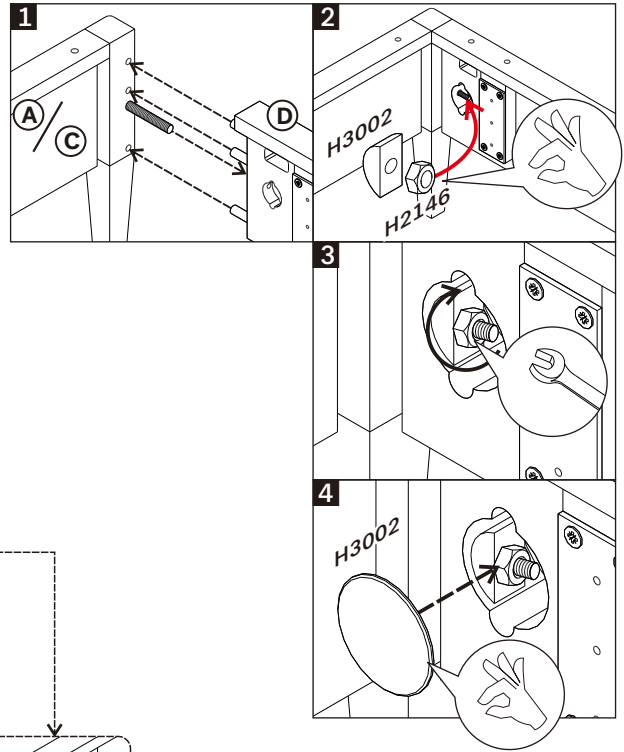
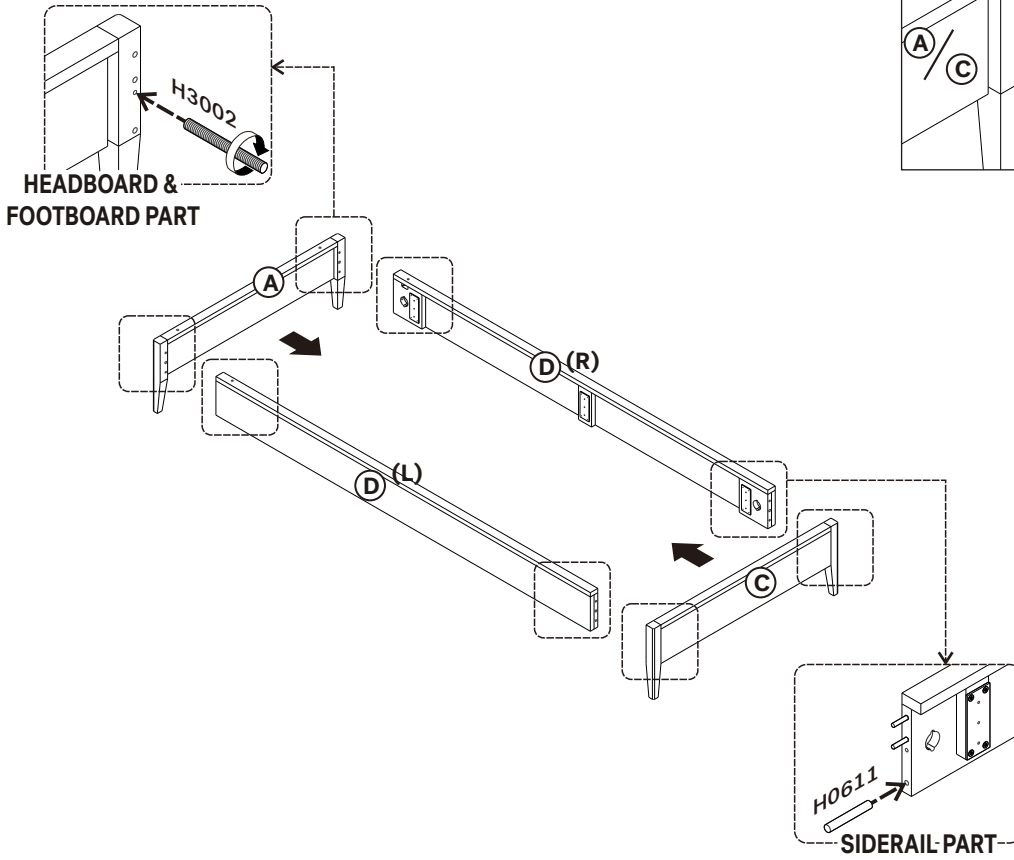
USE WRENCH
TO TIGHTEN



USE L KEY
TO TIGHTEN

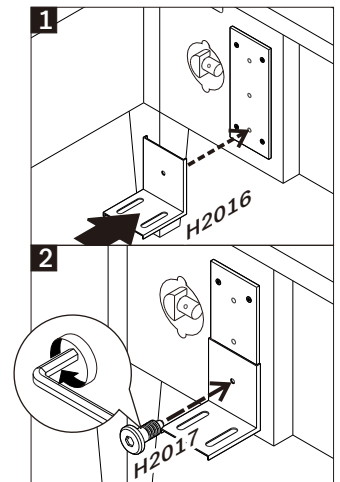
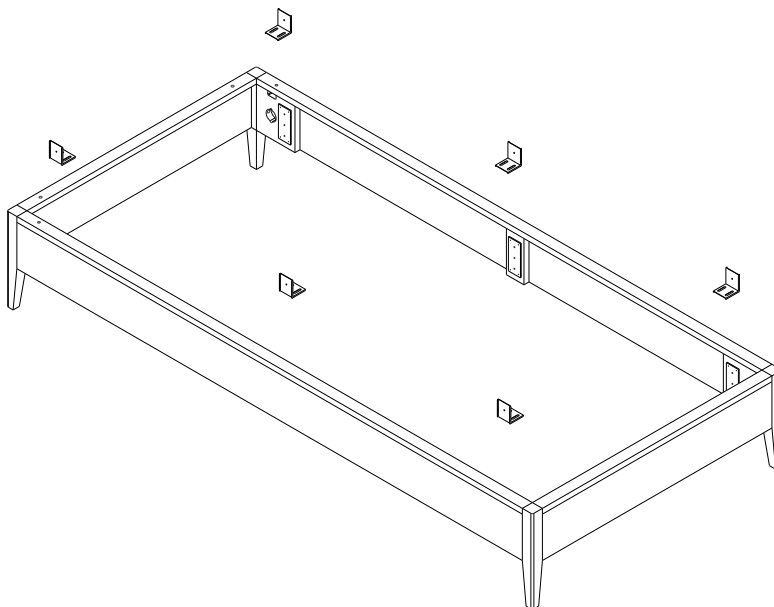
51251 OAK SPINDLE BED - WITHOUT SLATS ASSEMBLY INSTRUCTIONS FOR BED INSTALLATION

A. CONNECTING SIDERAIL AND HEAD / FOOTBOARD

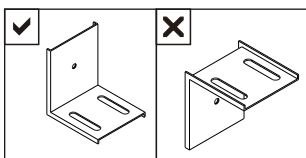


- USE DOWEL Ø12x40 (12X)
- USE HALFMOON HARWARE SET (4SET)
- USE NUT M8 (4X)
- TIGHTEN FULLY

B. INSTALLING L BRACKET

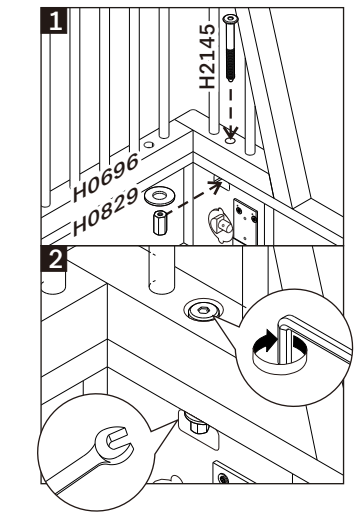
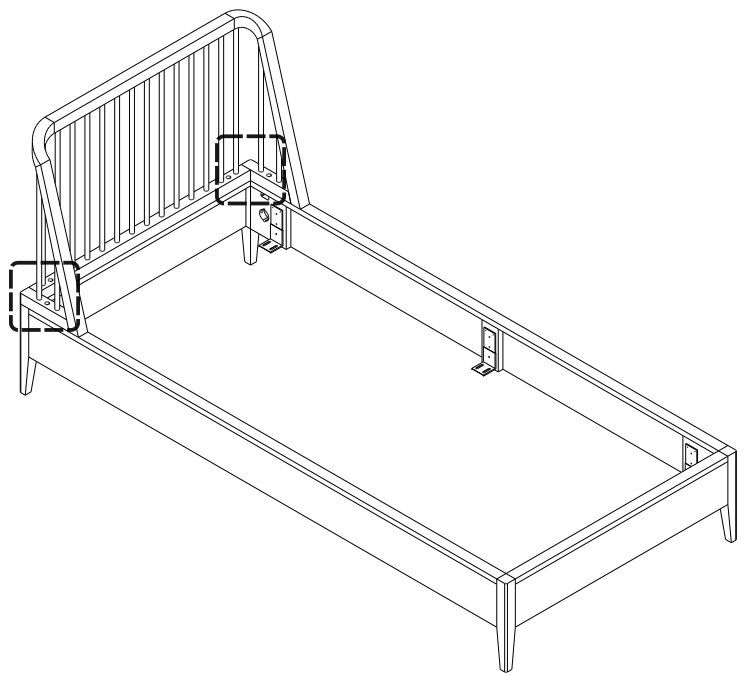
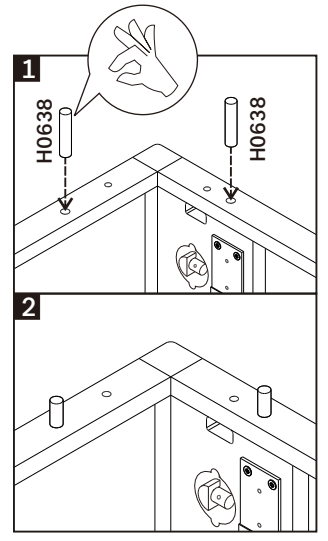
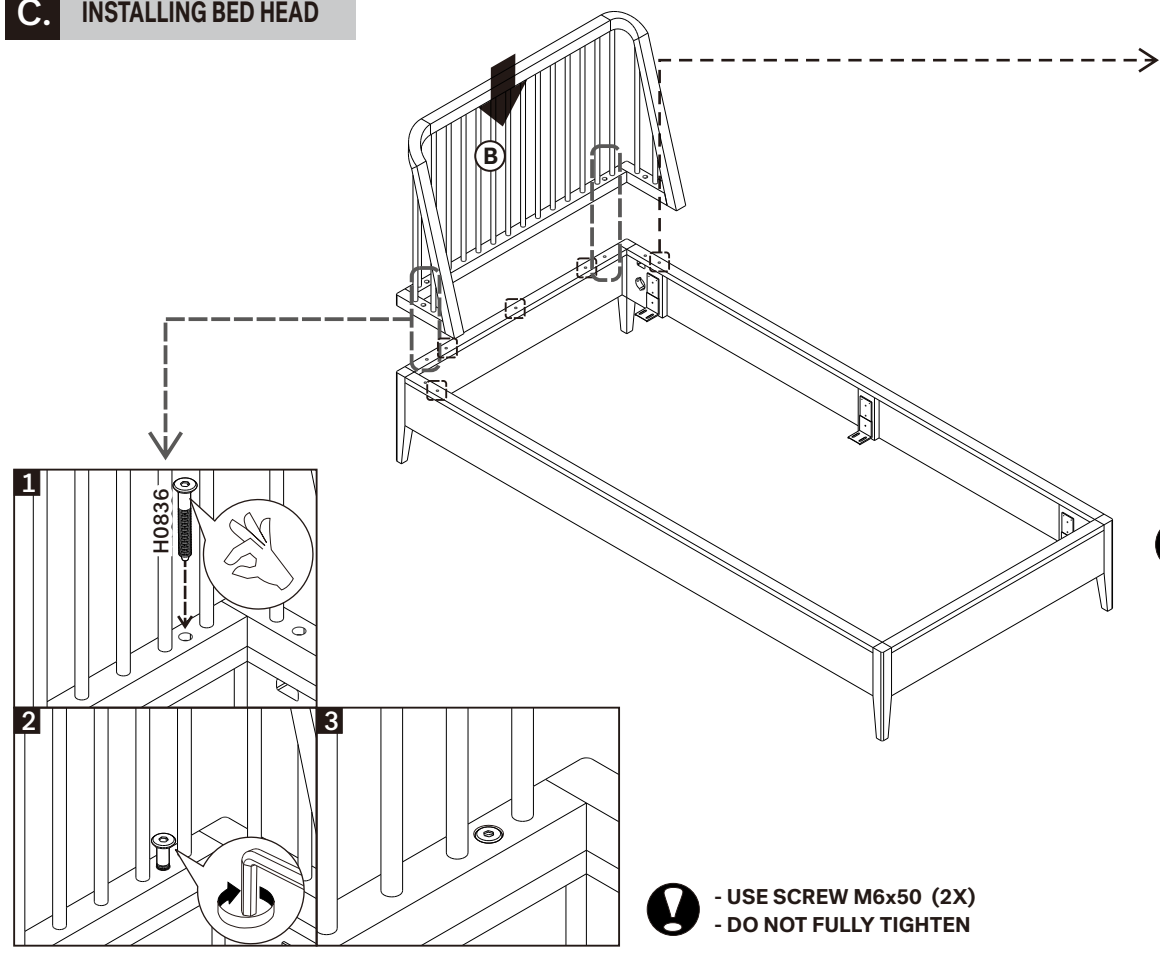


- ALL METAL BRACKETS SHOOULD BE AT THE SAME LEVEL
- USE L BRACKET (6X)
- USE JCBC SCREW M6x6 (6X)
- TIGHTEN FULLY ALL SCREWS



51251 OAK SPINDLE BED - WITHOUT SLATS ASSEMBLY INSTRUCTIONS FOR BED INSTALLATION

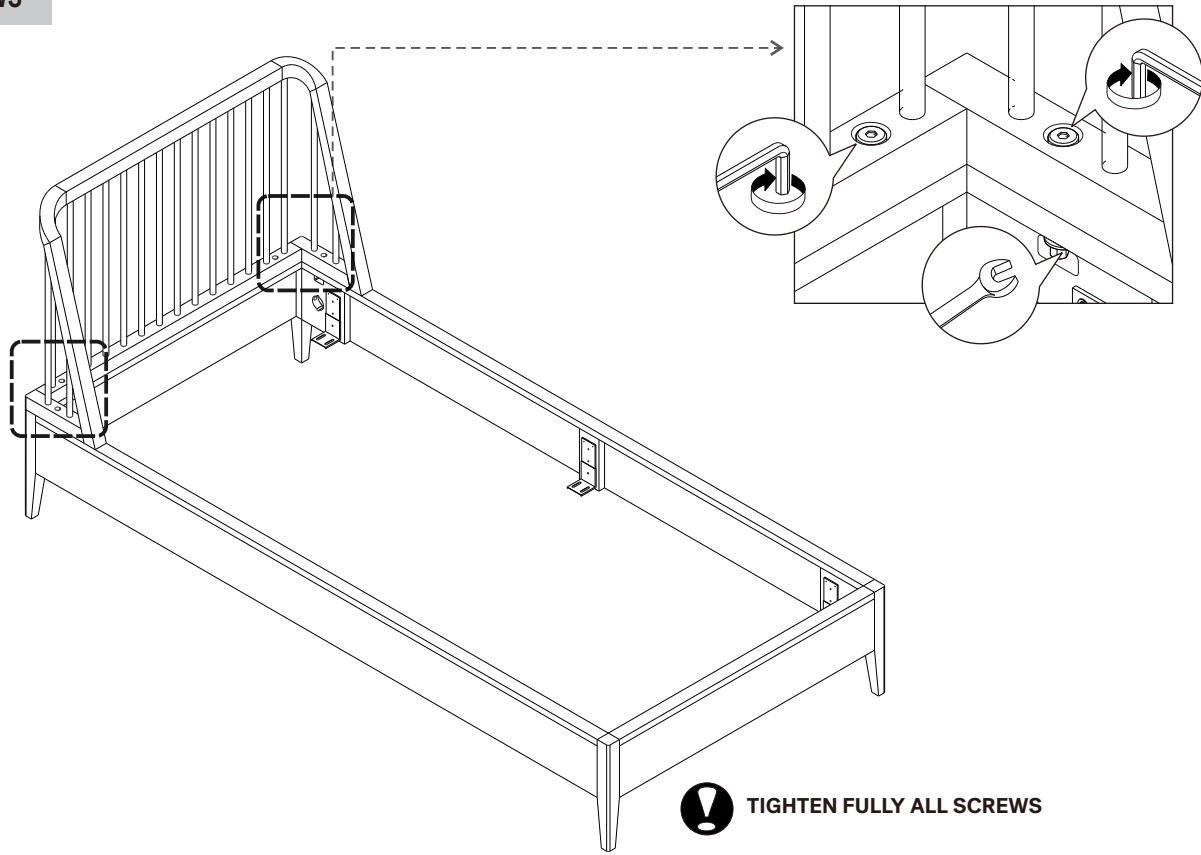
C. INSTALLING BED HEAD



51251 OAK SPINDLE BED - WITHOUT SLATS ASSEMBLY INSTRUCTIONS FOR BED INSTALLATION



D. RE-TIGHTEN THE SCREWS



E. FINISH

