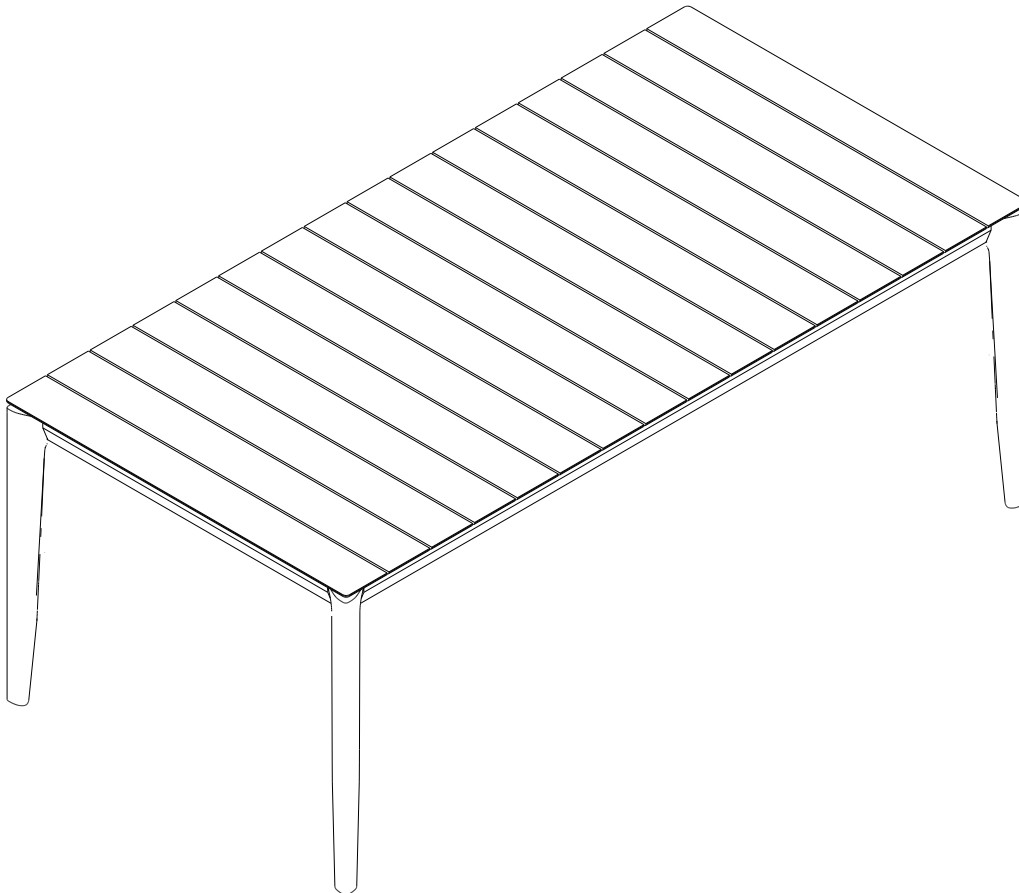


Ethnicraft

ASSEMBLY INSTRUCTIONS FOR DINING TABLE INSTALLATION

TEAK BOK OUTDOOR DINING TABLE

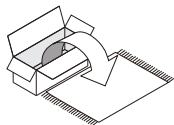
CODE	DESCRIPTION
10269	TEAK BOK OUTDOOR DINING TABLE 162/80/76
10270	TEAK BOK OUTDOOR DINING TABLE 200/100/76
10271	TEAK BOK OUTDOOR DINING TABLE 250/100/76
10272	TEAK BOK OUTDOOR DINING TABLE 300/110/76
10276	TEAK BOK BLACK OUTDOOR DINING TABLE 162/80/76
10277	TEAK BOK BLACK OUTDOOR DINING TABLE 200/100/76
10278	TEAK BOK BLACK OUTDOOR DINING TABLE 250/100/76
10279	TEAK BOK BLACK OUTDOOR DINING TABLE 300/110/76
10296	TEAK BOK OUTDOOR SQUARE DINING TABLE 80/80/76



TEAK BOK OUTDOOR DINING TABLE ASSEMBLY INSTRUCTIONS FOR DINING TABLE INSTALLATION



NOTE



- CAREFULLY OPEN THE CARTON,
- REMOVE CONTENTS AND LAY OUT ON CARPET OR THE PACKAGING CARTON BOX OR OTHER PROTECTIVE SURFACE TO AVOID DAMAGE.
- CHECK PACKAGE CONTENTS TO ASSURE ALL THE NECESSARY HARDWARE AND PARTS ARE RECEIVED UNDAMAGED.
- DO NOT USE DAMAGE OR DEFECTIVE PARTS/HARDWARE.
- CONTACT ETHNICRAFT FOR ANY MISSING PART AND /OR HARDWARE.

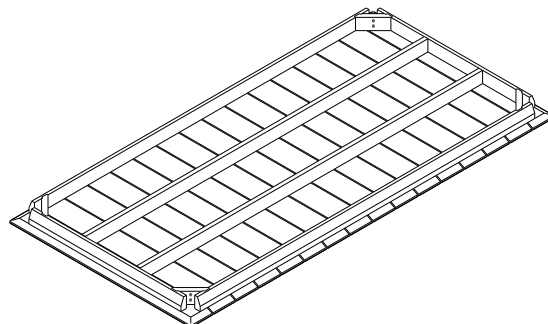


- READ THE ASSEMBLY INSTRUCTION BEFORE INSTALLATION AND CAREFULLY FOLLOW THE INSTRUCTION GIVEN.
- SEEK THE ADVICE OF A PROFESSIONAL IF YOU ARE NOT FAMILIAR WITH THESE INSTALLATIONS OR HAVE ANY DOUBTS ABOUT THE SAFETY OF THIS INSTALLATION.



- IT IS ADVISABLE TO DO THIS ASSEMBLY WITH MINIMUM OF 2 PERSONS.

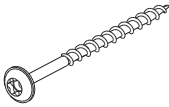

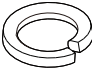
PARTS TO ASSEMBLE



A TABLE TOP 1piece

CODE	DESCRIPTION
P1042	TABLE TOP 162x80
P1010	TABLE TOP 200x100
P1011	TABLE TOP 250x100
P1014	TABLE TOP 300x110
P1061	TABLE TOP - BLACK 162x80
P1062	TABLE TOP - BLACK 200x100
P1063	TABLE TOP - BLACK 250x100
P1064	TABLE TOP - BLACK 300x110
P1068	TABLE TOP 80x80

HARDWARE ENCLOSED

 H2035 SPAX SCREW M6x100 (8pcs)	 H2103 WASHER M8x23 (8pcs)	 H2036 SPRING WASHER M6 (8pcs)
--	--	--



B LEG (INTERCHANGEABLE) 4pieces

CODE	DESCRIPTION
P1012	LEG FOR 80, 162 & 200 LENGTH
P1013	LEG FOR 250 & 300 LENGTH
P1065	LEG - BLACK FOR 162 & 200 LENGTH
P1066	LEG - BLACK FOR 250 & 300 LENGTH

TOOL

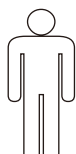
(Included in packaged)



SYMBOLS



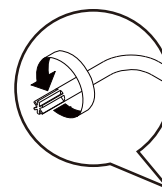
DIRECTION



NUMBER OF PERSONS NEEDED



USE HAND

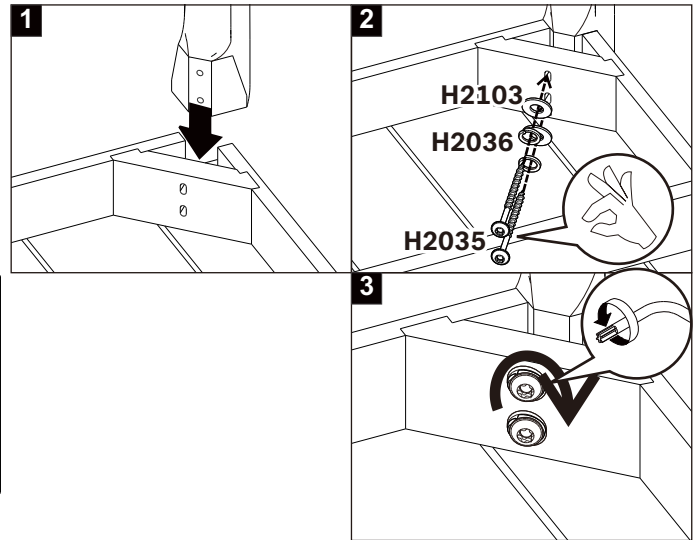
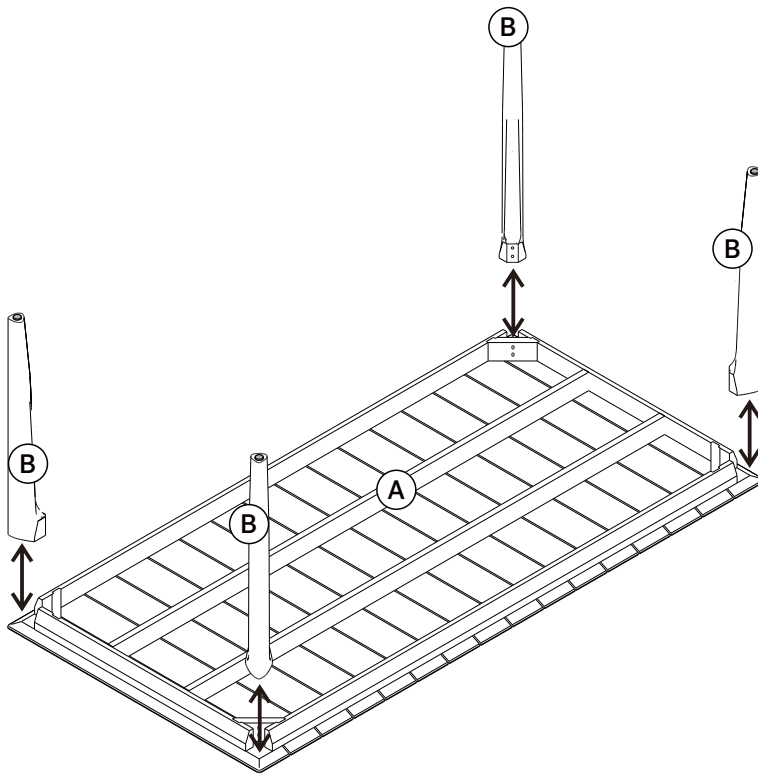


USE TORX ALLEN SCREW TO TIGHTEN

TEAK BOK OUTDOOR DINING TABLE ASSEMBLY INSTRUCTIONS FOR DINING TABLE INSTALLATION

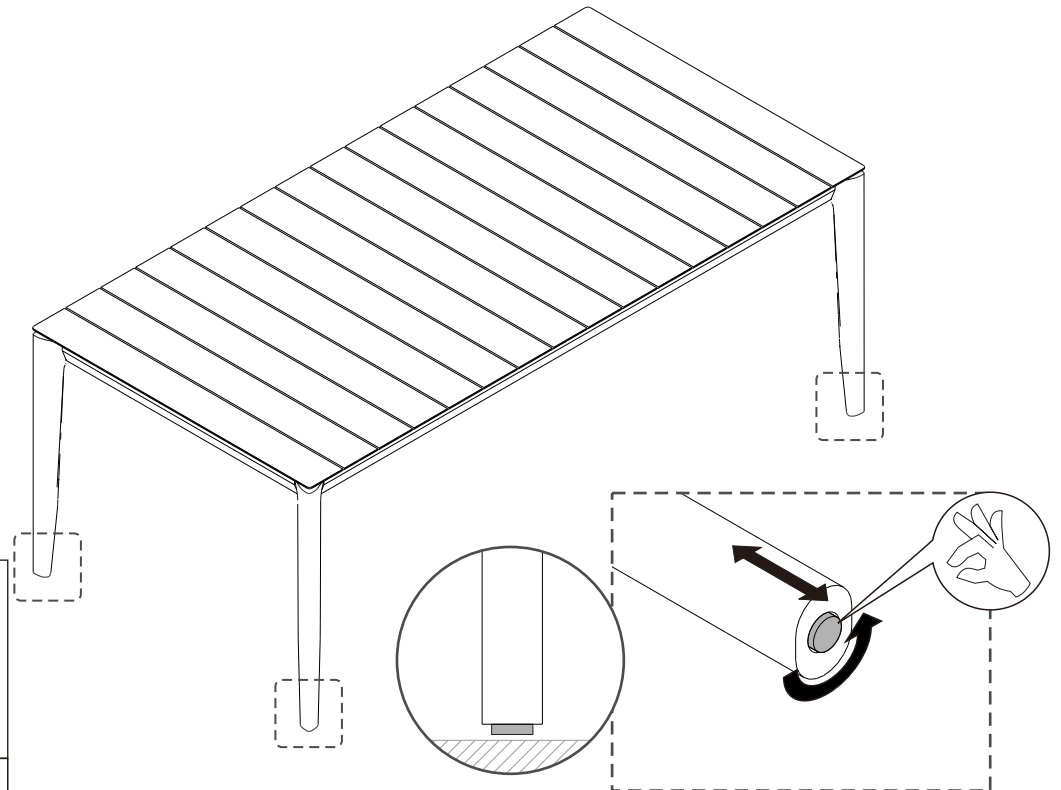


A. CONNECTING LEGS TO TABLE TOP

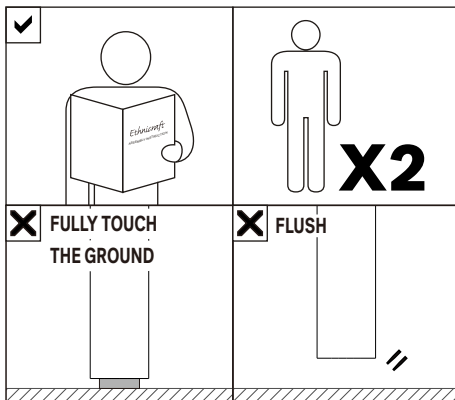


- DO NOT TIGHTEN SCREWS TOO MUCH INITIALLY
- TO BE CHECKED AND RE-ADJUSTED AFTER 15 DAYS OF USE
- REPEAT STEPS 1-3 ON REMAINING LEGS

B. ADJUST LEVELER



NOTICE



IMPORTANT NOTICE :
TO PREVENT WARPING, BEFORE USING A TABLE, ALWAYS ADAPT THE ADJUSTABLE GLIDES OF THE EACH LEGS TO THE GROUND SURFACE. FOR STABILITY, EACH LEGS NEED TO BE SLIGHTLY SHORTER.