

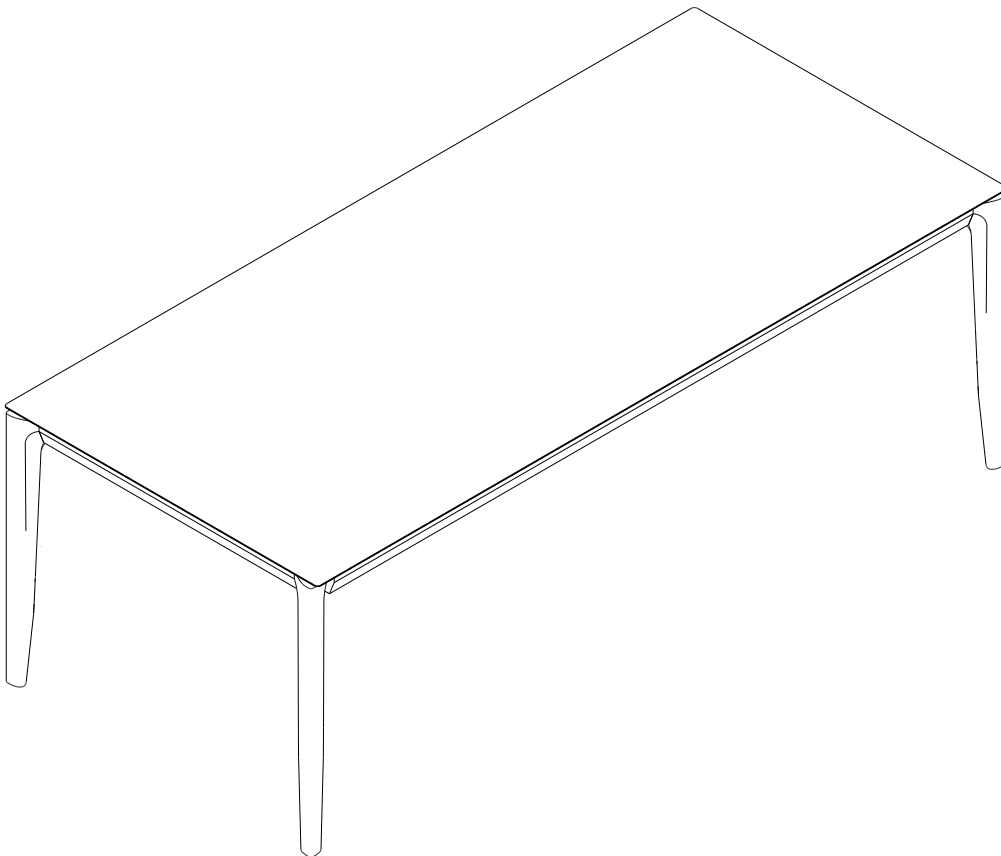
# Ethnicraft

## ASSEMBLY INSTRUCTIONS FOR DINING TABLE INSTALLATION

---

### TEAK BOK DINING TABLE

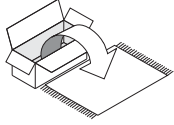
CODE	DESCRIPTION
<b>NATURAL FINISHING</b>	
10157	TEAK BOK DINING TABLE 140/80/76
10158	TEAK BOK DINING TABLE 160/80/76
10159	TEAK BOK DINING TABLE 180/90/76
10160	TEAK BOK DINING TABLE 200/95/76
10161	TEAK BOK DINING TABLE 220/95/76
10162	TEAK BOK DINING TABLE 240/100/76
<b>BROWN FINISHING</b>	
10687	TEAK BOK BROWN DINING TABLE 140/80/76
10688	TEAK BOK BROWN DINING TABLE 160/80/76
10689	TEAK BOK BROWN DINING TABLE 180/90/76
10690	TEAK BOK BROWN DINING TABLE 200/95/76
10691	TEAK BOK BROWN DINING TABLE 220/95/76
10692	TEAK BOK BROWN DINING TABLE 240/100/76



## TEAK BOK DINING TABLE ASSEMBLY INSTRUCTIONS FOR DINING TABLE INSTALLATION



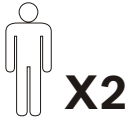
### NOTE



- CAREFULLY OPEN THE CARTON.
- REMOVE CONTENTS TO LAY OUT ON THE FLATTENED CARTON, CARPETED AREA, OR ANOTHER PROTECTIVE SURFACE TO AVOID DAMAGE WHILE ASSEMBLING.
- CHECK PACKAGE CONTENTS TO ASSURE ALL THE NECESSARY HARDWARE AND PARTS ARE RECEIVED UNDAMAGED.
- DO NOT USE DAMAGED OR DEFECTIVE PARTS/HARDWARE.
- CONTACT RETAILER FOR ANY MISSING PART AND/OR HARDWARE.



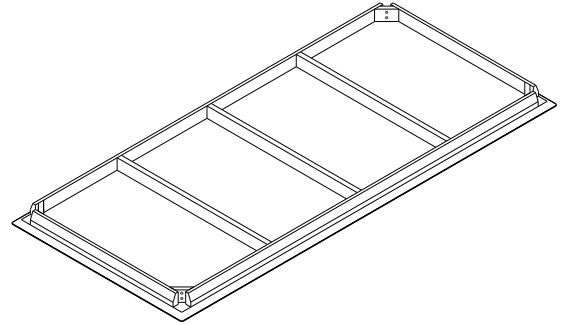
- READ THE ASSEMBLY INSTRUCTIONS BEFORE INSTALLATION AND CAREFULLY FOLLOW THE INSTRUCTIONS GIVEN.
- SEEK THE ADVICE OF A PROFESSIONAL IF YOU ARE NOT FAMILIAR WITH THESE INSTALLATIONS OR HAVE ANY DOUBTS ABOUT THE SAFETY OF THIS INSTALLATION.



- IT IS ADVISABLE TO DO THIS ASSEMBLY WITH MINIMUM OF 2 PERSONS.



### PARTS TO ASSEMBLE



#### A TABLE TOP 1piece

CODE	DESCRIPTION
<b>NATURAL FINISHING</b>	
P0981	TABLE TOP 140x80
P0982	TABLE TOP 160x80
P0983	TABLE TOP 180x90
P0984	TABLE TOP 200x95
P0985	TABLE TOP 220x95
P0987	TABLE TOP 240x100
<b>BROWN FINISHING</b>	
P1093	TABLE TOP - BROWN 140x80
P1094	TABLE TOP - BROWN 160x80
P1095	TABLE TOP - BROWN 180x90
P1096	TABLE TOP - BROWN 200x95
P1097	TABLE TOP - BROWN 220x95
P1098	TABLE TOP - BROWN 240x100

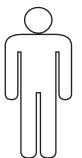
#### B LEGS (INTERCHANGEABLE) 4pieces

CODE	DESCRIPTION
<b>NATURAL FINISHING</b>	
P0980	LEG FOR 80, 90, 95 DEPTH
P0986	LEG FOR 100 DEPTH
<b>BROWN FINISHING</b>	
P1099	LEG - BROWN FOR 80, 90, 95 DEPTH
P1100	LEG - BROWN FOR 100 DEPTH

### SYMBOLS



DIRECTION



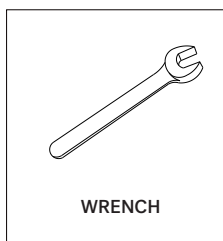
NUMBER OF PERSONS NEEDED

### HARDWARE ENCLOSED

 <b>H0976</b> HEXAGON SCREW M4/16"x100 (8pcs)	 <b>H0098</b> WASHER M8 (8pcs)	 <b>H0764</b> SPRING WASHER M8 (8pcs)
---	--	---

### TOOL REQUIRED

(Not included in package)

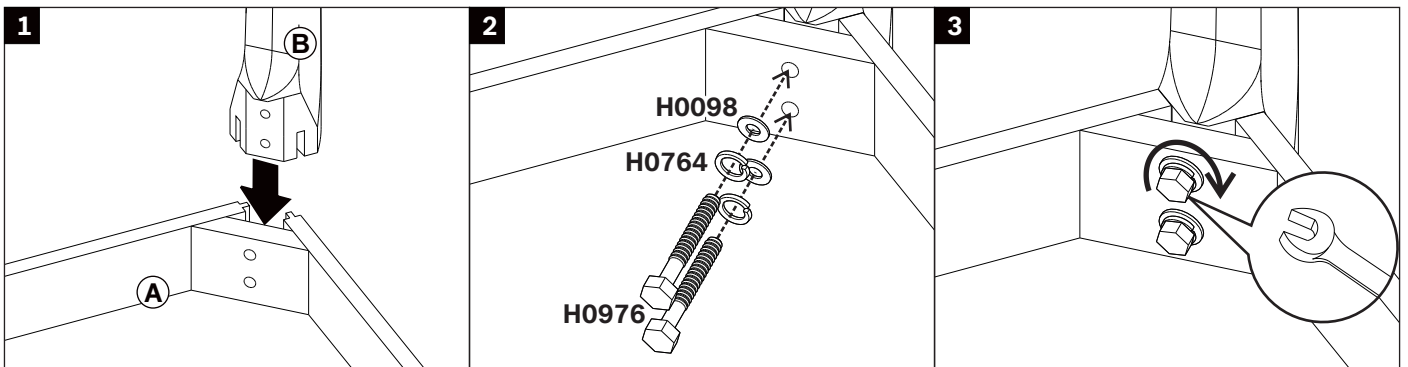
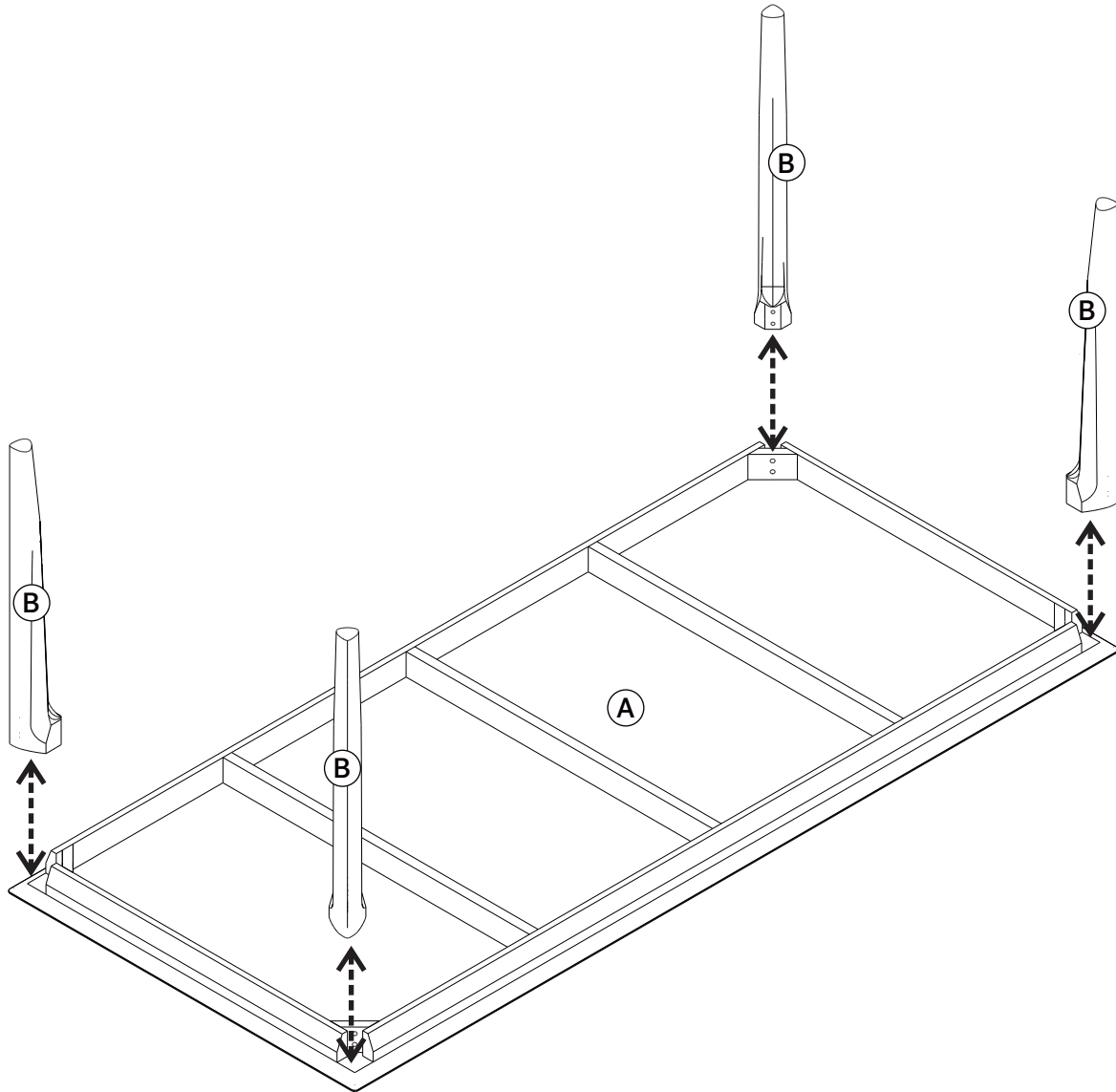


USE HAND



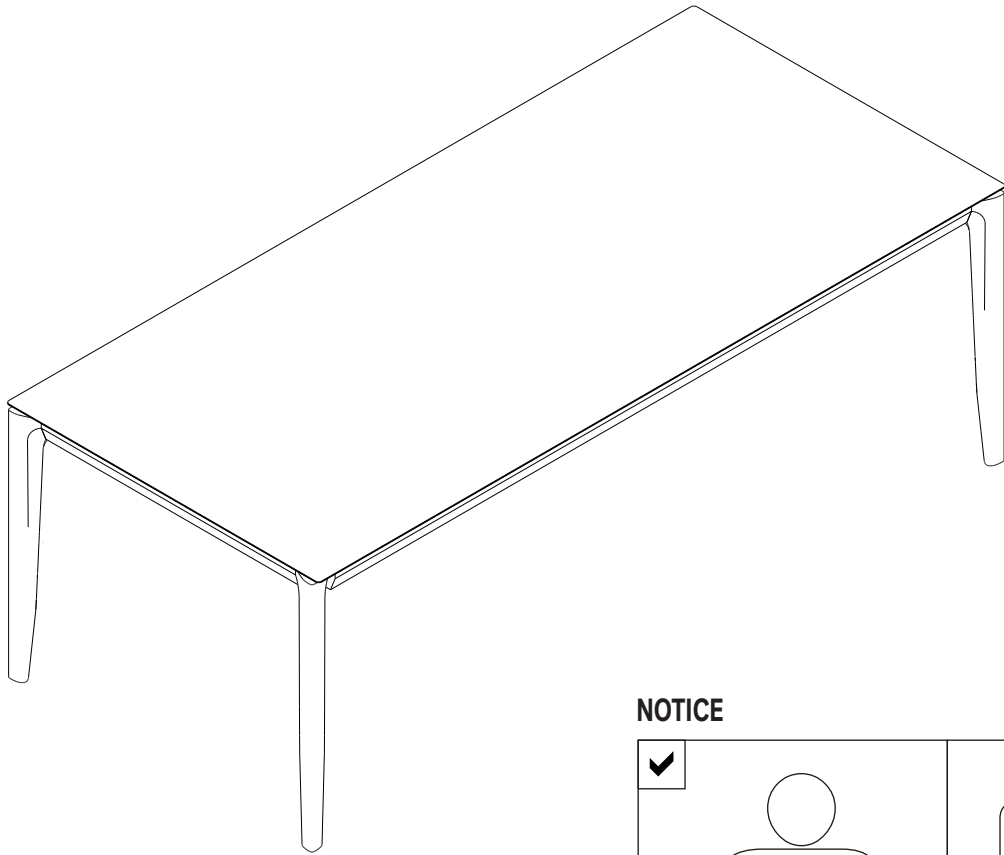
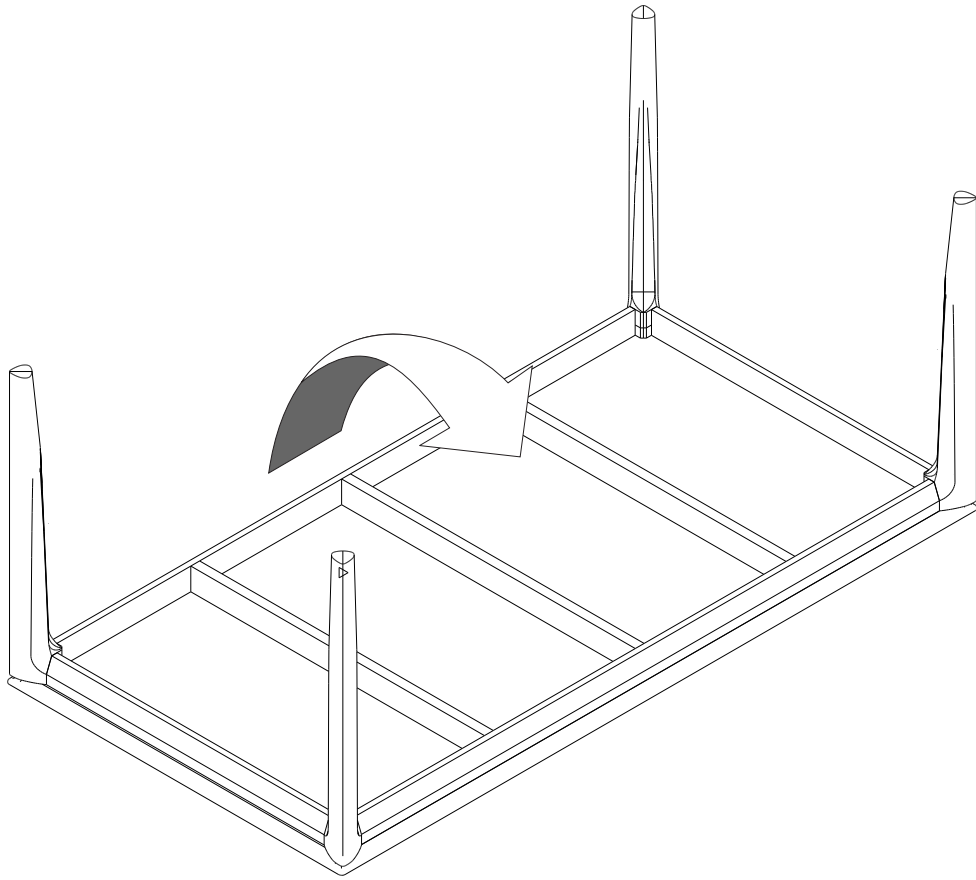
USE WRENCH TO TIGHTEN

## CONNECTING LEGS TO TABLE TOP



- DO NOT TIGHTEN SCREWS TOO MUCH INITIALLY
- TO BE CHECKED AND RE-ADJUSTED AFTER 15 DAYS OF USE
- REPEAT STEPS 1-3 ON REMAINING LEGS

**FINISH**



**NOTICE**

