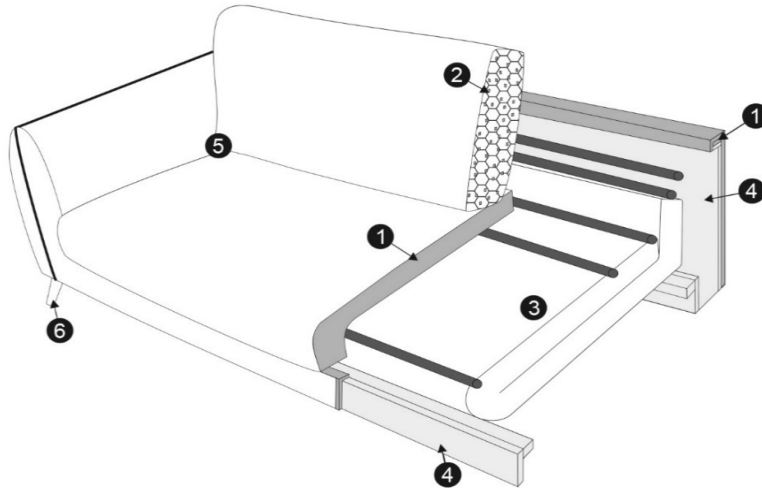




TECHNICAL SPECIFICATION

PROFILE

COMFORT: standard



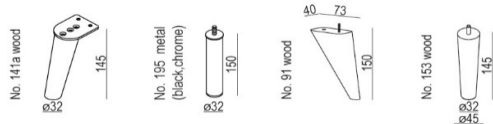
- 1 polyurethane foam/ high resilient polyurethane foam
- 2 silicone balls
- 3 metal mechanism with polyurethane foam or bonnell springs mattress
- 4 solid wood and wood based elements
- 5 fabric
- 6 solid wood legs or metal legs

The producer reserves the right to change construction of products and compnents used due to improving durability of product and customer satisfaction without any further notice.

UPHOLSTERY:

fabric: FC - fix cover, COMFORT: STD - standard MATTRESS: foam or bonell

FEET



COLOURS OF WOODEN FEET



PHOTOS



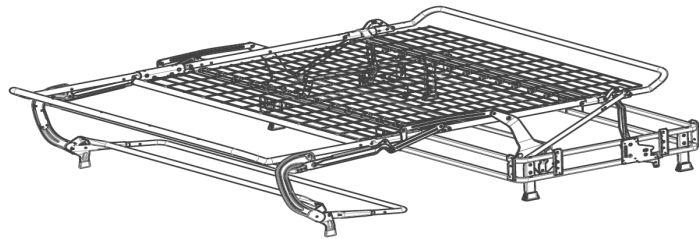
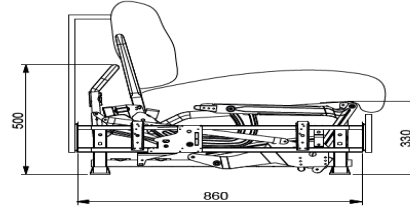
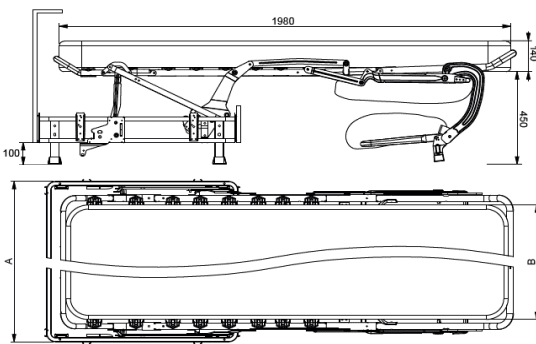
Total sofa depth after spread: 212 cm



TECHNICAL SPECIFICATION

MECHANISM

Mechanism colour is for reference only, actual colour may vary.



REF	A	B/Matress
182/160	182 cm	160 cm
162/140	162 cm	140 cm
102/80	102 cm	80 cm

MATTRESS

FOAM MATTRESS

foam HR 30 kg / non-reversible
 Cover top: 100% PE, 180 g/m³
 Cover bottom: 73% PE, 27% PP, 116g/m³
 height 12 cm



top



bottom

SPRING MATTRESS

Reversible
 springs biconical 2,2mm / height 9 cm
 cover top and bottom: 73% PE, 27% PP, non woven fabric stitched FR flet 750g/m³
 height 14 cm

