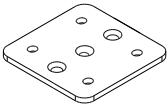
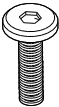
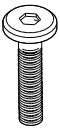
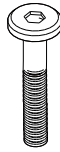




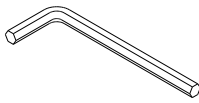
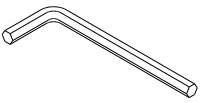


## PI DINING TABLE ASSEMBLY INSTRUCTIONS FOR DINING TABLE INSTALLATION

### HARDWARE ENCLOSED

 METAL PLATE 4pcs	 JCBC SCREW M6x20mm 24pcs	 JCBC SCREW M6x50mm 4pcs	 JCBC SCREW M8x70mm 4pcs
 WASHER M8x16mm 4pcs	 SPRING WASHER M8 4pcs	 WASHER M6x13mm 20pcs	 SPRING WASHER M6 20pcs

### TOOLS ENCLOSED

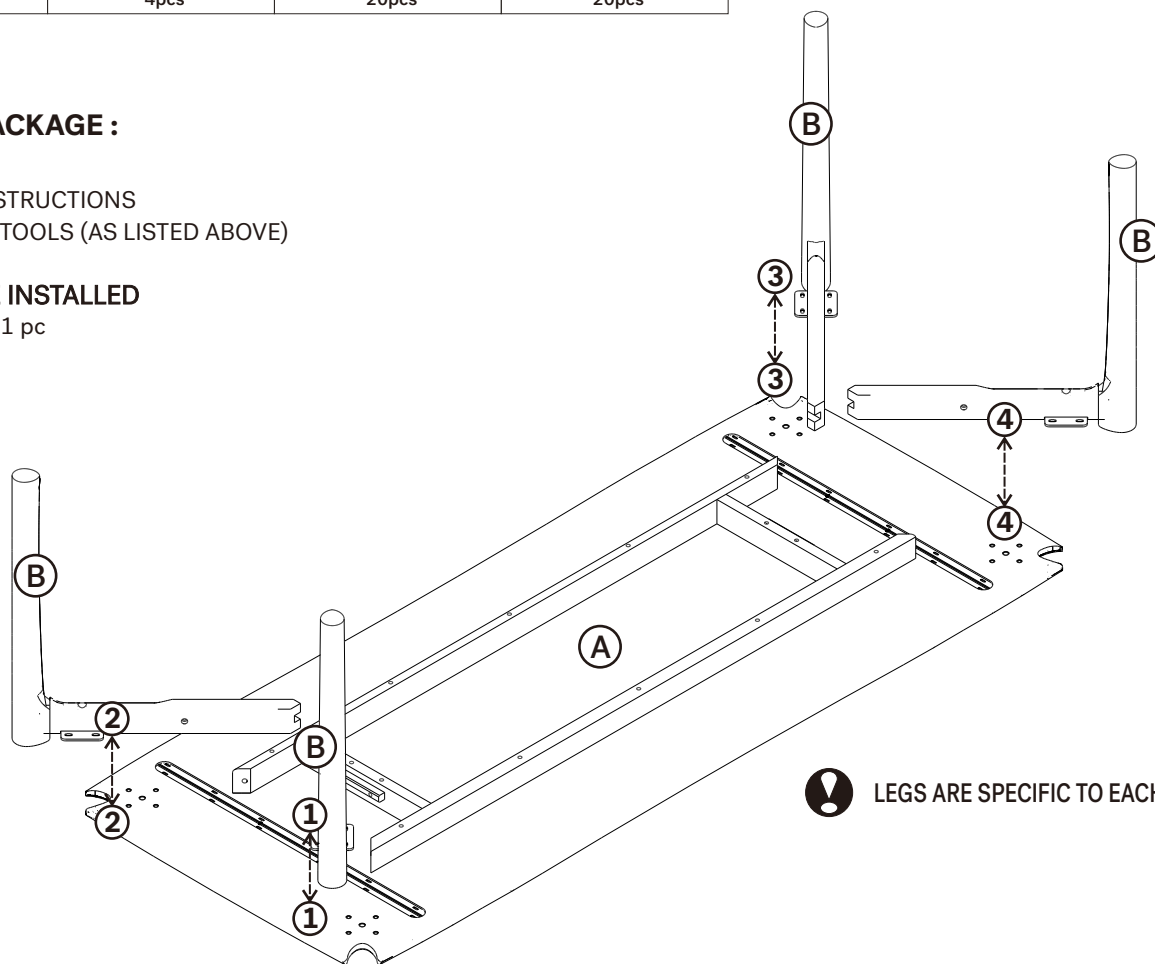
 ALLEN KEY 4mm	 ALLEN KEY 5mm
---	---

### IN YOUR PACKAGE :

ASSEMBLY INSTRUCTIONS  
HARDWARE & TOOLS (AS LISTED ABOVE)

### PARTS TO BE INSTALLED

- A. TABLE TOP 1 pc
- B. LEGS 4 pcs

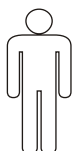


 LEGS ARE SPECIFIC TO EACH CORNER

### SYMBOLS



DIRECTION



NUMBER OF PERSONS NEEDED


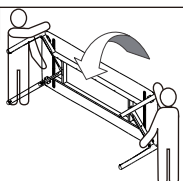
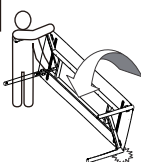
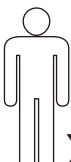


USE HAND



USE ALLEN KEY TO TIGHTEN

### NOTICE

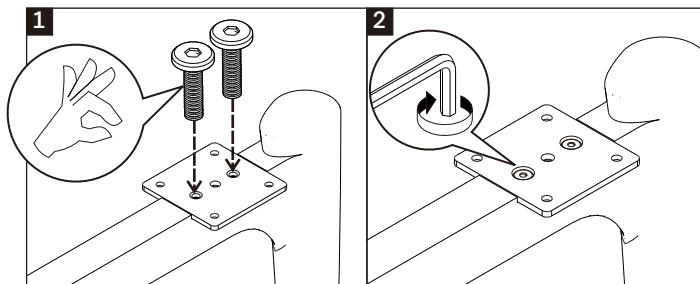
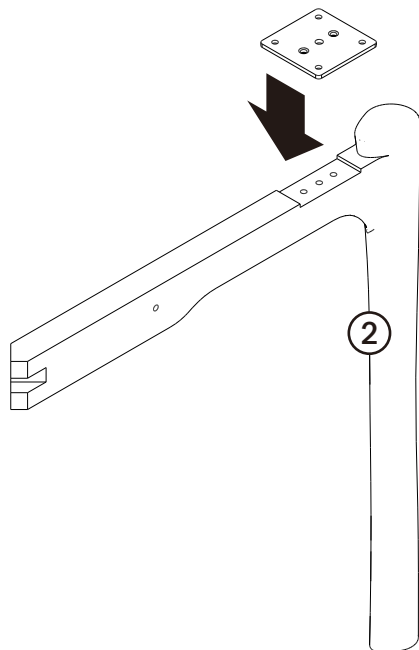
	
	

# Ethnicraft

## PI DINING TABLE

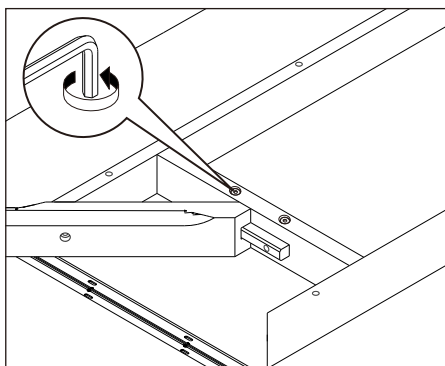
### ASSEMBLY INSTRUCTIONS FOR DINING TABLE INSTALLATION

#### A INSTALLING METAL PLATE TO LEG

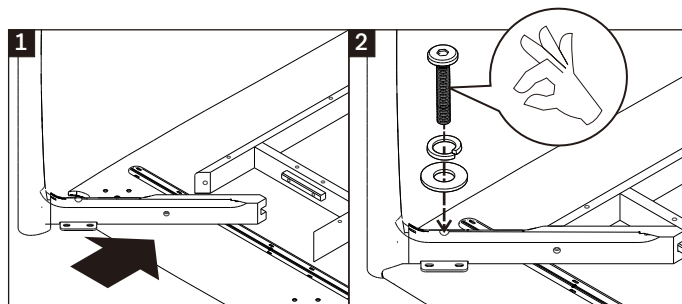


- USE METAL PLATE (4X)
- USE JCBC SCREW M6x20 (8X)
- USE ALLEN KEY 4mm
- TIGHTEN FULLY

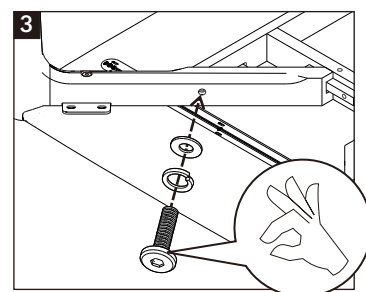
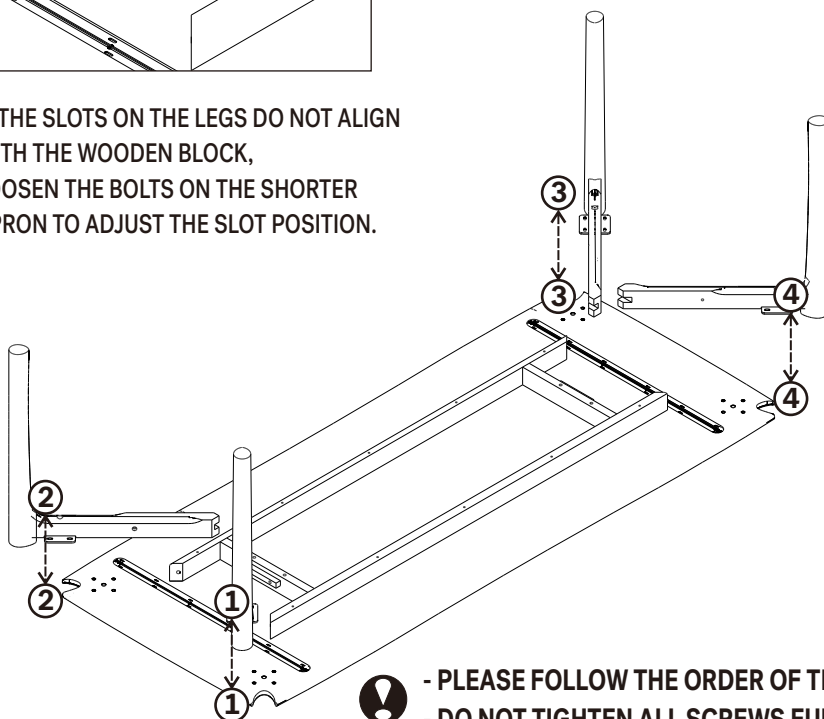
#### B INSTALLING LEGS TO TABLE TOP



IF THE SLOTS ON THE LEGS DO NOT ALIGN WITH THE WOODEN BLOCK, LOOSEN THE BOLTS ON THE SHORTER APRON TO ADJUST THE SLOT POSITION.



- USE JCBC SCREW M8x70 (4X)
- USE WASHER M8x16 (4X)
- USE SPRING WASHER M8 (4X)
- USE ALLEN KEY 5mm



- USE JCBC SCREW M6x50 (4X)
- USE WASHER M6x13 (4X)
- USE SPRING WASHER M6 (4X)
- USE ALLEN KEY 4mm

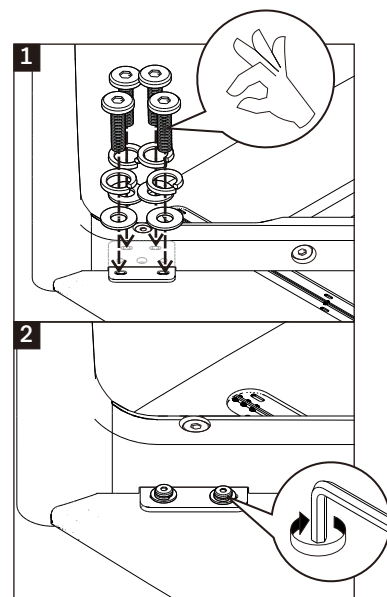
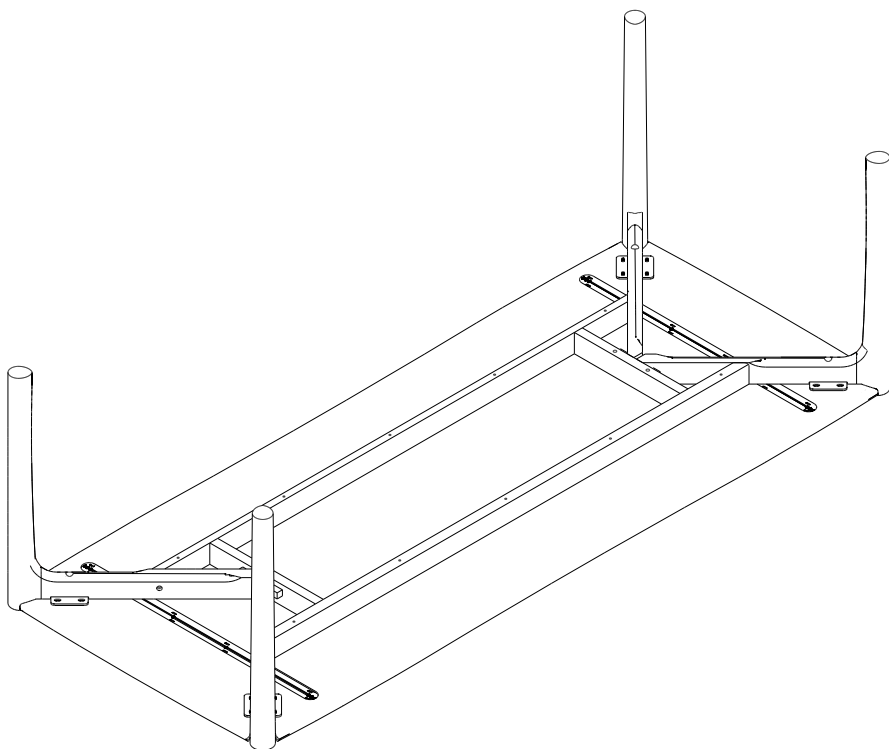
- PLEASE FOLLOW THE ORDER OF THE NUMBERS AS DISPLAYED
- DO NOT TIGHTEN ALL SCREWS FULLY UNTIL THE FINAL STEP

# Ethnicraft

## PI DINING TABLE

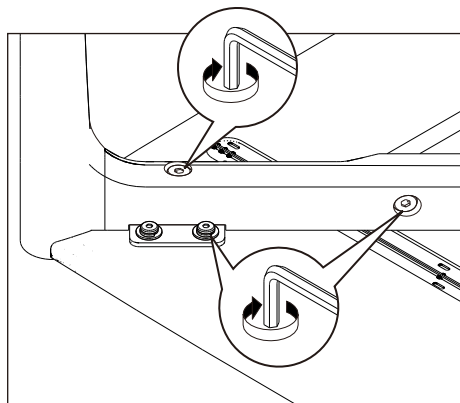
### ASSEMBLY INSTRUCTIONS FOR DINING TABLE INSTALLATION

#### C INSTALLING METAL PLATE SCREWS

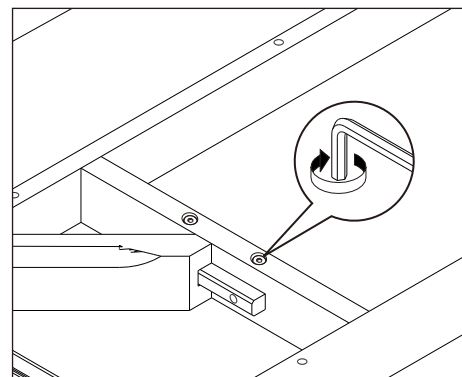
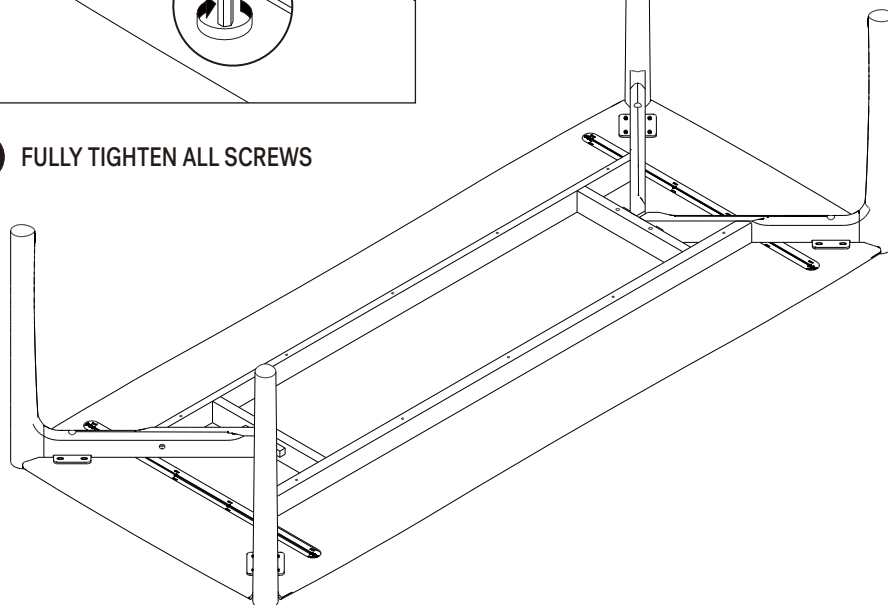


- ! - USE JCBC SCREW M6x20 (16X)
- USE WASHER M6x13 (16X)
- USE SPRING WASHER M6 (16X)
- USE ALLEN KEY 4mm
- DO NOT TIGHTEN SCREWS FULLY

#### D TIGHTEN THE SCREWS



- ! FULLY TIGHTEN ALL SCREWS



- ! IF PREVIOUSLY LOOSENED, RE-ADJUST THE SCREWS IN THE SHORTER APRON TO FULLY TIGHTEN