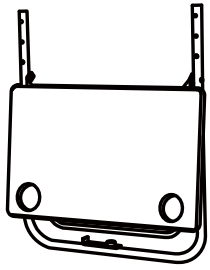
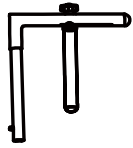
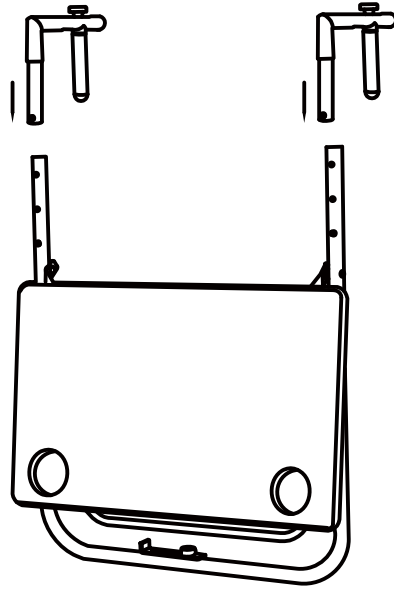


# INSTRUCTIONS

## Parts List



x1



x2

