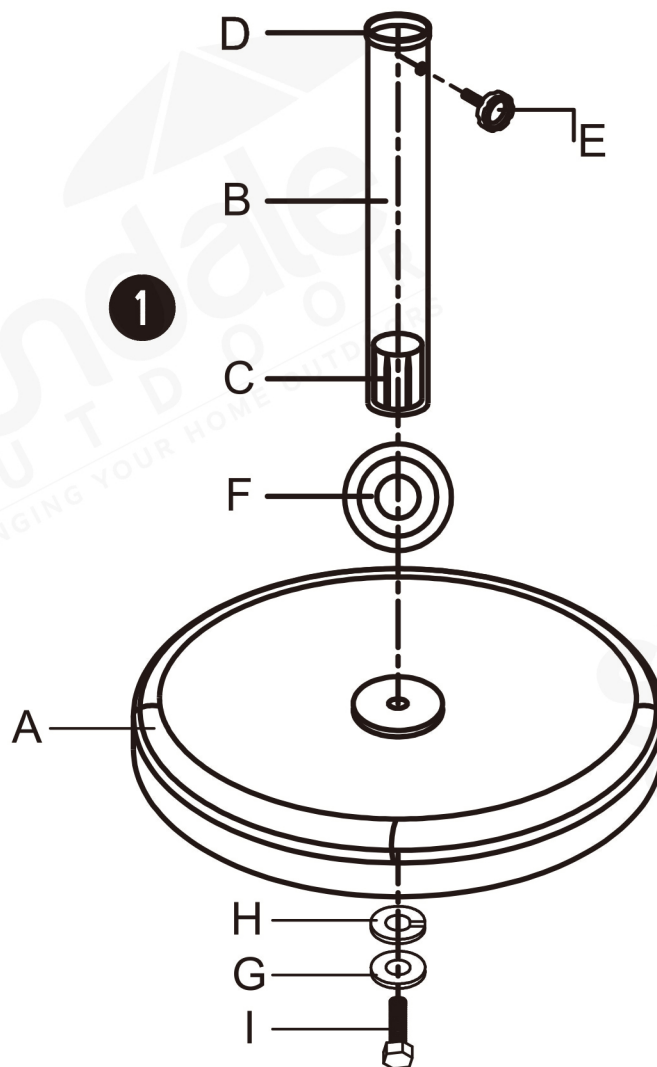




# ASSEMBLY INSTRUCTIONS

A		1
B		1
C		1
D		1
E		1
F		1
G		1
H		1
I		1



**2**

