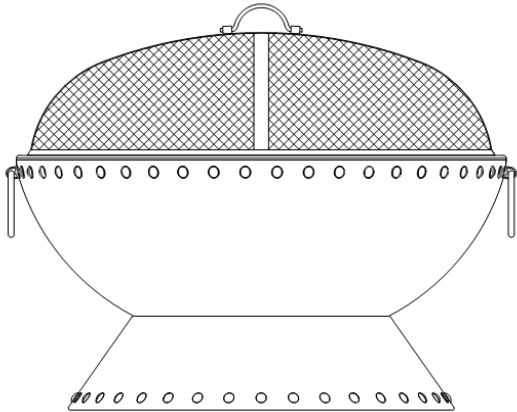


Assembly and Instruction Sheet

26" FIRE BOWL



Important!

Please read and follow ALL instructions before assembling or using this product, particularly the safety statements. Failure to follow instructions and warnings could result in damage to property, serious injury or death.



WARNING



- Fire pit for outdoor use only. Never use in enclosed area.
- Use in unventilated areas will endanger your life.
- Do not use fire pit on or near combustible surfaces or structures such as wood or composite decks, dry leaves or grass, vinyl or wood siding, etc.
- Keep away from house, garage, balconies, or overhangs.
- Use on level, non-combustible surface only.
- Keep away from all combustible materials including gasoline and other flammable liquids and vapors.
- Never use flammable accelerants, such as: gasoline, alcohol, paint thinners, kerosene, etc. to start a fire. Serious injury or property damage could result.
- Screen will become hot when in use! Failure to wear protective gloves could lead to injury.
- Avoid using during dry or windy conditions.
- Keep out of reach of children.
- Do not overfill or use to burn leaves or trash.
- Exercise the same care you would with an open fire.
- Never leave unit unattended while hot or in use.
- Completely extinguish fire before leaving.
- Ashes can remain hot for a long time after fire is extinguished.
- Dispose of cold ashes properly after each use.
- Contact local authorities regarding possible burn restrictions before using product.

General Care Instructions

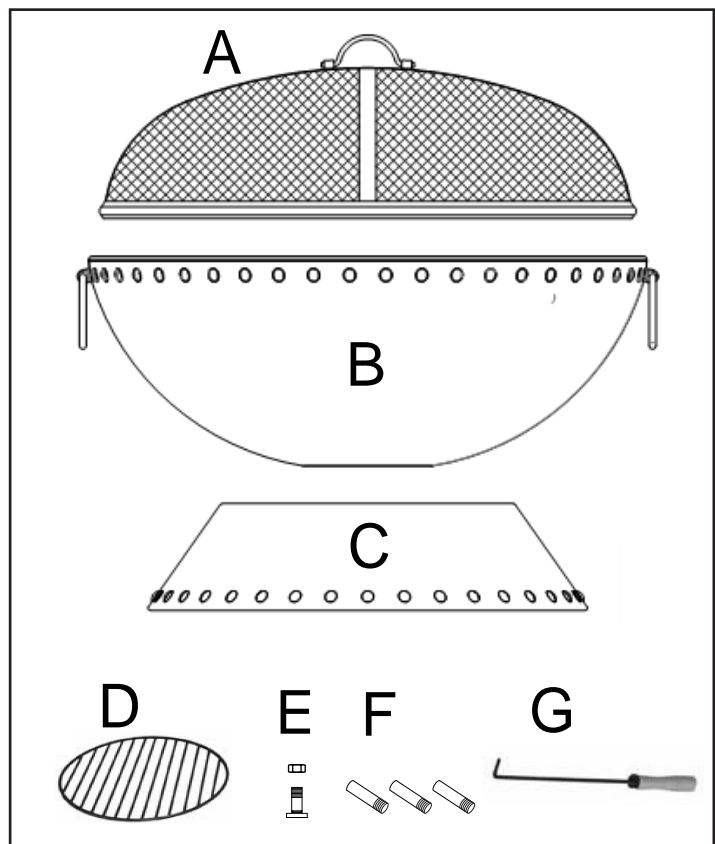
- Fire bowl may be cleaned with water and mild detergent.
- Fire bowl will change colors after use.
- Dispose of cold ashes properly after each use to prolong life of bowl.
- Do not use abrasive detergents or pads to clean bowl.
- As with any outdoor grill, periodic maintenance is required to return painted steel surfaces to original appearance. Remove any rust with sandpaper or steel brush and repaint with grill paint suitable for high-temperature surfaces. Follow paint manufacturer's instructions.
- Maintenance is required before or after every season of use.

Parts List

TOOLS REQUIRED FOR ASSEMBLY

No tools required.

Part #	Quantity	Part Description
A	1	Spark Screen
B	1	Fire Bowl
C	1	fire bowl base
D	1	Log Grate
E	1	base Bolt with Nut
F	1	screen clip bolt
G	1	Spark Screen Lift Tool

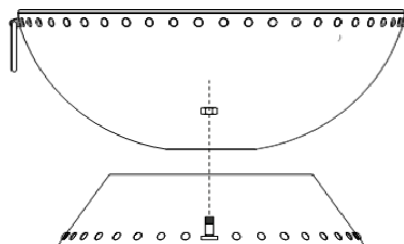


(continued on back)

Assembly Instructions

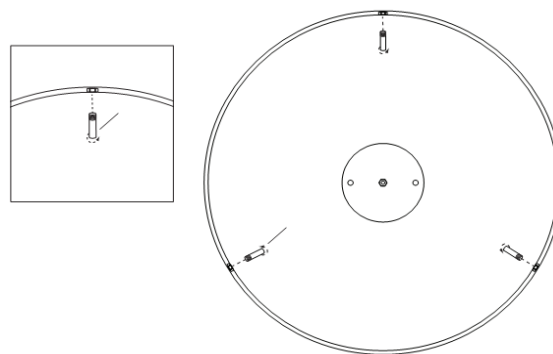
Step 1:

Center Bowl (B) over Bowl Base (C). Align underside Bowl Connector Nut to Base Bolt (E) and hand tighten .



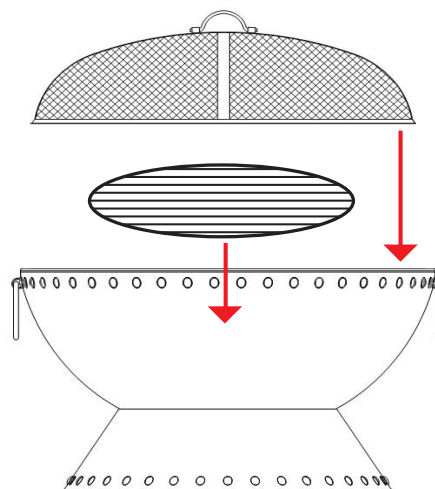
Step 2:

Align Screen Clip Bolt (F) to bolt hole on interior of Bowl (B) rim. Secure Screen Clip Bolt by twisting into place. Hand tighten only, Repeat for remaining two Screen Clip Bolts.



Step 3:

Place Log grate(D) into Bowl(B) and Spark Screen (A) on assembled fire bowl unit. Use fire bowl outside on a level, non-combustible surface only.



READ ALL SAFETY WARNINGS BEFORE USE!