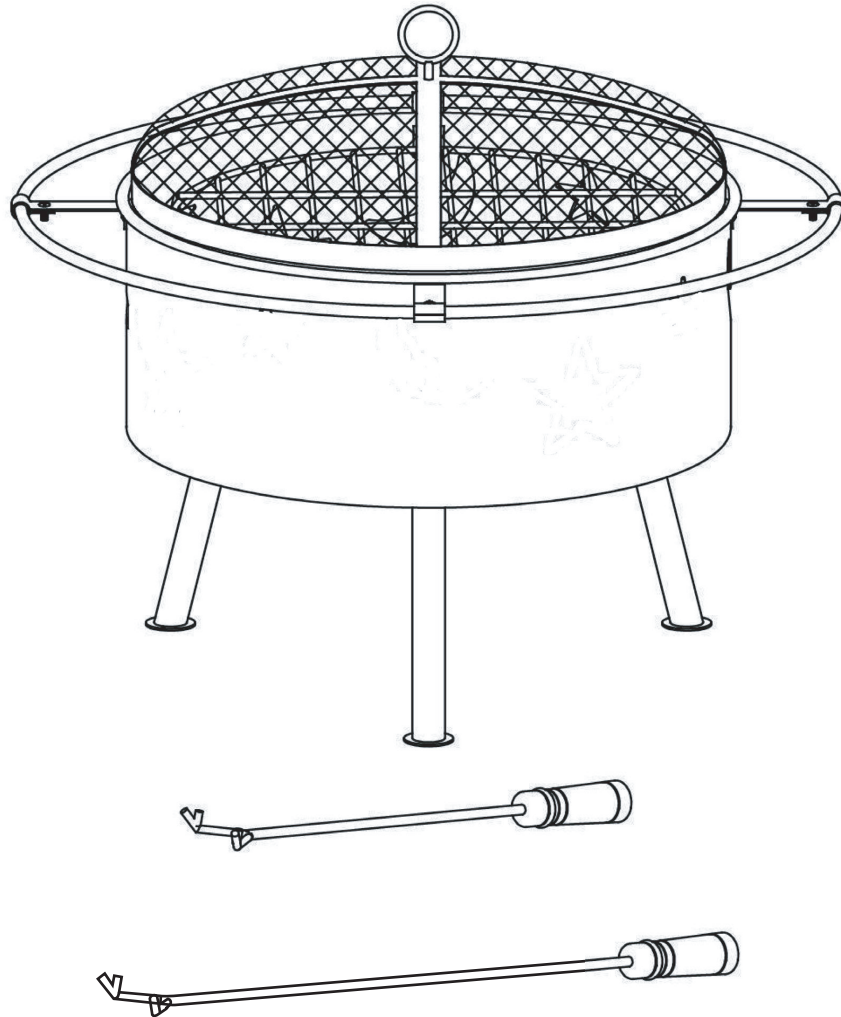


# Assembly Instructions



## **! WARNING**

**FOR YOUR SAFETY:  
For Outdoor  
Use Only  
(outside any  
enclosure)**

**FOR YOUR SAFETY:**

- 1. Improper installation, adjustment, alteration, service or maintenance can cause injury or property damage.**
- 2. Read the installation, operation and maintenance instructions thoroughly before installing or servicing this equipment.**
- 3. Failure to follow these instructions could result in fire or explosion, which could cause property damage, personal injury or death.**

**Save these instructions for future reference. If you are assembling this unit for someone else, give this manual to him or her to read and save for future reference.**

# ! WARNING

## FAILURE TO OBSERVE THESE WARNINGS COULD RESULT IN INJURY

**DANGER: FAILURE TO FOLLOW THE DANGERS, WARNING AND CAUTIONS IN THIS MANUAL MAY RESULT IN SERIOUS BODILY INJURY OR DEATH, OR IN A FIRE OR AN EXPLOSION CAUSING DAMAGE TO PROPERTY.**

**THIS INSTRUCTION MANUAL CONTAINS IMPORTANT SAFETY INFORMATION.**

**READ THIS INSTRUCTION MANUAL CAREFULLY AND UNDERSTAND ALL INFORMATION BEFORE OPERATING.**



- It is the responsibility of the owner to make sure all personnel read this manual prior to using the outdoor fire place. It is also the responsibility of the outdoor fire place owner to keep this manual intact and in a convenient location for all to see and read. If the manual or product labels are lost or not legible, contact Matco Tools for replacements. If the operator is not fluent in English, the product and safety instructions shall be read and discussed with the operator in the operator's native language by the purchaser/owner or his designee, making sure that the operator comprehends its contents.

- Do NOT use this outdoor fireplace without reading the entire "Owner's Manual".

- This outdoor fire place is for outdoor use only, and shall NOT be used in a building, garage or any other enclosed area.



- Do NOT use this outdoor fireplace for indoor heating. TOXIC carbon monoxide fumes can accumulate and cause asphyxiation.

- Always wear impact-resistant eye and face protection when operating or performing maintenance on this outdoor fire place, users and bystanders.

- This outdoor fireplace is NOT to be operated by children.

- Do NOT operate, light or use this outdoor fire place within 10 feet (3.05m) of walls, structures or buildings.



- Do NOT store or use gasoline or other flammable vapors or liquids within 25 feet (7.62 m) in the vicinity of this or any other outdoor fire place.

- Do NOT use in an explosive atmosphere. Keep outdoor fireplace area clear and free from combustible materials, gasoline and other flammable liquids.

- Apartment Dwellers: Check with management to learn the requirements and fire codes for using an outdoor fireplace in your apartment complex. If allowed, use outside on the ground floor with 10 feet (3.05m) clearance from walls or rails. Do not use on or under balconies.

- Always use in accordance with all applicable local, state and national codes. Contact your local fire department for details on outdoor burning.

- When using this outdoor fireplace, exercise the same precautions you would with any open fire.

- This outdoor fireplace is NOT to be used in or on boats or recreational vehicles.



- This outdoor fireplace is for use with dry, seasoned hardwood. It will burn hotter, more completely and create less smoke.

- Do NOT burn charcoal briquets, lump charcoal, manufactured logs, driftwood, trash, leaves, paper, cardboard, plywood, painted, stained or pressure treated wood. Avoid using softwoods such as pine or cedar which can throw sparks.

- Do NOT use gasoline, kerosene, diesel fuel, lighter fluid or alcohol to light or relight fires.

- Do NOT alter this outdoor fireplace in any manner.

- Do NOT use this outdoor fireplace until it is COMPLETELY assembled and all parts are securely fastened and tightened.

- The use of alcohol, prescription or non-prescription drugs may impair the consumer's ability to properly assemble and/or safely operate this outdoor fireplace.

- Do NOT use this outdoor fireplace near automobiles, trucks, vans or recreational vehicles.

- Always use this outdoor fireplace on a hard, level, non combustible surface such as a concrete, rock or stone. An asphalt or blacktop surface may not be acceptable for this purpose. Do NOT use on wooden decks.

- Do NOT wear flammable or loose clothing when operating this outdoor fireplace.

- Do NOT use in windy conditions.

- Do NOT lean over this outdoor fireplace when lighting or while in use.

- Do NOT use this outdoor fireplace unless spark guard is securely in place.

- Keep all electrical cords away from a hot fireplace.

- All surfaces of this outdoor fireplace are hot when in operation. To avoid burns, do NOT touch fireplace until it has completely cooled (about 45 minutes) unless you are wearing protective gear (potholders, gloves, BBQ mittens, hot pads & etc.). Never touch ashes or coals to see if they are hot.

- Do NOT leave a lit outdoor fireplace unattended, especially around children and pets.

- Always empty this outdoor fireplace before each use.

- Do NOT attempt to move or store this outdoor fireplace until all ashes and coals are completely extinguished.

- Do NOT remove ashes or coals until they are completely and fully extinguished and the outdoor fireplace has completely cooled (about 45 minutes).

- Do NOT place wood directly into bottom of the outdoor fireplace. Place wood only on the wood grate provided.

- Do NOT overload the fireplace. Do not add additional firewood until the fire burns down. NOTICE: If any portion of the bowl, lid or spark guards of this outdoor fireplace are glowing red, it is overloaded.

- Do NOT place a hot spark guard or hot fireplace outdoor fire places onto combustible surfaces such as grass, wooden deck or furniture.











- Avoid breathing smoke from the fire and avoid getting it into your eyes.

# ! WARNING

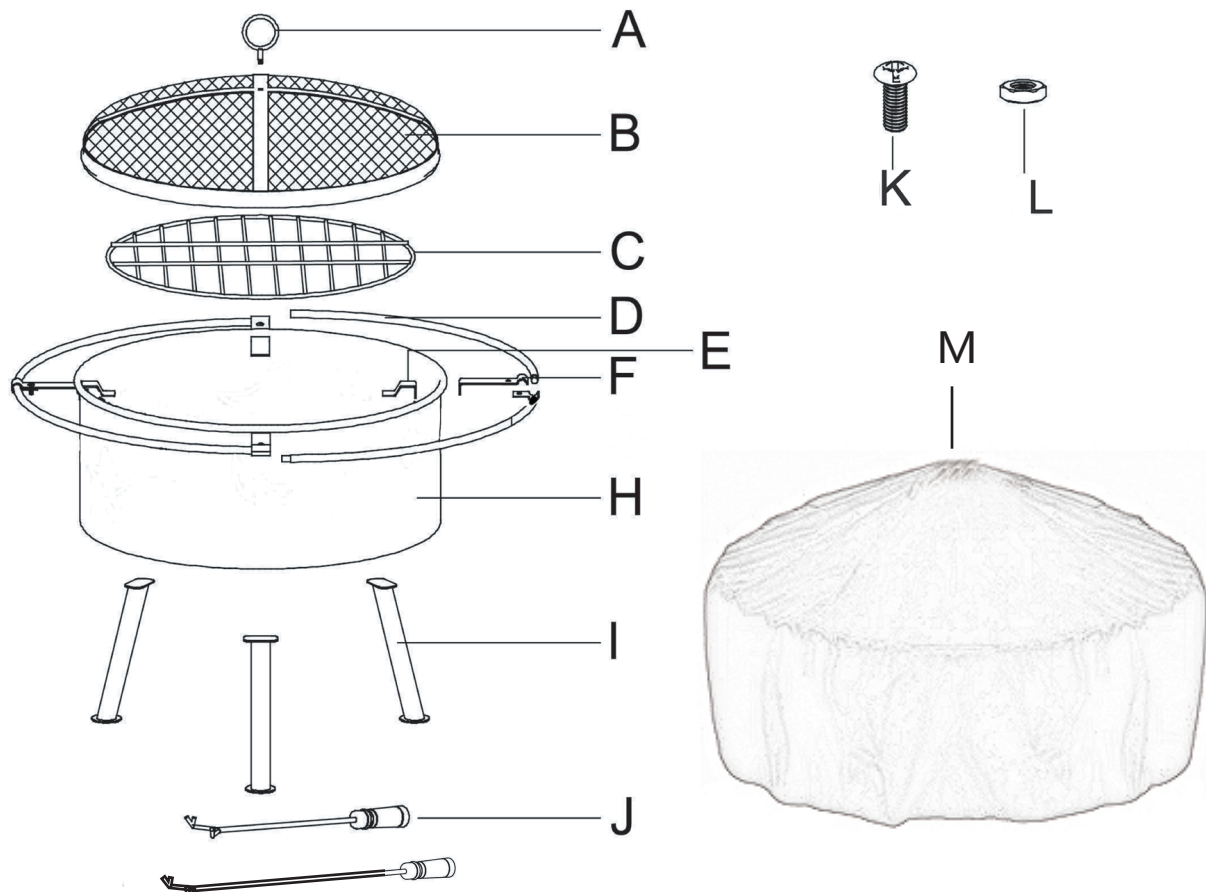
- This outdoor fireplace should be thoroughly inspected and cleaned on a regular basis.
- After a period of storage and/or non-use, check for signs of damage and creosote build-up. Do NOT operate until necessary repairs and/or cleanup are executed.
- Do NOT use oven cleaner or abrasive cleaners as they will damage this outdoor fireplace.
- Do NOT clean any part of this outdoor fireplace in a self cleaning oven as it may damage the finish.
- Use heat-resistant gloves or hot pads when contacting handles.
- Use protective gloves when assembling this outdoor fireplace.
- Do not force parts together as this can result in personal injury or damage to the outdoor fireplace.
- Deaths, serious injury or damage to property may occur if the above is not followed exactly.
- Logs or wood must fit within the outdoor fire place bed on the grate.

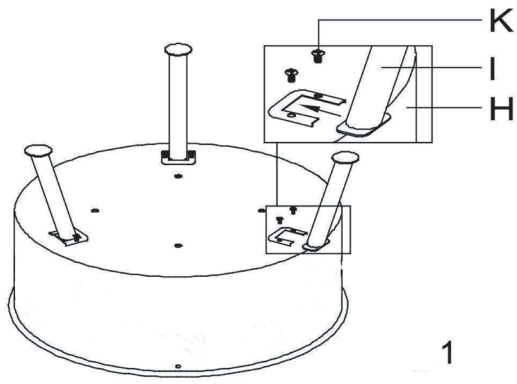


## ITEM PARTS

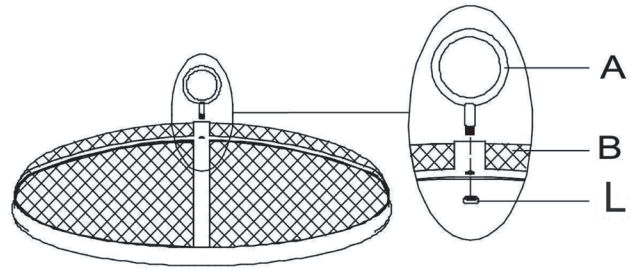
A		1
B		1
C		1
D		4
E		4
F		4
H		1
I		3
J		1
K	M6 x 12MM	14
L	M6	5
M		1

## Assembly

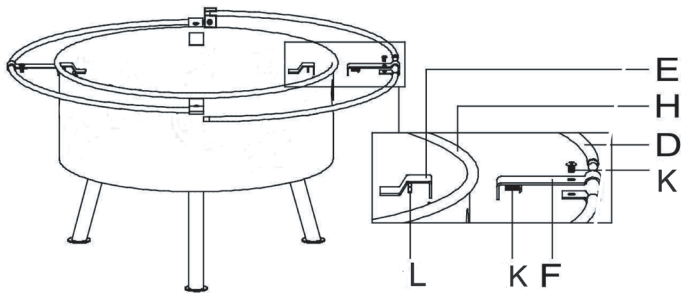




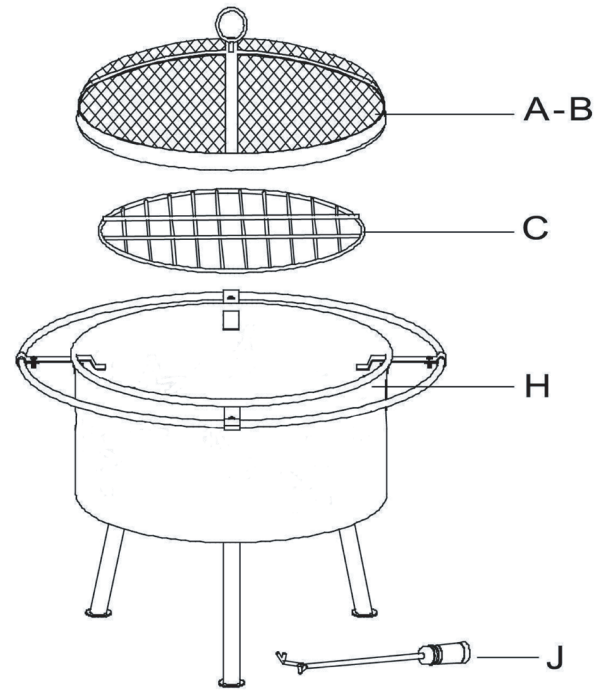
1



3



2



4

