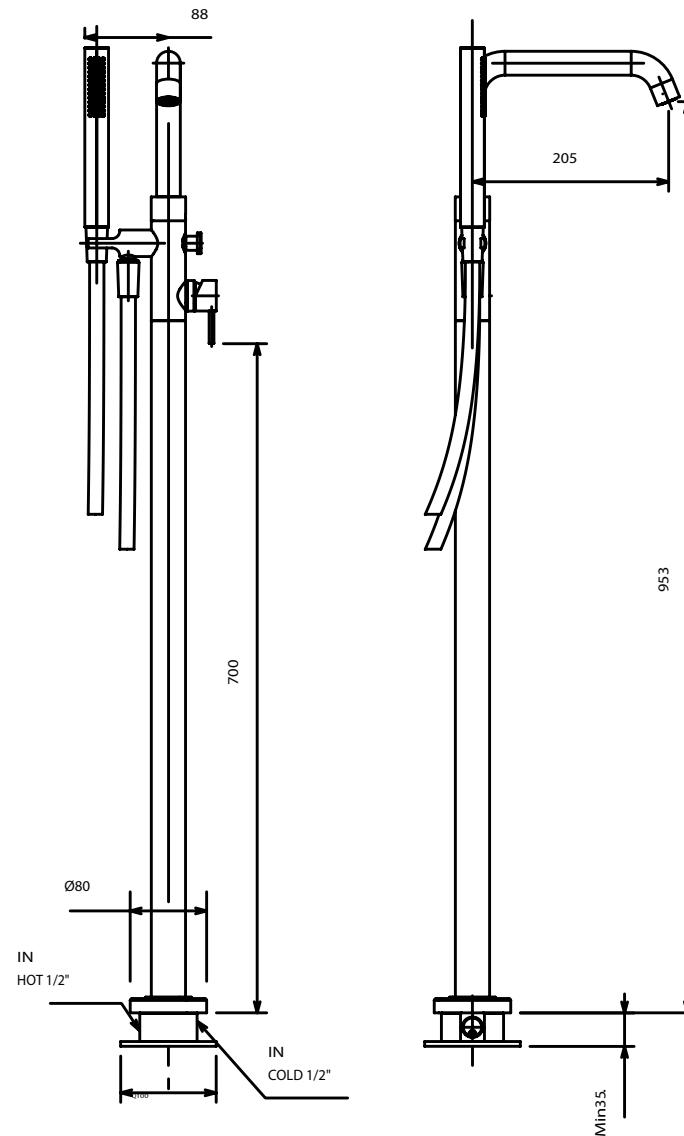


# 34 ST JOHN

Name: FREESTANDING THERMOSTATIC BATH/SHOWER MIXER

Code: 34078



All dimensions are shown in mm