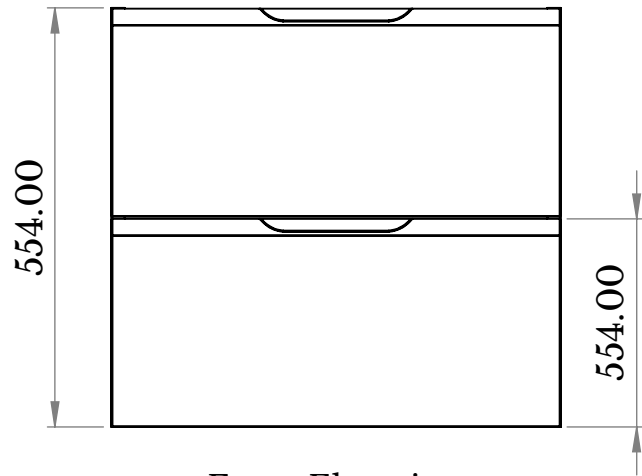


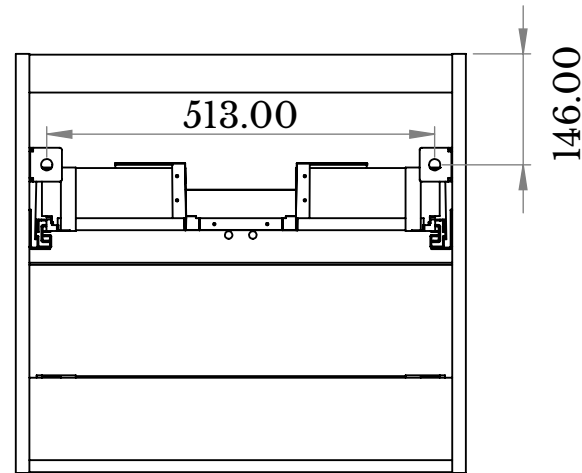
34 ST JOHN

Name: TASCA 600 2 DRAWER

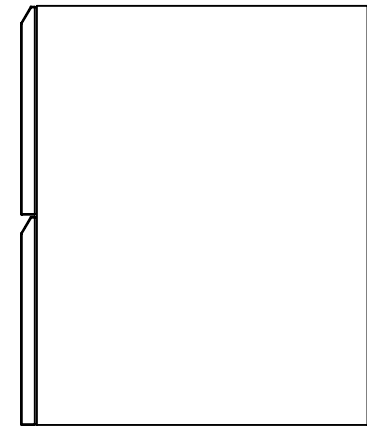
Code: JTA60.



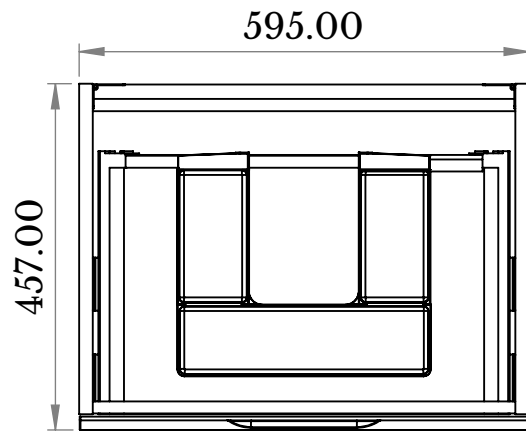
Front Elevation



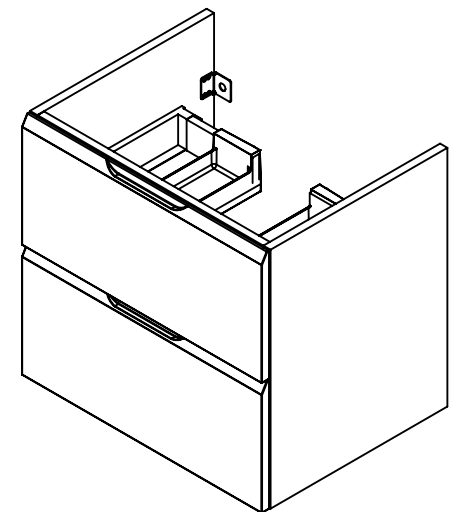
Back Elevation



Side Elevation



Top View



All dimensions are shown in mm