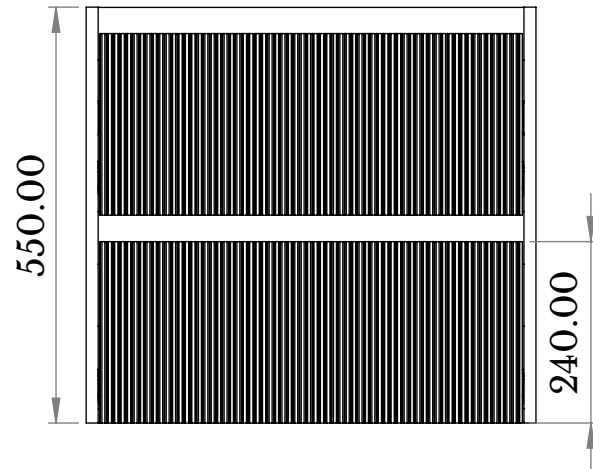


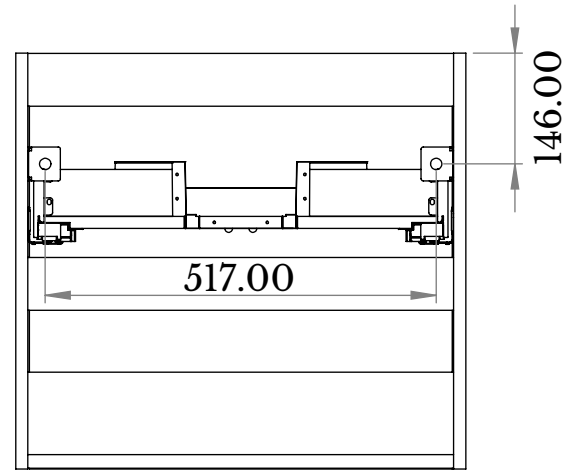
34 ST JOHN

Name: SCANALATO 600 2 DRAWER

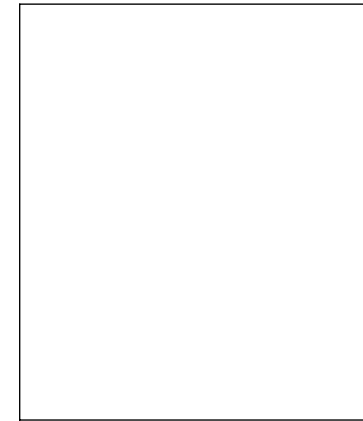
Code: JSL60.



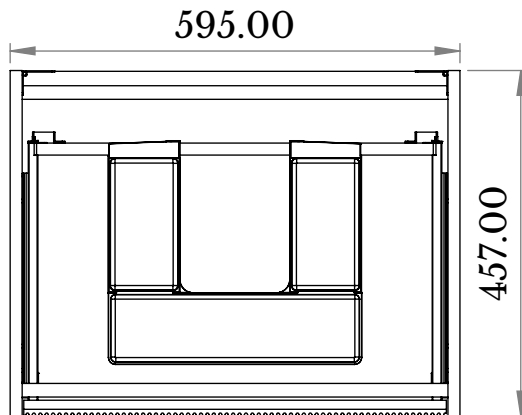
Front Elevation



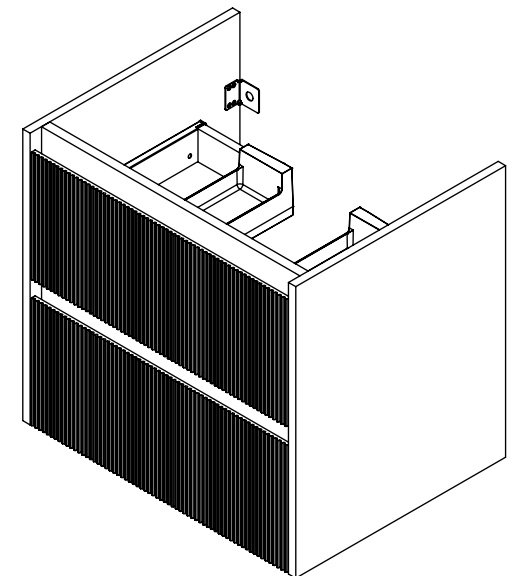
Back Elevation



Side Elevation



Top View



All dimensions are shown in mm