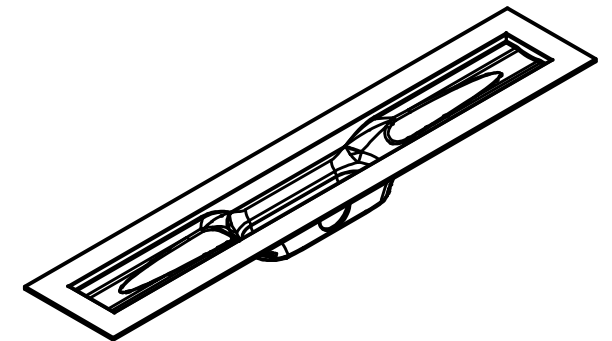
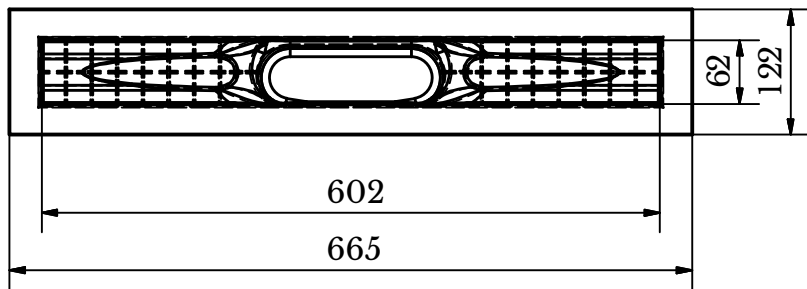
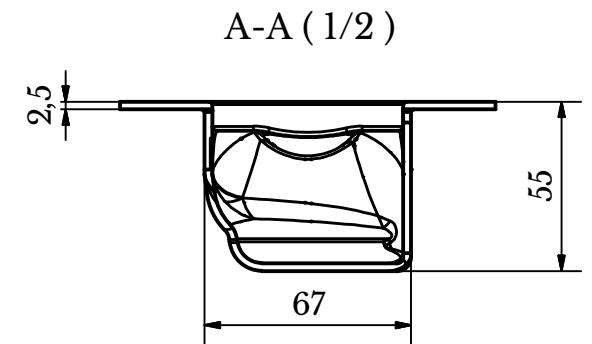
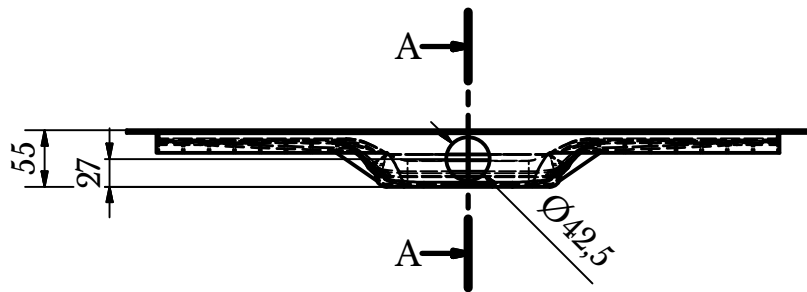


34 S^T JOHN

Name: LINEAR 60 DRAIN FOR SCREED FLOORS

Code: SCR60



All dimensions are shown in mm