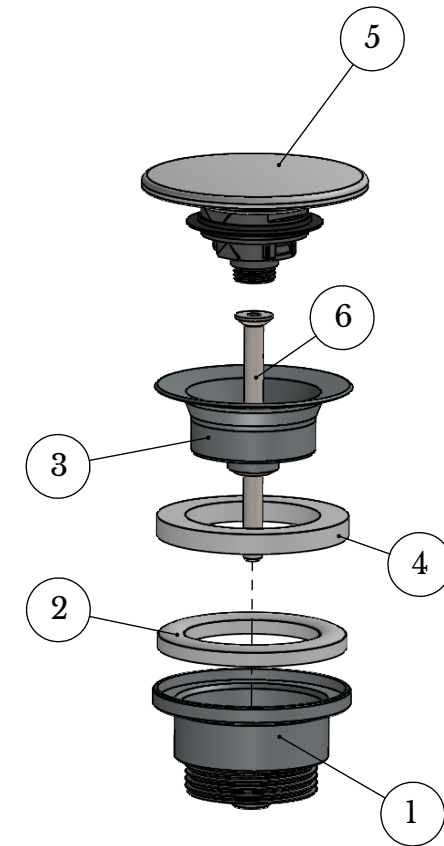
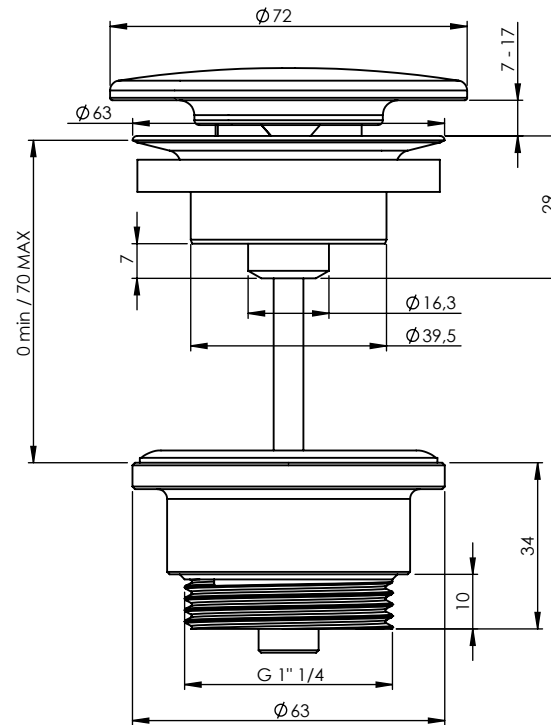


34 ST JOHN

Name: BEYONDSTONE FREEFLOW/CLICK CLACK WASTE

Code: EACC582



Pos.	Code	Description	Material	Finish	Q.ty	Note
1	C320	Drain body G1" 1/4	CW617N	Chrome	1	
2	GU008	White gasket G1"1/4	PVC 65 ShA		1	
3	P320	Main body G1" 1/4	CW617N	Chrome	1	
4	GU007	Sponge gasket 1" 1/4	PE 30		1	
5	SKN32	Ø72 Corian plug	Vario		1	
6	V023	Inox screw M6x80 DIN 7991 AISI 304	AISI A2		1	

All dimensions are shown in mm