



Aquasweep

Maintain a
Healthy Aquatic
Environment

- Dock Mount
- Oscillator
- Freestanding
- Floating



We at Scott Aerator thank you for your purchase. It is our goal to ensure you are completely satisfied with your new Aquasweep and it continues to operate smoothly for many years to come. Please take a few moments to read through this document for proper assembly, installation and maintenance to maximize the operating life of the unit.

In This Guide

Aquasweep Dock Mounting (Page 3)



This Kit Includes

- 1 - Aquasweep 8" Housing/Yoke
- 1 - Stainless Steel Debris Shield
- 1 - Stainless-Steel Pole
- 1 - Dock Mounting Plate
- 1 - Packet of Lubricating Compound
- 2 - Thumb Screws
- 3 - Small Self Tapping Screws
- 4 - Large Phillips Head Screws

Tools Needed

- One 5/16" Wrench or Socket Screwdriver
- One Phillips Style Screw Driver
- Two 1/2" Wrenches (Or Pliers)
- Drill and 1/4" drill bit

Aquasweep with Oscillator (Dock Mount Only - Page 4)

This Kit Includes

- 1 - Aquasweep 8" Housing/Yoke
- 1 - Stainless Steel Debris Shield
- 1 - Oscillator Assembly
- 1 - Dock Mounting Plate
- 1 - Packet of Lubricating Compound
- 2 - Thumb Screws
- 3 - Small Self Tapping Screws
- 4 - Large Phillips Head Screws
- 1 - 3/16" Hex Wrench

Tools Needed

- One 3/8" Wrench or Socket Screwdriver
- One Phillips Style Screw Driver
- Two 1/2" Wrenches (Or Pliers)
- Drill and 1/4" drill bit



Aquasweep with Freestanding Pole (Page 5)



This Kit Includes

- 1 - Aquasweep 8" Housing/Yoke
- 1 - Stainless Steel Debris Shield
- 1 - Stainless Steel Pole
- 1 - 4 Prong Stabilizer
- 1 - Dock Post Mounting Bracket
- 1 - Stainless Steel Mounting Pole
- 1 - 24" Driving Sleeve
- 3 - Small Self Tapping Screws

Tools Needed

- One 5/16" Wrench or Socket Screwdriver
- Two 1/2" Wrenches (Or Pliers)

Aquasweep Floating (Page 6)

This Kit Includes

- 1 - Aquasweep 8" Housing/Bracket
- 1 - Stainless Steel Debris Shield
- 1 - Float Platform
- 2 - 3" Eyebolts/Washers/Locks Nuts
- 3 - Small Self Tapping Screws
- 2 - 3/8" x 50' braided nylon rope

Tools Needed

- One 5/16" Wrench or Socket Screwdriver
- Two 1/2" Wrenches (Or Pliers)



Only connect to a GFCI Protected Circuit
Always disconnect the power when swimmers are present
Do NOT use an extension cord to supply power to the motor

Aquasweep Specifications

		1/3 HP 115V	1/2 HP 115V	1/2 HP 230V	3/4 HP 115V	3/4 HP 230V	1 HP 115V	1 HP 230V
SPECIFICATIONS	WATTS	630	670	670	875	940	1094	1210
	AMPS	8	10	5	10.7	6.8	11.5	8.2
	RPM	3450	3450	3450	3450	3450	3450	3450
	GALLONS/MIN	300	400	400	450	450	500	500
	FLOW DISTANCE	40'	50'	50'	60'	60'	75'	75'
	OSCILLATOR DIA	80'	100'	100'	120'	120'	150'	150'

MAXIMUM CABLE RUN IN FEET FROM BREAKER								
CABLE SIZE	12 GA	175'	160'	650'	125'	480'	100'	400'
	10 GA	275'	250'	1020'	200'	760'	150'	630'
	8 GA	430'	390'	1610'	300'	1200'	225'	990'
	6 GA	680'	620'	2510'	500'	1870'	400'	1540'
	4 GA	1050'	960'	3880'	860'	2890'	770'	2380'
	2 GA	1600'	1460'	5880'	1300'	4370'	1160'	3610'
CABLE SUPPLIED		50' 12 GA	50' 12 GA	50' 12 GA	50' 10 GA	50' 12 GA	50' 10 GA	50' 12 GA

DO NOT USE AN EXTENSION CORD TO SUPPLY POWER TO THE MOTOR

Parts and Accessories



Propeller
Part # 30005



Oscillator Kit
Dock Mount Only
Part #165750



Dock Mounting Plate
Part #20026



Dock Post
Mounting Bracket
Part #16501

For additional replacement parts, contact us at 800-928-3745

Maintenance, Winterizing, Storing

Our products require very little to no maintenance. Under normal operating conditions, you should enjoy many years of trouble-free service from the unit. As a rule of thumb, the propeller assembly on our Aquasweep should be changed every three years. This is a simple procedure that can be done on-site. When the unit is removed from the water for the propeller switch, it would be a good opportunity to wash the unit down with high-pressure water. Once the unit is clean, a visual inspection of the entire Aquasweep is recommended to be certain nothing is restricting water flow.

The Aquasweep has been engineered to be operated all year or unplugged and left installed throughout the winter. If the Aquasweep is ever removed from the lake or pond, it is essential to store with pump submerged in a 5 gallon bucket of water to avoid damage to the pump seals.

Dock Mount Assembly and Installation



Determine location that will best position the Aquasweep to clear debris, in a minimum water depth of 12". Adjust depth 4" from lake bottom. See back page for additional guidelines.

Check that the dock framing is sturdy and will accept mounting bracket screws. Housing angle and direction can be adjusted as needed to clear muck and debris a full 360° area.



For repositionable installation along longer docks, consider fastening dock mounting bracket to a 2" x 10" x 24" board using 1-1/4" screws and secure to dock with sturdy C-clamps. (items not included in kit)



(Optional) Dock Post Mounting Bracket available Fits posts up to 2-1/2" Dia. Part #16501 Accommodates Larger U-clamp rings up to 4" Dia.

1. Begin the assembly of your Aquasweep dock-mount model by removing the stainless-steel bolt taped to the yoke assembly. Adjust the Aquasweep housing 90° to the yoke. Insert the bolt with a washer through the curved adjustment slot and corresponding hole in the housing. Add a washer and nut from inside the housing and tighten using two 1/2" wrenches. Fig. 1
2. Next, align the 3 holes on the stainless steel debris shield with the three pre-drilled holes on the housing and fasten with the 5/16" self-tapping screws provided. Fig. 2
3. Secure the dock mounting bracket to your wooden or metal dock, utilizing the 4 Phillips head screws. If necessary, drill pilot holes to prevent cracking of deck material. Fig. 3
4. Once the dock mounting bracket has been secured, the stainless-steel pole can be inserted through the dock mounting bracket. Simply loosen the 2 thumb screws from the dock plate sleeve, insert the pole from the top through the sleeve by

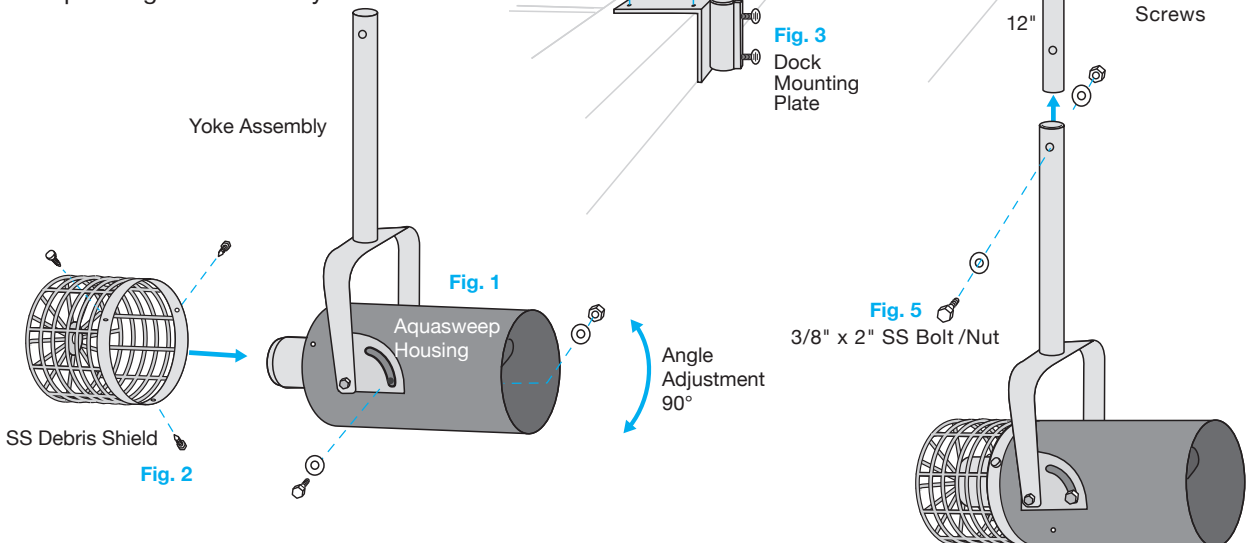
approximately 12 inches, and then retighten the 2 thumb screws. Fig. 4 Oscillator Fig. 6

Adjust for varying water levels by loosening the 2 thumb screws from the dock mounting bracket and raising or lowering the Aquasweep. Please note, the 2 thumb screws are coated with a special lubricating compound specifically designed for stainless-steel to ensure proper function. An extra packet of this compound has been included with your Aquasweep purchase; periodic lubrication of the 2 thumb screws is required for years of problem free use and for warranty validation.

5. Now, slide the yoke assembly over the bottom of the stainless-steel pole and secure with the bolt, washers and nut provided. Fig. 5
6. Finally, power can be supplied to your Aquasweep utilizing a standard 110 or 230 volt receptacle protected by a GFCI.

For oscillator installation, continue on page 4

! Extension cords must not be used. Always disconnect power when swimmers are present.

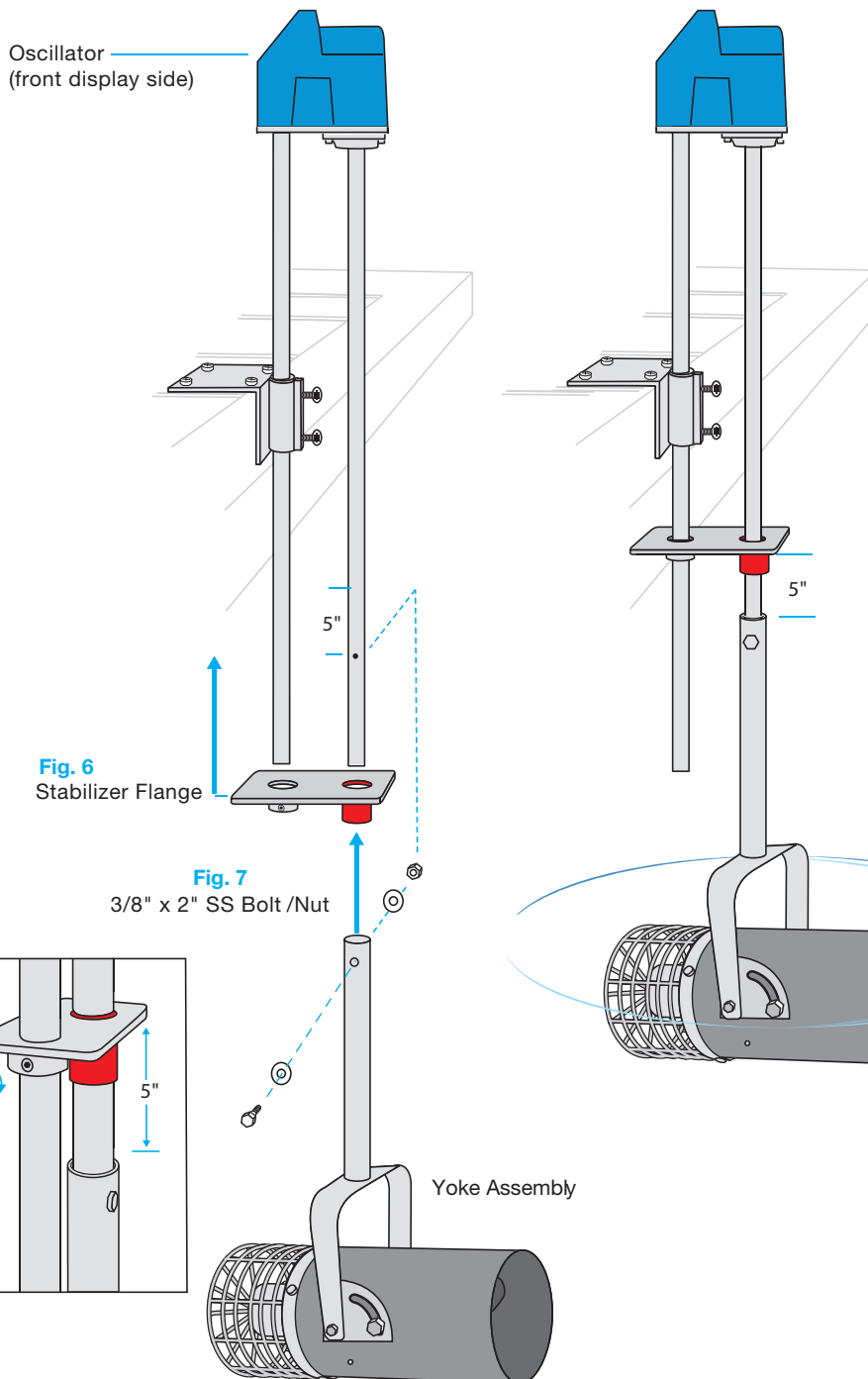


Oscillator Assembly and Installation (Dock Mount Aquasweep Only)

Our fully programmable oscillator attachment makes moving muck even easier. No need to turn the Aquasweep in its mounting; the oscillator does it for you! We pre-program the oscillator to rotate the Aquasweep in 20 degree increments every 20 minutes; you set it for any radius you wish. The oscillator attachment can be added to any new or previously installed dock-mounted Aquasweep.



Weatherproof control unit allows for start and stop positioning from 0-359°.



For assembly with a new Aquasweep, follow steps 1-4 for yoke assembly and dock mounting bracket installation on page 3.

If adding to an installed Aquasweep, begin by removing bolt that secures the stainless steel pole to the yoke assembly. The oscillator replaces the stainless steel pole on your dock mount Aquasweep.

5. Slide the Stabilizer Flange up onto both Oscillator poles, with the red bushing facing downward on the rotating AquaSweep pole. Do not tighten at this time. Fig. 6
6. Slide the yoke assembly over the bottom of the rotating pole with stainless steel debris shield facing towards front display. Secure with the bolt, washers and nut provided. Fig. 7
7. Secure the Stabilizer Flange 5" from the upper edge of the yoke with the supplied hex wrench. Fig. 8

See back for setting the Aquasweep controls

! Extension cords must not be used. Always disconnect power when swimmers are present.

Freestanding Aquasweep Assembly and Installation



Determine location that will best position the Aquasweep to clear debris, in a minimum water depth of 12". Adjust depth 4" from lake bottom. See back page for additional guidelines.

Ground should be solid enough to ensure stable pole mounting. Housing angle and direction can be adjusted as needed to clear muck and debris a full 360° area.

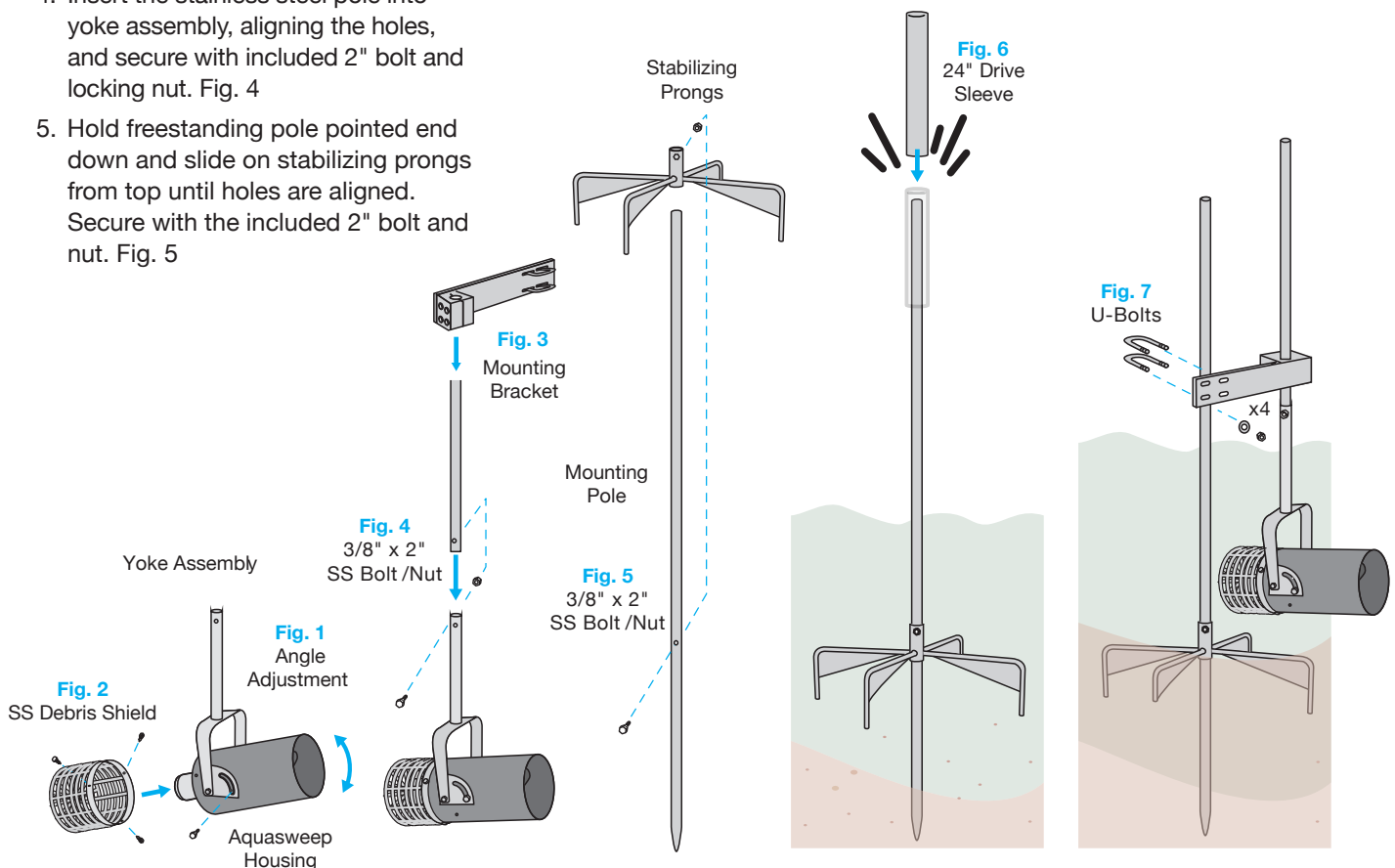


It is best to have two people during installation.

1. Begin by removing the stainless-steel bolt from the yoke assembly. Adjust the gray Aquasweep housing 90° to the yoke and tighten bolt. Fig. 1
2. Next, align the 3 holes on the stainless steel debris shield with the 3 pre-drilled holes on the housing and fasten with the 3 small self-tapping screws provided. Fig. 2
3. Secure the mounting bracket to the stainless steel pole. Loosen screws, slide over pole near top edge of the yoke, align in same direction as hole that secures yoke assembly and re-tighten bolts. Fig. 3
4. Insert the stainless steel pole into yoke assembly, aligning the holes, and secure with included 2" bolt and locking nut. Fig. 4
5. Hold freestanding pole pointed end down and slide on stabilizing prongs from top until holes are aligned. Secure with the included 2" bolt and nut. Fig. 5
6. Push the pronged mounting pole into the bottom of the lake/pond in the desired position. The location should be no less than 12" deep. Slide the included 24" drive sleeve over the top of the freestanding pole and pound the mounting pole into the lake/pond bottom until secure. Fig. 6
7. Now, secure the Aquasweep assembly to the freestanding pole with 2 U-bolts, washers and nuts. Fig. 7
8. Adjusts for varying water levels by loosening the 2 U-bolts and raising or lowering the Aquasweep.
9. Finally, power can be supplied to your Aquasweep utilizing a standard 110/230 volt receptacle protected by a GFCI.



Extension cords must not be used. Always disconnect power when swimmers are present.



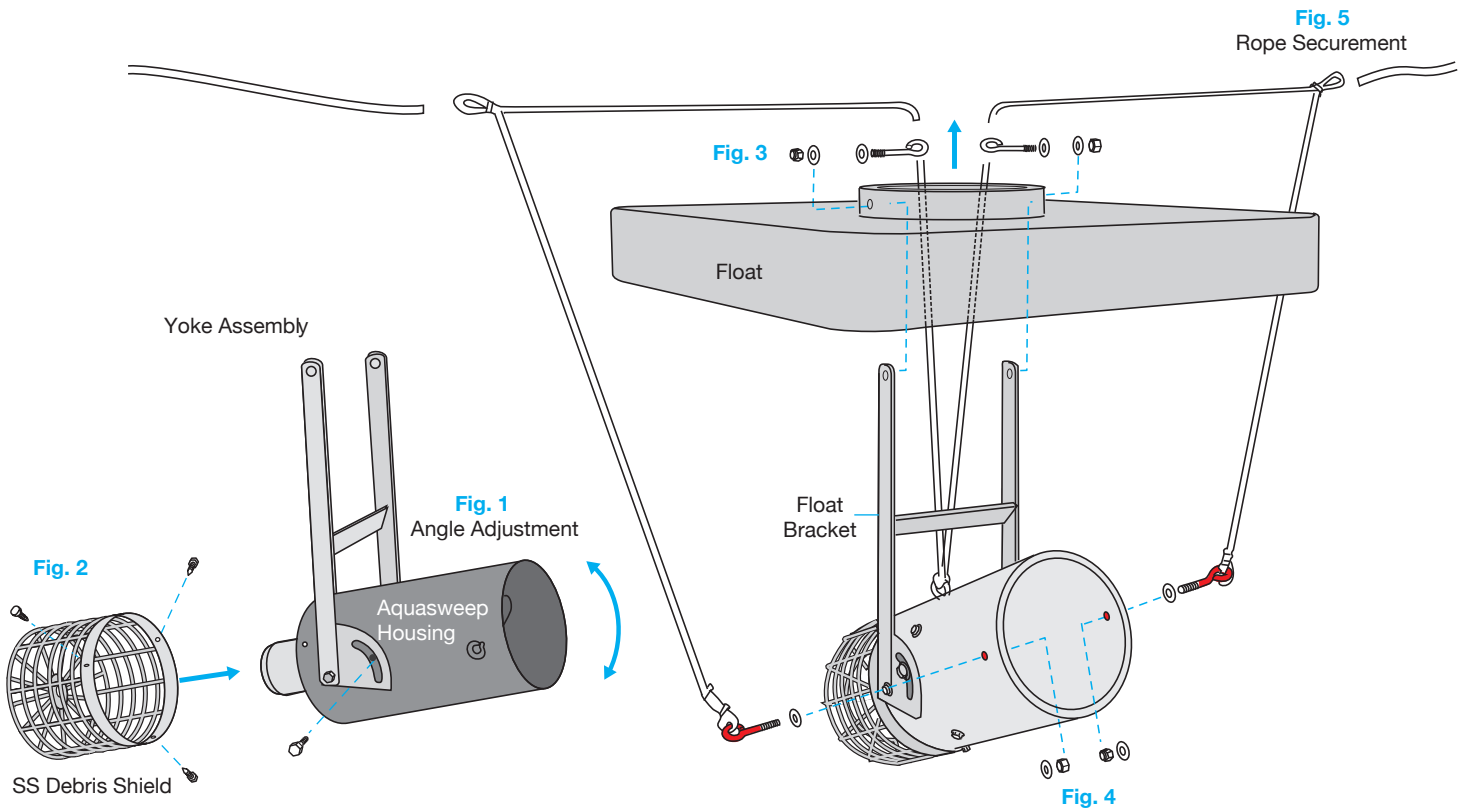
Floating Aquasweep Assembly and Installation



A great solution for extending Aquasweep performance beyond the dock or in greater depths.



1. Remove hex cap bolt, washer and locking nut from the float bracket. Tilt the float bracket to align holes to the desired angle of water flow, typically 45°, and re-secure. Fig. 1
2. Next, align the 3 stainless steel debris shield holes with the 3 pre-drilled holes on the housing and fasten with the 3 small self-tapping screws provided. Fig. 2
3. Place float above the float bracket. Align the holes in the float with the top hole in the float bracket. Draw the rope up through the float. Insert the long eyebolts and washer from inside, through float bracket and float and secure with washers and locknuts. Fig. 3
4. Feed the red eye-bolts through the red marked holes in the housing and secure with washers and locknuts. Fig. 4
5. Tie 2 lengths of rope included with the unit to the loops in the white rope. Secure rope ends as low as possible to docks or pilings and adjust tension to achieve position that works best. If the float has a tendency to rise when the unit is on, move loops down 3-4 inches. Fig. 5
6. Finally, power can be supplied to your Aquasweep utilizing a standard 110/230 volt receptacle protected by a GFCI.

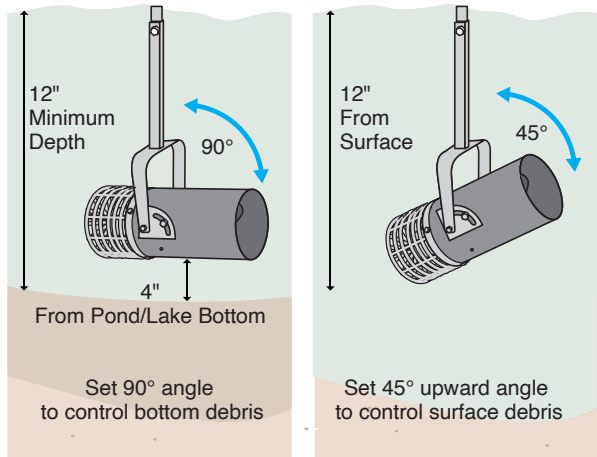


! Extension cords must not be used. Always disconnect power when swimmers are present.

Oscillator Programming Instructions

1. Plug in - green power light will be ON
2. Press Setup button - red power light will come ON
3. Press and hold button with arrow pointing right, until desired end point is reached
4. Release button - red light will flash fast.
5. Press Setup button to lock position - red light will stop flashing.
6. Press and hold button with arrow pointing left until desired end point is reached. Release button - red light will flash slow.
7. Press Setup button twice - red light goes out, green power light comes ON. Settings retained even after powered off.

Angle Adjustment

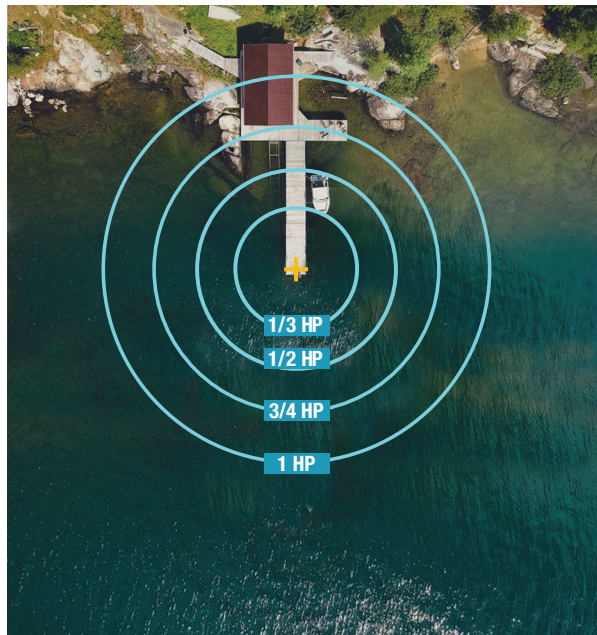


Lake Bottom Coverage

- 1/3 HP Up to 80 foot diameter
- 1/2 HP Up to 100 foot diameter
- 3/4 HP Up to 120 foot diameter
- 1 HP Up to 150 foot diameter

Surface Water Flow

- 1/3 HP Up to 150 foot diameter
- 1/2 HP Up to 200 foot diameter
- 3/4 HP Up to 300 foot diameter
- 1 HP Up to 400 foot diameter



The Scott Aerator Awesome Warranty

All standard Scott Aerator products are unconditionally warranted for five years against motor defects in materials or workmanship, under normal operating conditions. All other product components are warranted for one year from date of purchase. Scott Aerator will repair or replace failed parts under warranty when the defective unit is returned to the factory, shipping prepaid, and factory inspection establishes that the part was defective. The unit must be returned to the factory prior to shipment of replacement parts. All parts replaced under this warranty will be returned with shipping prepaid. Scott Aerator will not be liable for consequential damage nor for any costs associated with removal or attempts to repair components in the field.



Made in America



13245 Barry Street, Holland, MI 49424
 scottaerator.com information@scottaerator.com
 800-WATER-45 (800-928-3745) (616) 392-8882