

RV SERIES

Rotary Vane Compressors



Models:

RV33, RV332,
RV75, RV752,
RV100, RV1002

The EasyPro Stratus RV Series rotary vane compressors are specifically designed for the demanding job of 24 hour operation. The oil-less design makes them ideal for pond aeration systems. Available in 1/4, 3/4 and 1 hp, 115v and 230v.

Units include:

- External air inlet filter
- Internal filters
- 6' power cord

Features:

- Quieter operation than similar compressors
- Universal dual voltage motor
- Oil-less operation
- Thermal overload protection
- High flow, pulse free air production
- Sealed bearings
- Low maintenance with easy to service vane and filters
- 1 year warranty
- Maximum psi 10

Specifications:

Model	RV33 – RV332 (0523)	RV75 – RV752 (1023)	RV100 – RV1002 (1423)
HP	1/4	3/4	1
Volt/Hz	115v/60Hz – 230v/60Hz	115v/60Hz – 230v/60Hz	115v/60Hz – 230v/60Hz
Motor Type	4 Pole	4 Pole	4 Pole
Air Flow @ PSI	CFM	CFM	CFM
0	4.5	10.0	13.5
2	4.4	9.7	12.5
4	4.2	9.5	12.2
6	4.0	9.4	11.7
8	3.8	9.2	11.2
10	3.6	9.0	10.5
Inlet/Outlet Size	1/4" fpt	3/8" fpt	3/8" fpt
RPM	1725 60Hz	1725 60Hz	1725 60Hz
Amps* (115–230)	5.0 – 2.5	12 – 6	14 – 7
Watts* (output)	220w - 420w	370w - 800w	570w - 1100w
Noise Level (less muffler)	<70 dB	<70 dB	<79 dB
Weight	30 lbs.	47 lbs.	54.5 lbs.

*Varies based on operating conditions

RV SERIES

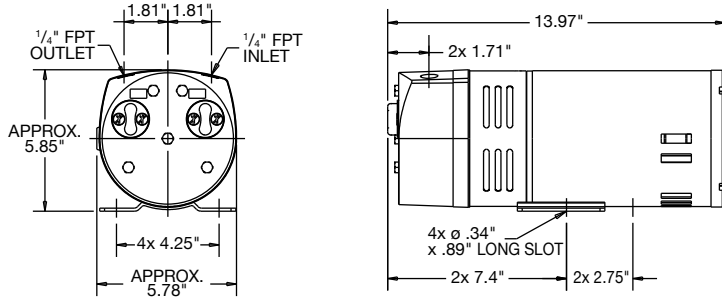
Rotary Vane Compressors



Dimensions:

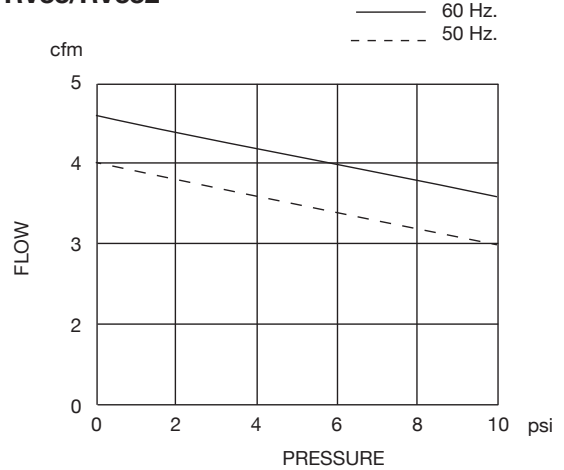
- All dimensions are for reference use only
- Technical data subject to change without notice

RV33/RV332

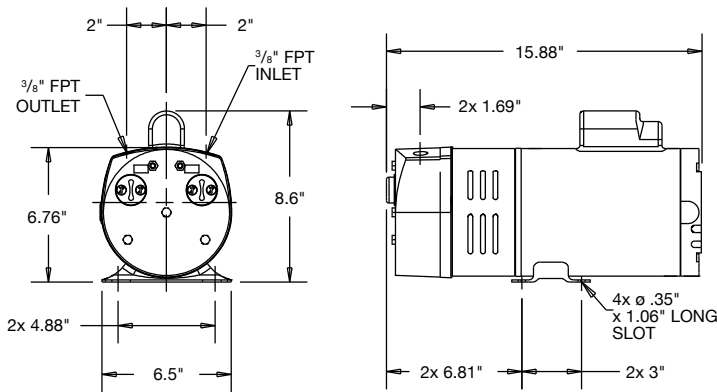


Performance Curves:

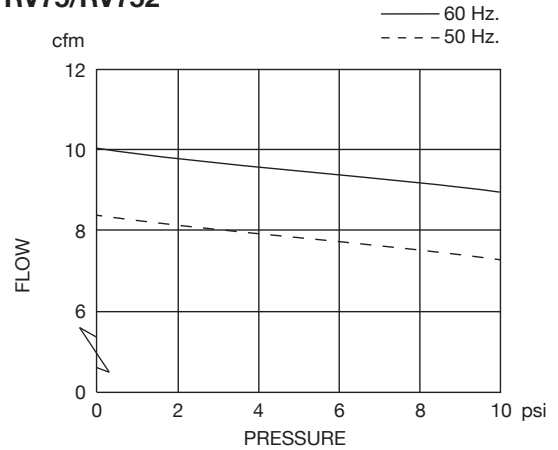
RV33/RV332



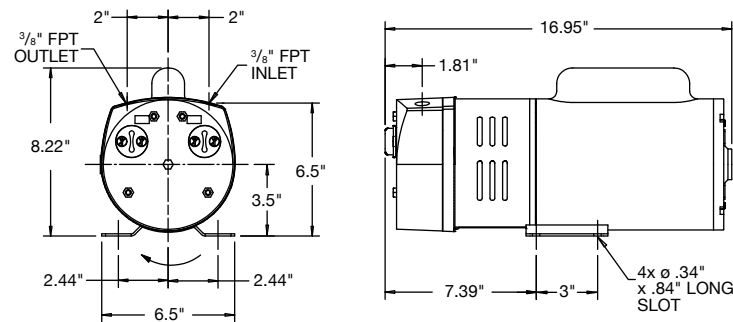
RV75/RV752



RV75/RV752



RV100/RV1002



RV100/RV1002

