

AIRMAX[®]



Shallow Water Series[®]
SW20 & SW40

Owner's Manual



Shallow Water Series
SW20 & SW40
 MAX DEPTH 6'



THANK YOU FOR CHOOSING
The Airmax® Aeration System

See Video Instructions of
 the Airmax Aeration System
 Installation Online



[See Other Languages Online](#)

ENGLISH

SECTION		PAGE
1	System Components	4
2	System Installation	5-8
3	Initial Start-Up & Seasonal Operation	8
4	Maintenance	9
5	Troubleshooting	9
6	Replacement Parts / Accessories	10
7	Warranty	19

Important Safety Instructions

- Read all operating instructions carefully.
- To reduce the risk of electric shock, connect only to a properly grounded, grounding-type receptacle. If in doubt, have the outlet checked by a qualified electrician.
- This unit is to be used in a circuit protected by a ground fault circuit interrupter (GFCI).
- Disconnect unit from power source before handling or conducting maintenance.
- Repair or exchange of cable/power cord must be carried through by the supplier/manufacturer.
- This unit has not been investigated for use in swimming pool areas.
- Airmax is not responsible for equipment damage or failure, losses, injury or death resulting from failure to follow safety precautions, misuse or abuse of equipment.

CAUTION

- Never connect to an extension cord, which can result in equipment failure.
- Do not allow anything to rest on the power cord.
- Do not place the cabinet where people may step on the power cord.
- Never override or "cheat" electrical or mechanical interlock devices.
- Never attempt any maintenance function that is not specified in the user manual.
- Never operate the system if unusual noises or odors are detected. Disconnect the power cord from the outlet and call for service.
- This appliance is not intended for use by persons (including children) with reduced physical, sensory, or mental capabilities, or lack of experience and knowledge, unless they have been given supervision or instruction concerning the use of the appliance by a person responsible for their safety.
- Children should be supervised to ensure that they do not play with the appliance.
- The appliance is to be supplied through a residual current device (RCD) having a rated residual operating current not exceeding 30 mA.

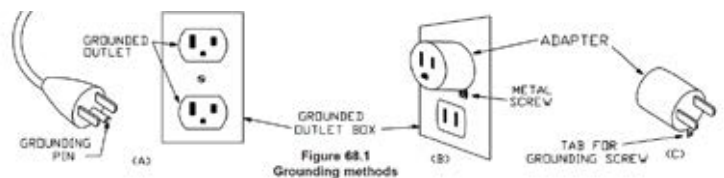


WARNING – Improper installation of the grounding plug increases risk of electric shock. When repair or replacement of the cord or plug is required, do not connect the grounding wire to either flat blade terminal. The wire with insulation having an outer surface that is green with or without yellow stripes is the grounding wire.

Check with a qualified electrician or serviceman when the grounding instructions are not completely understood, or when in doubt as to whether the product is properly grounded. Do not modify the plug provided; if it does not fit the outlet, have the proper outlet installed by a qualified technician.

For 120 VAC products: This product is for use on a nominal 120v circuit, and has a grounding plug similar to the plug illustrated in sketch A in Figure below. A temporary adapter similar to the adapter illustrated in sketches B and C may be used to connect this plug to a 2-pole receptacle as shown in sketch B when a properly grounded outlet is not available. The temporary adapter shall be used only until a properly grounded outlet (sketch A) is installed by a qualified electrician. The green colored rigid ear, lug, or similar part extending from the adapter must be connected to a permanent ground such as a properly grounded outlet box cover. Whenever the adapter is used, it must be held in place by a metal screw.

For 230 VAC products: This product is for use on a circuit having a nominal rating more than 120v and is factory-equipped with a specific electric cord and plug for connection to a proper electric circuit. Only connect the product to an outlet having the same configuration as the plug. Do not use an adapter with this product. When the product must be reconnected for use on a different type of electric circuit, the reconnection shall be made by qualified service personnel.



GROUNDING INSTRUCTIONS – This product must be grounded. In the event of an electrical short circuit, grounding reduces the risk of electric shock by providing an escape wire for the electric current. This product is equipped with a cord having a grounding wire with an appropriate grounding plug. The plug must be plugged into an outlet that is properly installed and grounded in accordance with all local codes and ordinances.

Shallow Water Series

SW20 & SW40

PROFONDEUR MAX 6'



MERCI D'AVOIR CHOISI The Airmax® Système d'aération

Voir vidéo Instructions de la
Installation Airmax Système
d'Aération en ligne à



FRANÇAIS

[Voir d'autres langues en ligne](#)

SECTION		PAGE
1	Composants du système	11
2	Installation du système	12-15
3	Démarrage initial et Opération saisonnière	15
4	Entretien	16
5	Dépannage	16
6	Pièces de rechange / accessoires	17
7	Garantie	19

Consignes de Sécurité Importantes

FRANÇAIS

- Lisez toutes les instructions attentivement.
- Pour réduire le risque de choc électrique, connectez uniquement à une mise à la terre, de terre réceptacle. En cas de doute, faites vérifier la prise par un électricien qualifié.
- Cet appareil doit être utilisé dans un circuit protégé par un disjoncteur de fuite de terre (GFCI).
- Débrancher l'appareil de la source d'alimentation avant de la manipulation ou de maintenance.
- Réparation ou l'échange de câble / cordon d'alimentation doivent être menées à bien par le fournisseur / fabricant.
- Cet appareil n'a pas été étudiée pour une utilisation dans des zones de baignade de la piscine.
- Airmax n'est pas responsable des dommages ou défaillances de l'équipement, des pertes, des blessures ou de la mort résultant du non-respect des précautions de sécurité, de la mauvaise utilisation ou de l'abus de l'équipement.

ATTENTION

- Ne jamais se connecter à une rallonge. Cela peut entraîner une défaillance de l'équipement.
- Ne laissez rien reposer sur le cordon d'alimentation.
- Ne pas placer l'armoire où les gens peuvent marcher sur le cordon d'alimentation.
- Ne jamais déjouer ou «contourner» les dispositifs de verrouillage électriques ou mécaniques.
- Ne tentez aucune opération de maintenance qui ne est pas spécifié dans le manuel utilisateur.
- Ne faites jamais fonctionner le système si des bruits ou des odeurs inhabituelles sont détectées. Débranchez le cordon d'alimentation de la prise et appelez le service.
- Cet appareil n'est pas destiné à être utilisé par des personnes (y compris des enfants) ayant des capacités physiques, sensorielles ou mentales réduites, ou un manque d'expérience et de connaissances, à moins qu'elles n'aient reçu une supervision ou des instructions concernant l'utilisation de l'appareil par une personne responsable de leur sécurité.
- Les enfants doivent être surveillés pour s'assurer qu'ils ne jouent pas avec l'appareil.
- L'appareil doit être alimenté par un dispositif à courant résiduel (RCD) ayant un courant de fonctionnement résiduel nominal ne dépassant pas 30 mA.

INSTRUCTIONS DE MISE – Ce produit doit être mis à la terre. Dans le cas d'un court-circuit électrique, la terre réduit le risque de choc électrique en fournissant un fil de fuite pour le courant électrique. Ce produit est équipé d'un cordon muni d'un fil de

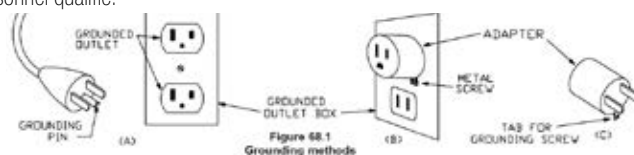
terre avec une fiche de terre. La fiche doit être branchée dans une prise correctement installée et mise en conformité avec tous les codes et règlements locaux.

AVERTISSEMENT – Une installation incorrecte de la prise de terre est en mesure d'entraîner un risque de choc électrique. Lorsque la réparation ou le remplacement du cordon ou de la prise, ne pas connecter le fil de terre à aucune borne à lame plate. Le fil d'un isolant ayant une surface extérieure verte avec ou sans rayures jaunes, est le fil de mise à la terre.

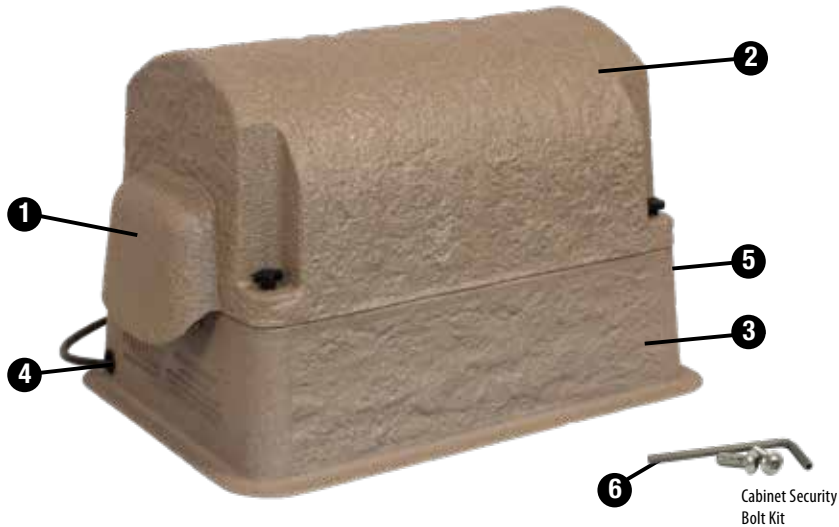
Consultez un électricien ou un réparateur qualifié lorsque les instructions de mise à la terre ne sont pas complètement comprises ou en cas de doute quant à savoir si le produit est correctement mis à la terre. Ne pas modifier la fiche fournie; si elle ne correspond pas à la prise, faites installer une prise adéquate par un technicien qualifié.

Pour 120 produits VAC: Ce produit est destiné à être utilisé sur un circuit nominal de 120v, et a une fiche de mise à la terre semblable à la fiche illustrée par le croquis A dans la figure ci-dessous. Un adaptateur temporaire semblable à l'adaptateur illustré dans les esquisses B et C peut être utilisé pour brancher cette fiche à une prise à 2 pôles comme indiqué dans le croquis B si une prise de terre ne est pas disponible. L'adaptateur temporaire doit être utilisé que jusqu'à une prise de terre (schéma A) est installé par un électricien qualifié. Le vert coloré oreille rigide, cosse, ou une partie similaire se étendant de l'adaptateur doit être connecté à une terre permanente comme un couvercle de la boîte de prise de terre. Chaque fois que l'adaptateur est utilisé, il doit être maintenu en place par une vis en métal.

Pour 230 produits VAC: Ce produit est pour une utilisation sur un circuit ayant une puissance nominale supérieure à 120v et est équipé en usine avec un cordon électrique spécifique et branchez pour la connexion à un circuit électrique approprié. Seulement connecter le produit à une prise ayant la même configuration que la fiche. Ne pas utiliser un adaptateur avec ce produit. Lorsque le produit doit être reconnecté pour une utilisation sur un type de circuit électrique différente, la reconnexion doit être faite par du personnel qualifié.



Airmax Composite Cabinet



1. Enhanced Cooling System tunnels air flow evenly through the cabinet with a high flow cooling fan
2. Composite cabinet with removable top protects components while providing easy access
3. Elevated base protects against damaging flood water
4. Pre-wired electrical box simplifies electrical connections for easy setup
5. Dual Air Filters – High density cabinet intake pre-filter and compressor air filter maximize the life of the system
6. Cabinet Security Bolt Kit protects your investment from unwanted guests

Cabinet Size: 23"L x 17"W x 15"H

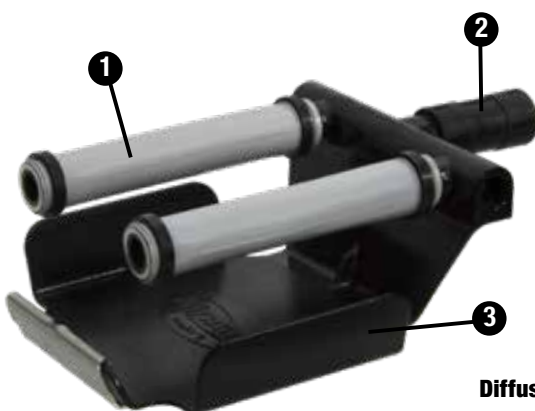
SilentAir™ LR Series Linear Diaphragm Compressor



1. High efficiency, linear diaphragm compressor
2. Air Filter maximizes the life of the compressor
3. Rubber compressor mounts reduce noise and vibration for silent operation
4. Airflow manifold simplifies airflow management to individual diffusers
5. Heat-resistant $\frac{3}{8}$ " flex tube protects against high temperatures of the compressor
6. Airline quick disconnects for easy system removal and storage

Note: These systems are designed for ponds up to 6' deep. Operating a shallow water system at depths greater than 6' will void warranty and cause premature failures.

ProAir® 2 Weighted Diffuser



1. PTFE non-stick 6" membrane diffuser sticks provides the synergy of air stones while being virtually maintenance-free
2. Check valve prevents back pressure to compressor
3. Weighted design keeps diffuser submerged while maintaining an upright position during installation

Diffuser Size: 14.75"L x 8"W x 3.75"H

EasySet™ Airline



- Self-Weighted Airline: 3/8" 100' Roll (#510118), 5/8" 100' Roll (#510119): Lead-free weighted airline is made of durable PVC composite. Fish hook resistant and kink-free. Use from pond's edge to diffuser.
- Direct Burial Airline: 5/8" 100' Roll (#510120) Flexible, yet kink-free. Bury from cabinet and compressor to pond's edge when placing the cabinet and compressor away from the pond.

*Depending on the type of installation, additional connector kits may be required. See section 6 for connector kits.

Tech Specs:	Running Amps	Volts	Max CFM	Power Cord	Max Pond Size	Max Depth	# Diffusers
SW20	.43	115v	2.5	6'	¼ Acre	6'	2
SW40	.87	115v	4.9	6'	½ Acre	6'	4

Tools Required:

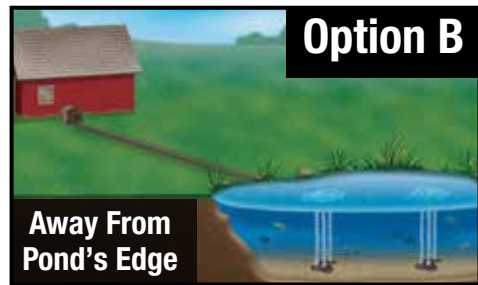
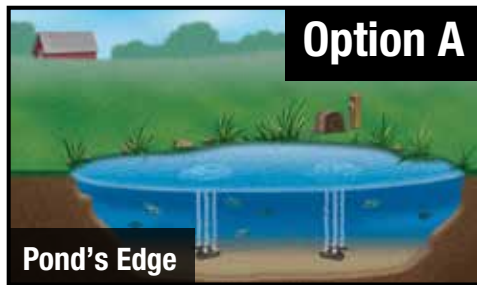
- Placement rope
- Level
- Small stone or gravel
- Rake
- Coast Guard-approved life jacket
- Utility razor knife
- Boat/Raft/Swimsuit
- Shovel
- Flathead screwdriver

See Video Instructions of the Airmax Aeration System installation online



STEP ONE: Select a Location for the Aeration Cabinet


- Locate cabinet on a solid surface with adequate strength for the weight of the unit.
- Locate cabinet away from irrigation sprinklers.
- Cabinet must always remain above the high water mark.
- * Attention:** For airline runs longer than 100', connector kits are required (sold separately). See Replacement Parts (Page 10).



Option B with Remote Manifold

Use a single airline from cabinet to shoreline with valves at pond's edge.

Learn about installing an optional Remote Manifold Kit online at airmaxeco.com/RemoteManifold



If a power source is available near the pond's shore, locate the cabinet at the pond's edge for quicker installation.

If a power source is not available near the pond's shore or you would prefer to install the cabinet in another location, install Direct Burial Airline(s) (sold separately) from the cabinet's location to the pond's edge.

STEP TWO: Prepare the Ground Surface and Place the Cabinet



1. Place the cabinet on the ground in the selected location and mark an area 6" wider than the base of the cabinet on all sides.



2. Move the cabinet and remove the sod from the area, filling in with small stone or gravel. This allows for a firm base for the cabinet and for drainage. Open the aeration cabinet by unscrewing the 4 lobed thumb screws. Gently lift the cabinet lid and lay on its side next to the base.



3. Place the cabinet onto the stone base, and use your level to make sure the cabinet is sitting secure and level.

For units purchased with the optional Junction Box, scan for installation procedures



STEP THREE: Excavate Trench and Place Airline(s)

1. Using your shovel, dig a trench from the cabinet to the pond's edge. This trench should be a minimum depth of 8" to protect the airline. We recommend having utility lines marked before you begin digging.

2. Place airline into the trench from the aeration cabinet to the pond's edge.

Option A: (when distance between cabinet and shore is less than 5')

Use EasySet weighted airline. There must be a separate run of airline for each diffuser that will be installed. Leave remaining airline coiled at the pond's edge.

Option B: (when distance between cabinet and shore is more than 5')

Use Direct Burial airline. There must be a separate run of airline for each diffuser that will be installed. Join multiple sections of direct burial airline using 5/8" connector kits. First, slide two hose clamps onto one section of airline. Next insert the 5/8" insert adapter half way into one section of airline and then insert into the next section of airline. Using a flathead screwdriver, secure one of the hose clamps onto each half of the insert adapter (see image on the left).

Option B with Remote Manifold:

Use 1" Direct Burial Airline or PVC Pipe. Only one run of airline is required from the cabinet location to the pond's edge. See Remote Manifold Kit manual or watch the installation video at airmaxeco.com/RemoteManifold for more information.

**STEP FOUR:** Connect Airline(s) to the Compressor Manifold

Option A & B:

Slide a hose clamp onto the airline and insert a 3/4" MPT to 3/8" Barb reducer OR 3/4" MPT to 5/8" Barb reducer into the airline, securing with a hose clamp. Next, hand tighten to one of the quick disconnect flex tubes coming from the compressor manifold. Repeat for each diffuser line.

Option B with Remote Manifold:

Refer to the Remote Manifold Kit manual or watch the installation video at airmaxeco.com/RemoteManifold for more information.

STEP FIVE: Partially Backfill Airline Trench

Backfill the airline trench in a few areas to temporarily keep the airline in place until installation is complete.

STEP SIX: Connect Weighted Airline for Diffusers

Unroll the EasySet weighted airline and remove any twists. Join enough sections of weighted airline, using 3/8" or 5/8" connector kits, so that the airline can rest on the bottom of the pond, from the pond's edge out to the planned location for each diffuser. For Option B installations, connect the weighted airline to the direct burial airline or Remote Manifold Kit at the pond's edge.

Note: Diffusers should be placed equally apart or in areas of low water movement for optimum performance. If you need help choosing the correct location for your diffusers, please contact Airmax or your local dealer.

STEP SEVEN: Assemble and Connect ProAir Diffusers

See the ProAir Diffuser manual for assembling and connecting the diffusers.

STEP EIGHT: Start the Aeration System

Plug the compressor and cooling fan into the power control outlet inside of the cabinet. Plug the cabinet power cord into a GFCI power outlet.

STEP NINE: Install the ProAir Diffusers

Installing Diffusers From a Boat/Raft: Have one person on shore guiding the airline as a second person, using a boat or raft, extends the airline out to the area of the pond where the diffuser will be located. Gently lower the diffuser to the pond bottom using the weighted airline to ensure that the ProAir 2 diffuser remains in the upright position. You may also choose to thread nylon rope through the diffuser manifold and use the nylon rope to gently lower the diffuser until it reaches the pond floor. Release one side of the nylon rope and remove. Repeat until all diffusers are in position.



Installing Diffusers From Shore: For smaller ponds you may choose to install the diffusers from shore. Have one person guide the airline while another walks around the pond with the diffuser. Then thread nylon rope through the diffuser manifold handle. Use the nylon rope and airline to gently guide the diffuser into place. Once set, release one side of the nylon rope and pull to shore. Repeat until all diffusers are in position.

STEP TEN: Adjust Airflow

Bubbles should be noticeable on the pond's surface from the diffuser locations. Adjust the airflow valves on the compressor manifold (For Option B with Remote Manifold, do this step at the remote manifold). Once an adjustment is made, you may need to wait several minutes to see the results at the diffuser location(s).

Note: Deeper placement of diffusers and longer runs of airline will require more flow.

**STEP ELEVEN: Secure Cabinet & Prepare for Start-Up**

Secure the aeration cabinet lid with the 4 lobed screws. Complete backfill on airline trenches and level with a rake. Complete installation by reviewing and following the **Initial Start-Up Procedure in Section 3.**

3. Initial Start-Up & Seasonal Operation

⚠ The circulation of poor quality, low oxygen, deep water to the pond's surface can introduce harmful gases and by-products into the previously healthy upper regions of the water column. These by-products can make the upper regions unfit for aquatic life and could result in fish kill.

Initial Start-Up Procedure To Prevent Fish Kill:

Follow this procedure anytime system has been shut off for an extended period of time.

- Day 1: Run system for 30 minutes; turn system off for remainder of day.
- Day 2: Run system for 1 hour; turn system off for remainder of day.
- Day 3: Run system for 2 hours; turn system off for remainder of day.
- Day 4: Run system for 4 hours; turn system off for remainder of day.
- Day 5: Run system for 8 hours; turn system off for remainder of day.
- Day 6: Run system for 16 hours; turn system off for remainder of day.
- Day 7: Begin running system 24 hours/day, 7 days/week.

Summer Operation

To reduce the risk of fish kills in hot summer months and for optimum aeration benefits, Airmax Aeration Systems should run continuously throughout the summer.

Winter Operation

Owner assumes all responsibility for operating Airmax Aeration Systems during winter months. Operating in freezing conditions on an ice-covered pond will cause large open water areas at diffuser sites. Ice thickness around open areas will be much thinner than the surrounding areas. Airmax strongly recommends that "Danger - Thin Ice" be posted at frequent intervals around pond.

If operating during the winter season, condensation could cause airlines to freeze. If this occurs:

- Use 1 cup isopropyl alcohol in the airline running out to each plate.
- Turn on compressor to push through line and free any ice blockage.

If you choose to turn your system off for the winter, follow the procedure below.

- Unplug your aeration system.
- Disconnect compressor flex tubes from airlines and cap airlines with included winterization caps.
- If Camlock Connector Kits are used, cover airline ends with winterization caps (sold separately).
- Move cabinet and compressor inside to keep dry.

Airmax Aeration Systems are designed for low-maintenance and require minimal scheduled maintenance. Cabinet inlets and outlets should be kept free of debris and weed growth allowing normal ventilation.

- Always unplug system before performing any maintenance or troubleshooting.
- Always unplug system and refer servicing to a qualified electrician when cord is damaged or frayed or when compressor, power control, compressor fan, or other electrical components are producing unusual noises or odors.
- Always use parts that are supplied or approved by Airmax, Inc. Use of other parts may result in poor performance and could create a hazardous situation.

**Local environmental conditions may require more frequent maintenance.

WARNING: *Compressors are equipped with a thermal overload switch. If temperature becomes high enough to trip the overload, the compressor will shut down. It will then automatically start up when temperature decreases as long as power is applied.*

EVERY 3-6 MONTHS – Air Filter: Clean/replace air filter.

Cooling Fan: Check to ensure cooling fan is operating. Hot air should be pulled from the cabinet, not blowing in.

EVERY 6-12 MONTHS – Maintenance Kit: It is recommended to install a maintenance kit every 6-12 months to ensure optimum performance.

EVERY 24-36 MONTHS – Membrane Sticks: We recommend inspecting and/or cleaning the membrane diffuser sticks every 24-36 months, or anytime there is a reduction in bubbles from the diffuser. To clean, use Airmax D-Scale™ (#530298) and a soft cloth.

Watch the Maintenance Kit How-To Video



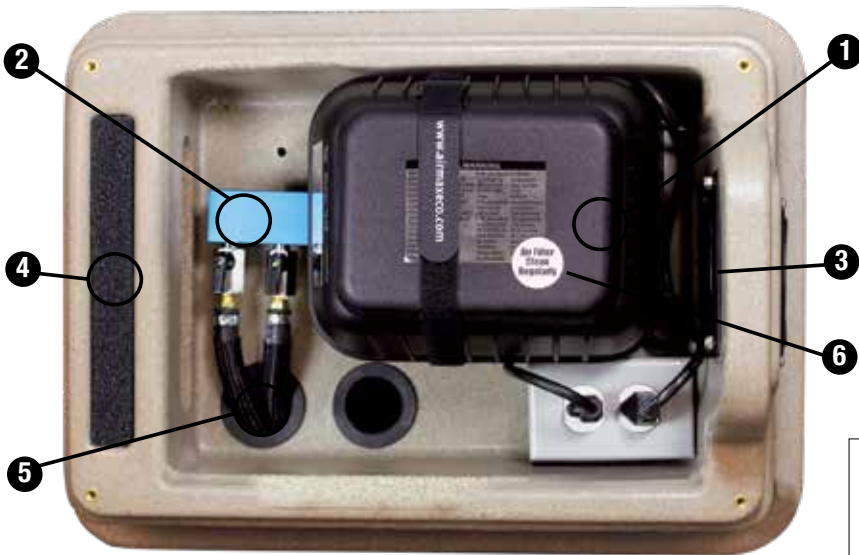
5. Troubleshooting

IF COMPRESSOR IS NOT OPERATING:

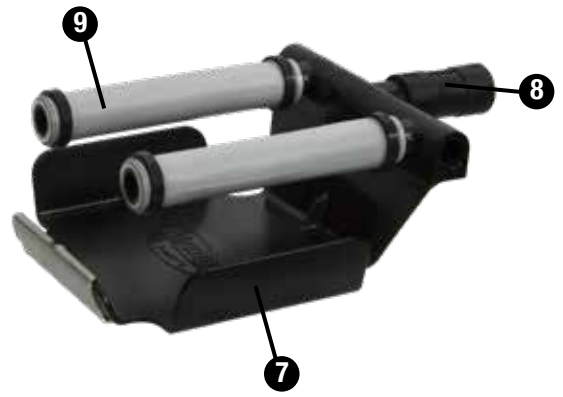
ISSUE	CHECK	LIKELY CAUSE	CORRECTION
Cabinet fan is not running.	Option 1: Check for power.	Compressor and fan are not receiving power.	Open cabinet and ensure the compressor and fan are plugged into the power outlet.
	Option 2: GFCI circuit tripped.	Damage to electrical cord or low voltage from power supply.	Contact Airmax or local dealer for electrical troubleshooting assistance.
	Option 3: GFCI circuit not tripped.	GFCI malfunction.	
Cabinet fan is running.	Check compressor for power.	Compressor is not receiving power.	Open cabinet and ensure the compressor is plugged into the power outlet.

IF COMPRESSOR IS OPERATING:

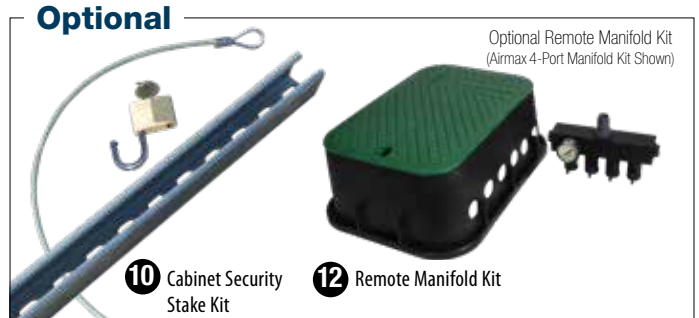
ISSUE	CHECK	LIKELY CAUSE	CORRECTION
No bubbles at any diffuser plates.	Option 1: No air leaks are audible in cabinet. Compressor running louder and possible excessive vibration.	Compressor air filter is dirty/clogged.	Clean or replace air filter. NEVER re-install wet filter.
	Option 2: Compressor operating normally or making unusual noises. Exhibits reduced pressure and/or air flow.	Compressor needs maintenance kit and possibly new air filter.	Contact Airmax or local dealer with specifications for maintenance kit . Clean or replace air filter. NEVER re-install wet filter.
No bubbles at some diffuser plates.	Option 1: Check for leaks at all connections in line and in cabinet. If none are audible, carefully spray SMALL amount of soapy water onto connections and look for bubbles.	Vibration loosened connection or cracked fitting.	Tighten loose connection or replace cracked fitting as necessary.
	Option 2: Are all flow control valves in compressor wide open?	Improper “balancing” of diffusers.	Adjust air flow valves on manifold in cabinet until all diffusers operate properly. See Section 2. System Installation for more information.
	Option 3: Valves in cabinet are properly “balanced” and no leaks are evident.	Compressor beginning to lose compression and needs maintenance kit .	Contact Airmax or local dealer with compressor specifications for maintenance kit .
Large rolling bubbles instead of fine bubbles at surface above one or more diffuser plates.	Inspect each diffuser plate for malfunction.	Diffuser membrane damaged, diffuser plate fitting broken or diffuser plate is flipped over.	Contact Airmax or local dealer for repair/replacement.
Compressor stops working for periods of time, then restarts.	Inspect cooling fan for proper function.	Compressor over-heating due to bad cooling fan.	Contact Airmax or local dealer for fan replacement. If possible, leave top of cabinet open for cooling. Otherwise, unplug system until fan is replaced.
Compressor shakes erratically and is making loud noises.	Option 1: Check for low voltage while compressor is running.	Gauge of supply wires to circuit possibly undersized or cabinet is plugged into extension cord.	If gauge of circuit wiring is incorrect, have electrician replace. NEVER use extension cord to operate system for continual use.
	Option 2: Check for clogged air filter.	Air filter in need of replacement.	Clean or replace air filter. NEVER re-install wet filter.



Cabinet & Compressor



11 Cabinet Security Bolt Kit



Optional

Optional Remote Manifold Kit (Airmax 4-Port Manifold Kit Shown)

10 Cabinet Security Stake Kit

12 Remote Manifold Kit

Cabinet & Compressor Replacement Parts

1. LR Series SilentAir High Efficiency Compressor

- #120912 – LR25 Linear Diaphragm Compressor
- #120913 – LR50 Linear Diaphragm Compressor
- #510147 – LR25 Diaphragm Maintenance Kit
- #510148 – LR50 Diaphragm Maintenance Kit

2. Airflow Manifold Assembly

- #600177 – SW20
- #600178 – SW40

3. #510345 – Cooling Fan for 115v Systems

4. #510395 – Air Intake Pre-Filter

5. #490194 – 3/8" Flex-Tube Assembly

6. Air Filter

- #510158 – LR25 Air Filter, 2 Pack
- #510159 – LR50 Air Filter, 2 Pack

ProAir 2 Replacement Parts

- 7. #490333 – Diffuser Sled
- 8. #490340 – Check Valve
- 9. #510168 – PTFE 6" Membrane Stick
- *#490158 – 1" Marine Stainless Hose Clamp
- *#490227 – 5/8" to 3/4" Insert Reducer Adapter
- *#490225 – 3/8" to 3/4" Insert Reducer Adapter

**Not shown in Diagram*

EasySet Airline

- #510118 – 3/8" Weighted Airline, 100' Roll
- #510119 – 5/8" Weighted Airline, 100' Roll
- #510120 – 5/8" Direct Burial Airline, 100' Roll

Security Kit

- 10. #510430 – Cabinet Security Stake Kit (Optional)
- 11. #510424 – Cabinet Security Bolt Kit

Optional Remote Manifold Kits

- 12. #600194 – Airmax 4-Port Remote Manifold Kit

Connector Kits



3/8" Connector Kit #490204

3/8" to 5/8" Connector Kit #490205

5/8" Connector Kit #490206

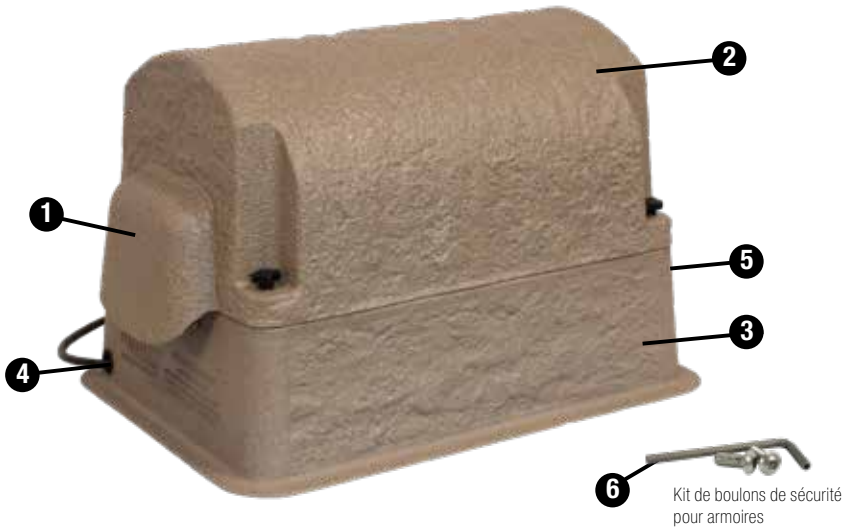
THANK YOU FOR CHOOSING



Cleaning Water Naturally

www.airmaxeco.com

Airmax Cabinet Composite



1. Système de refroidissement amélioré tunnels flux d'air uniformément à travers le boîtier avec un ventilateur de refroidissement à haut débit
2. Armoire composite avec toit amovible protège les composants tout en offrant un accès facile
3. Base surélevée protège contre les eaux de crue dommageable
4. Boîte électrique pré-câblée simplifie les connexions électriques pour une installation facile
5. Filtres double air - aspiration de l'armoire haute densité pré-filtre et le filtre à air du compresseur maximisent la durée de vie du système
6. Le kit de verrouillage de sécurité de l'armoire protège votre investissement de invités indésirables

Taille du Cabinet: 23"L x 17"W x 15"H

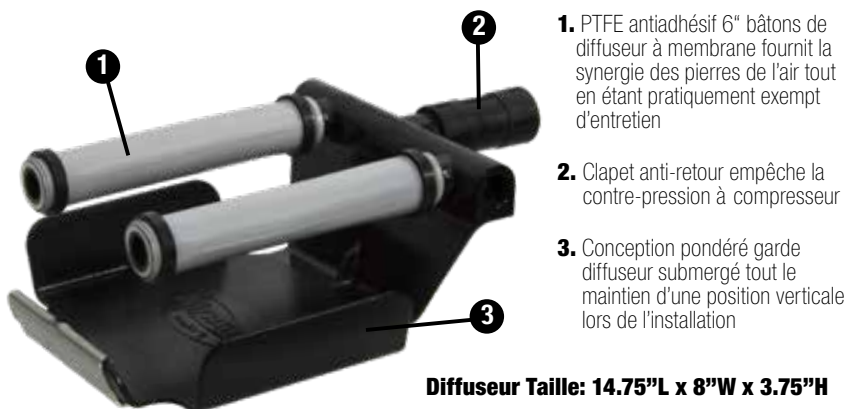
SilentAir™ LR Series Compresseur à Membrane Linéaire



1. Haute efficacité, compresseur à membrane linéaire
2. Filtre à air maximise la durée de vie du compresseur
3. Caoutchouc compresseur monte réduit le bruit et vibration pour un fonctionnement silencieux
4. Collecteur d'Airflow simplifie la gestion des flux d'air diffuseurs individuels
5. Le tube flexible 3/8" résistant à la chaleur protège contre les températures élevées du compresseur.
6. Airline raccords rapides pour faciliter l'enlèvement et le stockage système

Remarque: Ces systèmes sont conçus pour les bassins jusqu'à 6' de profondeur. L'exploitation d'un système d'eaux peu profondes à des profondeurs supérieures de 6' annulera la garantie et provoquer des défaillances prématurées.

ProAir® 2 Diffuseur Pondéré



1. PTFE antiadhésif 6" bâtons de diffuseur à membrane fournit la synergie des pierres de l'air tout en étant pratiquement exempt d'entretien
2. Clapet anti-retour empêche la contre-pression à compresseur
3. Conception pondéré garde diffuseur submergé tout le maintien d'une position verticale lors de l'installation

Diffuseur Taille: 14.75"L x 8"W x 3.75"H

EasySet™ Ligne Aérienne



- Airline auto-pondéré: 3/8" 100' Rouleau (#510118), 5/8" 100' Rouleau (#510119): compagnie aérienne pondéré plomb est faite de biens PVC composite. Hameçon résistant et kink-libre. Utilisez de au bord de l'étang de diffuseur.
- Airline Enfouissement direct: 5/8" 100' Rouleau (#510120) Flexible, encore kink-libre. Enterrez de cabinet et compresseur au bord de l'étang lorsque vous placez l'armoire et le compresseur loin du pond.

*Selon le type de installation, supplémentaire kits de connexion peuvent être équis. Voir la section 6 pour kits de connecteurs.

Spécifications techniques:	Exécution Amps	Volts	Max CFM	Cordon d'alimentation	Max Étang Taille	Profondeur max	# Diffuseurs
SW20	.43	115v	2.5	6'	¼ Acre	6'	2
SW40	.87	115v	4.9	6'	½ Acre	6'	4

Outils nécessaires:

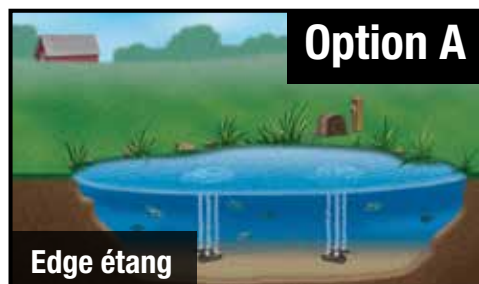
- Nylon Rope
- Niveau
- Petite pierre ou de gravier
- Râteau
- Gilet de sauvetage de la Garde côtière approuvée
- Couteau tout usage
- Bateau / Raft
- Pelle
- Tournevis à tête plate

Voir vidéo Instructions de la Installation Airmax Système d'Aération en ligne



ÉTAPE 1: Sélectionnez un emplacement pour le cabinet d'aération

- Placer l'armoire sur une surface solide avec une force suffisante pour le poids de l'unité.
 - Repérez armoire loin de gicleurs d'irrigation.
 - Cabinet doit toujours rester au-dessus de la marque des hautes eaux.
- * Attention:** Pour la compagnie aérienne qui fonctionne plus de 100', kits de connexion sont nécessaires (vendus séparément). Voir les pièces de rechange.



Si une source d'alimentation est disponible à proximité de la rive de l'étang, localiser l'armoire au bord de l'étang pour une installation plus rapide.



Si une source d'alimentation ne sont pas disponibles à proximité de la rive de l'étang ou vous préférez installer l'armoire dans un autre emplacement, installez Airline(s) Burial Direct (vendu séparément) à partir de l'emplacement de l'armoire au bord de l'étang.

Option B avec collecteur à distance

Utilisez une seule compagnie aérienne du cabinet au littoral avec des vannes au bord de l'étang.



En savoir plus sur l'installation d'un kit de collecteur à distance en option en ligne à airmaxeco.com/RemoteManifold

ÉTAPE 2: Préparer la surface du sol et placez l'armoire



1. Placez l'armoire sur le sol à l'emplacement choisi et marquer une zone 6" plus large que la base de l'armoire sur tous les côtés.



2. Déplacez l'armoire et retirez le gazon de la zone, en remplissant avec une petite pierre ou de gravier. Cela permet d'une base solide pour le cabinet et pour le drainage. Ouvrez l'armoire d'aération en dévissant les 4 vis de pouce lobées. Soulevez délicatement le couvercle de l'armoire et de jeter sur le côté à côté de la base.

3. Placez l'armoire sur la base de pierre et utilisez votre niveau pour vous assurer que le cabinet est assis sécurisé et de niveau.



Pour les unités achetées avec la boîte de jonction en option, recherchez les procédures d'installation



ÉTAPE TROIS: Creuser la tranchée et placer la ou les compagnies aériennes

1. À l'aide de votre pelle, creusez une tranchée entre l'armoire et le bord de l'étang. Cette tranchée doit avoir une profondeur minimale de 8 pouces pour protéger la ligne aérienne. Nous vous recommandons de marquer les lignes de services publics avant de commencer à creuser.

2. Placez la ligne aérienne dans la tranchée de l'enceinte d'aération au bord de l'étang.

Option A: (lorsque la distance entre l'armoire et le rivage est inférieure à 5') Utilisez la compagnie aérienne pondérée EasySet. Il doit y avoir une conduite d'air distincte pour chaque diffuseur qui sera installé. Laissez la ligne aérienne restante enroulée au bord de l'étang.

Option B: lorsque la distance entre l'armoire et le rivage est supérieure à 5') Utilisez la compagnie aérienne Direct Burial. Il doit y avoir une conduite d'air distincte pour chaque diffuseur qui sera installé. Rejoignez plusieurs sections de la compagnie aérienne à enfouissement direct à l'aide de kits de connecteurs 5/8". Tout d'abord, faites glisser deux colliers de serrage sur une section de la conduite d'air. Insérez ensuite l'adaptateur d'insertion 5/8" à mi-chemin dans une section de conduite d'air, puis insérez-le dans la section suivante de conduite d'air. À l'aide d'un tournevis à tête plate ou d'un tourne-écrou, fixez l'un des colliers de serrage sur chaque moitié de l'adaptateur d'insertion (voir l'image à gauche).

Option B avec collecteur distant: Utilisez une ligne aérienne d'enfouissement direct de 1 po ou un tuyau en PVC. Une seule ligne de conduite d'air est nécessaire de l'emplacement de l'armoire au bord de l'étang. Consultez le manuel du kit de collecteur à distance ou regardez la vidéo d'installation sur airmaxeco.com/RemoteManifold pour plus d'informations.

ÉTAPE QUATRE: Connectez la ou les compagnies aériennes au collecteur du compresseur**Option A & B:**

Faites glisser un collier de serrage sur la conduite d'air et insérez un réducteur cannelé 3/4" MPT à 3/8" OU un réducteur cannelé 3/4" MPT à 5/8" dans la conduite aérienne, en le fixant avec un collier de serrage. Ensuite, serrez à la main sur l'un des tubes flexibles à déconnexion rapide provenant du collecteur du compresseur. Répétez l'opération pour chaque ligne de diffuseur.

Option B with Remote Manifold:

Reportez-vous au manuel du kit de collecteur distant ou regardez la vidéo d'installation sur airmaxeco.com/RemoteManifold for more information.

ÉTAPE CINQ: Remblayage partiel des tranchées aériennes

Remblayez la tranchée de la conduite d'air à quelques endroits pour maintenir temporairement la conduite d'air en place jusqu'à ce que l'installation soit terminée.

ÉTAPE SIX: Airline pondérée Coonect pour Diffuseurs

Déroulez la compagnie aérienne pondérée EasySet et supprimer tous les plis ou torsions. Joignez-vous suffisamment de sections aérienne pondérée, en utilisant 3/8" ou 5/8" kits de connecteurs, de sorte que la compagnie aérienne peut reposer sur le fond de l'étang, du bord de l'étang à l'emplacement prévu pour chaque diffuseur. Pour les installations l'option B, connectez la compagnie aérienne pondérée à la compagnie aérienne ou l'enfouissement direct Kit distance Manifold au bord de l'étang.

Note: Diffuseurs doivent être placés aussi en dehors ou dans des zones de circulation d'eau faible pour des performances optimales. Si vous avez besoin d'aide pour choisir le bon emplacement pour vos diffuseurs, s'il vous plaît contacter Airmax ou votre revendeur local.

ÉTAPE SEPT: Assembler et connecter les diffuseurs ProAir

Voir le manuel ProAir Diffuseur pour le montage et le raccordement des diffuseurs.

ÉTAPE HUIT: Démarrer le système d'aération

Branchez le compresseur et le ventilateur de refroidissement dans la prise de contrôle de l'alimentation à l'intérieur de l'armoire. Branchez le cordon d'alimentation de l'armoire dans une prise de courant GFCI.

ÉTAPE NEUF: Installez les diffuseurs ProAir

Installation de diffuseurs à partir d'un bateau/radeau: Demandez à une personne à terre de guider la compagnie aérienne tandis qu'une deuxième personne, à l'aide d'un bateau ou d'un radeau, étend la ligne aérienne jusqu'à la zone de l'étang où le diffuseur sera situé. Abaissez doucement le diffuseur jusqu'au fond de l'étang à l'aide de la compagnie aérienne lestée pour vous assurer que le diffuseur ProAir 4 reste en position verticale. Vous pouvez également choisir d'enfiler une corde en nylon à travers le collecteur du diffuseur et d'utiliser la corde en nylon pour abaisser doucement le diffuseur jusqu'à ce qu'il atteigne le fond du bassin. Relâchez un côté de la corde en nylon et retirez-la. Répétez jusqu'à ce que tous les diffuseurs soient en place.



Installation de diffuseurs depuis le rivage: Pour les petits étangs, vous pouvez choisir d'installer les diffuseurs depuis le rivage. Demandez à une personne de guider la compagnie aérienne pendant qu'une autre se promène autour de l'étang avec le diffuseur. Enfilez ensuite une corde en nylon dans la poignée du collecteur du diffuseur. Utilisez la corde en nylon et la ligne aérienne pour guider doucement le diffuseur en place. Une fois réglé, relâchez un côté de la corde en nylon et tirez vers le rivage. Répétez jusqu'à ce que tous les diffuseurs soient en place.

ÉTAPE 10: Réglez Airflow

Bubbles devraient être visibles à la surface de l'étang à partir des emplacements de diffuseur. Régler les soupapes d'écoulement d'air sur le collecteur du compresseur (Pour les installations Option B avec Manifold à distance, faire au niveau du collecteur à distance). Une fois qu'un réglage est effectué, vous devrez peut-être attendre plusieurs minutes pour voir les résultats à l'emplacement(s) de diffuseur.



Remarque: Le placement Deeper de diffuseurs et de plus longues séries de transport aérien, il faudra plus de débit.

ÉTAPE 11: Fixer l'armoire et se préparer à Start-up

Fixez le couvercle de l'armoire d'aération avec les 4 vis lobées. Compléter le remblai sur les tranchées des compagnies aériennes et niveler avec un râteau. Terminez l'installation en examinant et en suivant la procédure de démarrage initial de la section 3

3. Démarrage initial et Opération saisonnière

⚠ La circulation de mauvaise qualité, faible teneur en oxygène, en eau profonde à la surface de l'étang peut introduire gaz nocifs et sous-produits dans les régions supérieures auparavant en bonne santé de la colonne d'eau. Ces sous-produits peuvent faire les régions supérieures impropres à la vie aquatique et pourrait entraîner dans les poissons-kill.

Procédure de démarrage initial pour empêcher Fish Kill:

Suivez ce système à tout moment de la procédure a été d'arrêt pour une période de temps prolongée.

Jour 1: Fonctionner le système pendant 30 minutes; Éteignez le système pour le reste de la journée.

Jour 2: Fonctionner le système pendant 1 heure; Éteignez le système pour le reste de la journée.

Jour 3: Fonctionner le système pendant deux heures; Éteignez le système pour le reste de la journée.

Jour 4: Fonctionner le système pendant quatre heures; Éteignez le système pour le reste de la journée.

Jour 5: Fonctionner le système pendant 8 heures; Éteignez le système pour le reste de la journée.

Jour 6: Fonctionner le système pendant 16 heures; Éteignez le système pour le reste de la journée.

Jour 7: Commencez système fonctionnant 24 heures / jour, 7 jours / semaine.

Opération Été

Pour réduire le risque de mortalité massive de poissons dans les mois chauds d'été et pour les prestations d'aération optimales, Airmax Systèmes d'aération

doit fonctionner en continu pendant tout l'été.

Opération Hiver

Propriétaire assume toute la responsabilité de l'exploitation Airmax système d'aération pendant les mois d'hiver. Fonctionnant dans des conditions de congélation sur un étang couvert de glace provoquera de grands espaces ouverts de l'eau sur les sites de diffusion. épaisseur de la glace autour des zones ouvertes sera beaucoup plus mince que les zones environnantes. Airmax recommande fortement que "Danger - Thin Ice" sera affiché à intervalles réguliers autour de l'étang.

En cas d'utilisation pendant la saison hivernale, la condensation peut entraîner le gel des compagnies aériennes. Si cela se produit :

- Utilisez 1 tasse d'alcool isopropylique dans la conduite d'air qui s'écoule vers chaque assiette.
- Allumez le compresseur pour pousser à travers la ligne et libérer tout blocage de glace.

Si vous choisissez d'éteindre votre système pour l'hiver, procédez comme suit :

- Débranchez votre système d'aération.
- Déconnectez les tubes flexibles du compresseur des compagnies aériennes et couvrez les compagnies aériennes avec les bouchons d'hivernage inclus.
- Si des kits de connecteurs Camlock sont utilisés, recouvrez les extrémités des conduites d'air avec des capuchons d'hivernage (vendus séparément).
- Déplacez l'armoire et le compresseur à l'intérieur pour les garder au sec.

Airmax Systèmes d'aération sont conçus pour peu d'entretien et nécessite un minimum maintenance planifiée. Entrées et sorties du Cabinet doivent être libres de débris et de croissance des mauvaises herbes permettant une ventilation normale.

- Toujours débrancher le système avant d'effectuer tout entretien ou dépannage.
- Toujours débrancher le système et faites appel à un électricien qualifié si: le cordon est endommagé ou usé, compresseur, commande de puissance, ventilateur de compresseur, ou d'autres composants électriques produisent des bruits ou des odeurs inhabituelles.
- Toujours utiliser des pièces qui sont fournis ou approuvés par Airmax, Inc. L'utilisation d'autres pièces peut entraîner de mauvaises performances et pourrait créer une situation dangereuse.

** Les conditions environnementales locales peuvent exiger un entretien plus fréquent.

AVERTISSEMENT: Les compresseurs sont équipés d'un interrupteur de surcharge thermique. Si la température devient suffisamment élevée pour déclencher la surcharge, le compresseur se arrête. Il commencera alors automatiquement lorsque la température diminue aussi longtemps que l'alimentation est appliquée.

TOUS LES 3-6 MOIS - Filtre à air: Nettoyer/remplacer le filtre à air.

Ventilateur de refroidissement: Vérifier pour assurer le ventilateur de refroidissement fonctionne. L'air chaud doit être tiré de l'armoire, ne souffle pas dans.

TOUS LES 6-12 MOIS - Kit d'entretien: Il est recommandé d' installer un kit d'entretien tous les 6-12 mois pour assurer des performances optimales.

CHAQUE MOIS 24-36 - Bâtons membranaires: Nous recommandons l'inspection et/ou le nettoyage des bâtons de diffuseur à membrane tous les 24-36 mois, ou à tout moment il y a une réduction des bulles du diffuseur. Pour nettoyer, utilisez Airmax D-Scale™ (#530298) et un chiffon doux.

**Regarder le kit de maintenance
Comment à la vidéo**



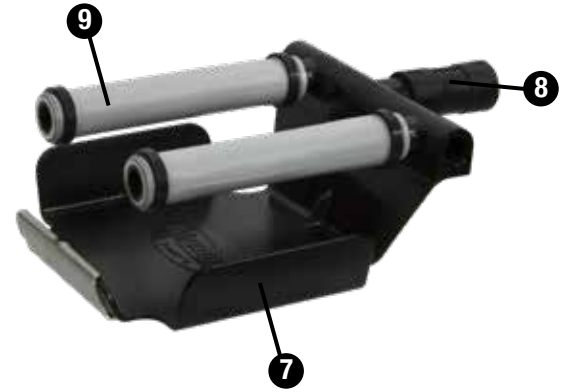
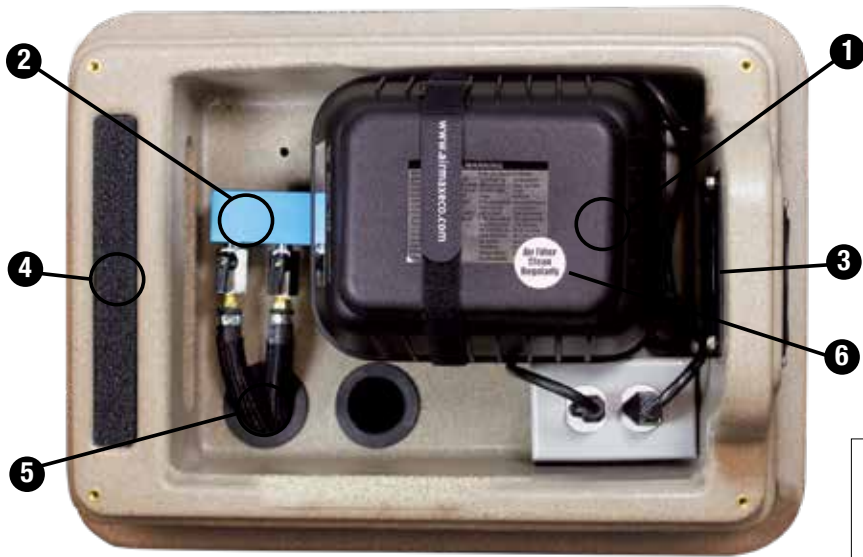
5. Dépannage

SI LE COMPRESSEUR NE FONCTIONNE PAS:

QUESTION	VOIR	CAUSE PROBABLE	CORRECTION
Fan du Cabinet ne fonctionne pas.	Option 1: Vérifier l'alimentation.	Le compresseur et le ventilateur ne reçoivent pas d'alimentation.	Ouvrez l'armoire et assurez-vous que le compresseur et le ventilateur sont branchés sur la prise de courant.
	Option 2: Circuit GFCI déclenché.	Domage pour le cordon électrique ou basse tension de l'alimentation.	Contacter Airmax ou revendeur local pour obtenir électrique Assistance dépannage.
	Option 3: Circuit GFCI ne se déclenche pas.	GFCI malfunction.	
Fan du Cabinet est en marche.	Vérifier la puissance du compresseur.	Le compresseur ne reçoit pas de courant.	Ouvrez l'armoire et assurez-vous que le compresseur est branché sur la prise de courant.

SI COMPRESSEUR EST EN MARCHÉ:

QUESTION	VOIR	CAUSE PROBABLE	CORRECTION
Pas de bulles sur les diffuseurs.	Option 1: Pas de fuites d'air sont audibles dans l'armoire. Compresseur en marche vibrations excessives fort et possible.	Filtre à air du compresseur est sale / bouché.	Nettoyez ou remplacez le filtre à air. JAMAIS ré-installer un filtre humide.
	Option 2: compresseur fonctionnant normalement ou faire des bruits inhabituels. Preuve de moins de pression et / ou le débit d'air.	Compresseur doit kit de maintenance de la membrane et peut-être nouveau filtre à air.	Contactez Airmax ou revendeur local avec les spécifications pour kit de maintenance. Nettoyez ou remplacez le filtre à air. JAMAIS ré-installer un filtre humide.
Pas de bulles à quelques plaques de diffuseur.	Option 1: Vérifier s'il ya des fuites au niveau des raccords en ligne et en cabinet. Si aucun n'est audible, vaporiser soigneusement petite quantité d'eau savonneuse sur les connexions et de chercher les bulles.	Vibration desserré connexion ou fissuré raccord.	Serrer connexion lâche ou remplacer raccord fissuré si nécessaire.
	Option 2: Est-ce que toutes les vannes de contrôle de débit de compresseur grande ouverte?	Une mauvaise "équilibre" des diffuseurs.	Régler les soupapes d'écoulement d'air du collecteur dans l'armoire jusqu'à ce que tous les diffuseurs fonctionnent correctement. Voir la section 2. Installation d'un système de plus d'informations.
	Option 3: Vannes dans l'armoire sont bien "équilibré" et aucune fuite sont évidents.	Compresseur commence à perdre compression et doit kit de maintenance de la membrane.	Contactez Airmax ou revendeur local avec les spécifications de compresseur pour kit de maintenance.
Les grosses bulles de roulement au lieu de fines bulles à la surface ci-dessus une ou plusieurs plaques de diffusion.	Inspectez chaque plaque de diffusion de dysfonctionnement.	Membrane diffuseur endommagé, diffuseur plaque épousant la plaque cassée ou diffuseur est retournée.	Contactez Airmax ou revendeur local avec les spécifications des compresseurs pour le kit de maintenance.
Le compresseur s'arrête de travailler pour des périodes de temps, puis redémarre.	Inspectez le ventilateur de refroidissement pour le bon fonctionnement.	Compresseur surchauffe due à une mauvaise ventilateur de refroidissement.	Contactez Airmax ou revendeur local pour le remplacement du ventilateur. Si possible, laissez le haut du coffret ouvert pour le refroidissement. Sinon, débranchez le système jusqu'à ce fan est remplacé.
Compresseur secoue erratique et fait des bruits forts.	Option 1: Vérifier la faible tension alors que le compresseur est en marche.	Jauge de fils d'alimentation au circuit éventuellement sous-dimensionné ou un meuble est branché sur une rallonge.	Si l'indicateur de câblage du circuit est incorrecte, avoir replace électricien. NE JAMAIS utiliser de rallonge pour fonctionner le système pour une utilisation continue.
	Option 2: Vérifiez si le filtre à air obstrué.	Filtre à air dans le besoin de remplacement.	Nettoyez ou remplacez le filtre à air. JAMAIS ré-installer un filtre humide.



Cabinet & Compresseur Pièces de Rechange

1. LR Séries SilentAir Compresseur haute efficacité

- #120912 – LR25 compresseur linéaire de la membrane
- #120913 – LR50 compresseur linéaire de la membrane
- #510147 – LR25 kit de maintenance de la membrane
- #510148 – LR50 kit de maintenance de la membrane

2. Assemblée du collecteur Airflow

- #600177 – SW20
- #600178 – SW40

3. #510345 – Ventilateur de refroidissement pour les systèmes 115v

4. #510395 – Air Intake pré-filtre

5 #490194 – 3/8" Flex-Tube Assembly

6. Filtre à air

- #510158 – Filtre Air LR25, Paquet de 2
- #510159 – Filtre Air LR50, Paquet de 2

ProAir 2 Pièces de Rechange

- 7. #490333 – Sled Diffuseur** *#490158 – 1" Marine Collier de serrage inoxydable
 - 8. #490340 – Clapet anti-retour** *#490227 – 5/8" à 3/4" Insert Réducteur Adaptateur
 - 9. #510168 – PTFE 6" Membrane bâton** *#490225 – 3/8" à 3/4" Insert Réducteur Adaptateur
- *Non illustré dans le schéma*

EasySet Airline

- #510118 – 3/8" Airline pondéré, 100' Roll
- #510119 – 5/8" Airline pondéré, 100' Roll
- #510120 – 5/8" Airline Direct Burial, 100' Roll

Kit de sécurités

- 10. #510430 – Kit de mise en place du coffret (Optionnel)**
- 11. #510424 – Kit de boulons de sécurité pour armoires**

Optionnels Kits de Manifold à distance

- 12. #600194 – Airmax 4-Port Kit Manifold à distance**

Kits de Connecteurs



3/8" Kits de connecteurs #490204 **3/8" to 5/8" Kits de connecteurs #490205** **5/8" Kits de connecteurs #490206**

MERCI D'AVOIR CHOISI



Cleaning Water Naturally

www.airmaxeco.com

Airmax, Inc.

Airmax Aeration Systems

United States Limited Warranty

Airmax, Inc. warrants to the original purchaser (the end user) of any Airmax Aeration System manufactured by Airmax, Inc. that any aeration system component which proves to be defective in materials or workmanship, as determined by the factory within the timeframe specified below from the shipping date, will be repaired or replaced at no charge with a new or remanufactured part, and returned freight prepaid. The end user shall assume all the responsibility and expense for removal, packaging, and freight to ship to Airmax, Inc. to determine the warranty claim and for all reinstallation expenses.

- Cabinet – 10 Years
- Compressor and Electrical Components – 3 Years
- Airline & Diffusers – 5 Years

The warranty is void in cases where damage results from: improper installation, improper electrical connection, improper voltage, alteration, lightning, careless handling, misuse, abuse, disassembly of motor or failure to follow maintenance or operating instructions. Modification or repair by an unauthorized repair facility will void the warranty. Compressor seals, diaphragms, air filters and diffuser membranes are considered wear parts and are not covered under warranty.

In no case will Airmax, Inc. or its dealers accept responsibility for any costs incurred by the user during installation, removal, inspection, evaluation, repair, parts replacement, or for return freight. Nor will any liability be accepted for loss of use, loss of profits, loss of goodwill, for consequential damage, or for personal injuries to the purchaser or any person.

In the event of problems believed to be covered under warranty, it will be necessary to notify the dealer who will try to help resolve the problem and who may contact the factory for additional assistance. If it is concluded that there may be a defect which may be covered under warranty, it will be necessary to get a Return Material Authorization (RMA) from the dealer before shipment. Freight collect shipments will not be accepted by the factory on warranties or repairs.

The product or part(s) must be returned freight prepaid, to the factory, as directed, and in its original packaging or in a container which will prevent damage. Parts returned under warranty and damaged during shipping will not be covered under warranty for the shipping damage. If the factory evaluation of the returned goods concludes that the failure is due to defects in materials or workmanship, the part or parts in question will be replaced under warranty with new parts, remanufactured parts, or will be repaired; at the factory's option. The warranty period for all parts supplied under warranty will terminate at the end of the original product's warranty. All warranty shipments from the factory will be shipped freight prepaid.

Warranty registration is HIGHLY recommended.

No implied warranties of any kind are made by Airmax, Inc. for its products, and no other warranties, whether expressed or implied, including implied warranties of merchantability and fitness for a particular purpose, shall apply. Should an Airmax, Inc. product prove to be defective in materials or workmanship, the retail purchaser's sole remedy shall be repair or replacement of the product as expressly provided above.

The manufacturer's warranty will begin from the dealer's original purchase date if the product is not registered. To register a product, you are required to fill out the warranty form at airmaxeco.com/warranty. Warranty registration must be submitted directly to Airmax within 30 days of the end-users purchase date. When making warranty claims, end-users may be required to supply their proof of purchase.

Airmax, Inc.

15425 Chets Way Street
Armada, MI 48005

(866) 4-AIRMAX
airmaxeco.com