



AIRMAX[®]

PondSeries[®] Floating Fountain Owner's Manual

- 1/2 HP Fountain • 115v/60Hz • #652597
- 1/2 HP Fountain • 230v/60Hz • #652596
- 1 HP Fountain • 230v/60Hz • #652150
- 2 HP Fountain • 230v/60Hz • #652151

OWNER'S MANUAL FOR:

PondSeries 1/2 HP, 1 HP & 2 HP Floating Fountain



THANK YOU FOR CHOOSING The Airmax® PondSeries Floating Fountain



See in Action | PondSeries Spray Patterns
airmaxeco.com/pondseriesfountains

TABLE OF CONTENTS

SECTION	PAGE
1 System Components	4
2 Safety	3
3 System Installation	4-5
4 Maintenance & Winter Storage	5
5 Troubleshooting - Fountain	5
6 Replacement Parts	6-8
7 Warranty	10

PondSeries Floating Fountain

Owner's Manual

Airmax PondSeries Floating Fountain



- Operating Depth: 36" Minimum
- Includes 3 Spray Patterns: Classic, Trumpet and Crown & Trumpet, Premium Nozzles Available
- 3 Year Warranty

2. Important Safety Instructions

- Under NO circumstances should anyone enter the water with the electrical equipment plugged in and/or in operation.
- Warning - Risk of electric shock. This fountain is supplied with a grounding conductor. To reduce the risk of electric shock, be certain that the fountain control panel is connected only to a properly grounded power source. This fountain has not been approved for use in swimming pool areas.
- ALWAYS use with the appropriate Airmax Control Panel
- NEVER run the unit out of the water. It will damage the seals and create a dangerous situation for the operator.
- NEVER lift or drag the fountain by the power cord.
- During freezing temperatures, remove fountain and store inside.
- If installing the fountain from a boat or raft ALWAYS wear a Coast Guard approved personal flotation device.
- ALWAYS use a qualified electrician to install a power source.

1. System Components



Trumpet

Crown & Trumpet



Classic
(No nozzle required)

Spray Patterns

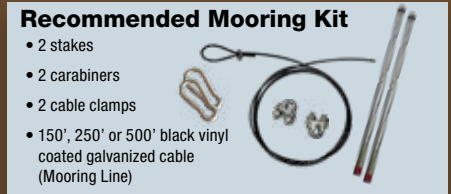
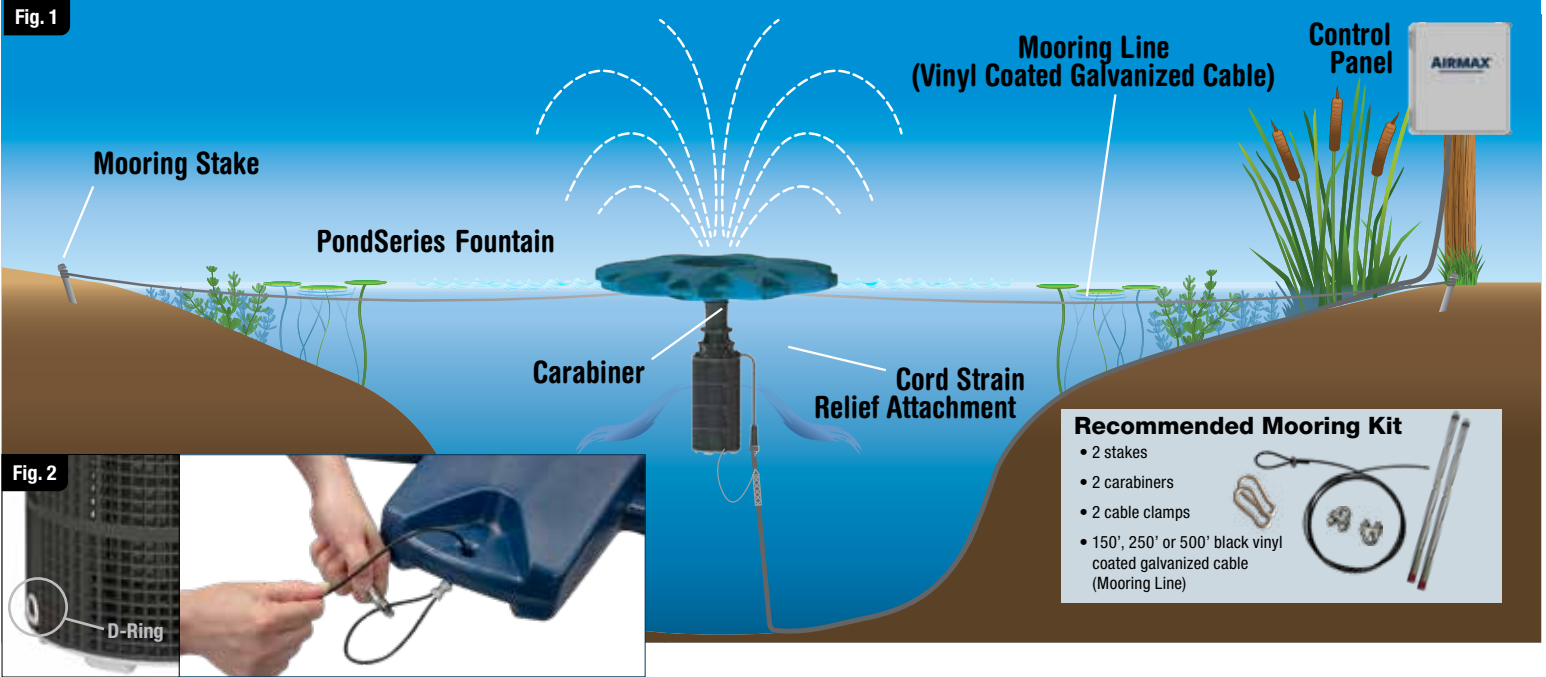


Power Cord w/strain relief cable attachment

Available up to 600' in length.



Airmax Control Panel



A. System Components:

1. Fountain Pump with Quick Disconnect, Float Mount Ring and Classic Spray Pattern (installed)
2. Fountain Float
3. Power Cord
4. Control Panel
5. Crown & Trumpet Spray Pattern (interchangeable)
6. Trumpet Spray Pattern (interchangeable)

Mooring Kit Options:

- #651052 – 150' Mooring Kit
- #651054 – 250' Mooring Kit
- #651055 – 500' Mooring Kit

* Mooring Kit Not Included with Fountain

B. Prepping the PondSeries for Installation:

- 1) Ensure you have power close to your pond. If you don't, we recommend to ALWAYS use a licensed electrician to properly run power down to the pond.
- 2) Mount the Control Panel in a fixed position next to the power source. (For control panel installation and wiring instructions for your fountain and light set, please see control panel manual for details.)
 - a) If you are unable to perform installation of your control panel or light set please contact your Certified Airmax Service Technician and they can perform this installation for you.
- 3) Choose Your Spray Pattern (Fig. 3)
 - a) The PondSeries automatically creates the classic pattern without a nozzle installed; however, the PondSeries includes two additional spray patterns (Trumpet and Crown & Trumpet).
 - b) To change a pattern, simply unscrew the nozzle nut, replace the pattern and reinstall the nozzle nut (hand tighten only). We recommend removing the nozzle nut while displaying the classic pattern.
- 4) Assembling the Unit (Fig. 4)
 - a) Lay the float flat on the ground with Airmax logo facing up.
 - b) Place the fountain pump assembly into the center of the float.
 - c) Lift the float straight up and ensure that the fountain pump lead power cord passes through the center hole. Gently lay the fountain to one side.
 - d) Securely attach the power cord to the fountain pump lead quick disconnect.
 - e) Attach the power cord strain relief to the D-ring on the lower intake basket assembly (Fig. 2)
 - f) Attach a mooring cable (not included) using two outside mounting locations on opposite sides of the fountain float (Fig. 2).



g) Installing the Airmax LED Fountain Light Set (sold separately) (Fig. 5)

- i) To attach the light, clip the light into the mounting spot on the float and use the vertical tension screw to secure the light into place. Continue until all lights are attached. Be mindful of the different lengths of interconnect cord between lights. We recommend clipping up to an 8-light set into the inside mounting positions.
- ii) After attaching the Airmax LED Fountain Light Set to the float, connect the power cord to the light kit quick disconnect. Adjust the lights to point to desired direction.
- iii) Attach the light set power cord strain relief on to one of the loops underneath the float mount ring.



h) Installing the PondSeries Fountain into your Pond or Lake

- i) Pick up the fountain by the float and place into the water. **Note: a minimum of 36" of water is required for proper operation.**
- ii) Tie one side of the mooring rope to a stake and place the stake securely into the ground.
- iii) Take the other stake and mooring rope and walk around the pond, carefully pulling the fountain across the water. Once the fountain is in position, tie the 2nd mooring rope to the 2nd stake and place securely into the ground.
- iv) Ensure both mooring ropes are snug to prevent the fountain from twisting and shifting during operation.
- v) To anchor the fountain using blocks, spread the blocks far apart so the mooring lines are snug and the fountain can not spin from the force of the motor, which could cause the lines to get tangled.

4. Maintenance & Winter Storage

A. Maintenance

- 1) Disconnect ALL power from the fountain and lights before attempting any maintenance.
- 2) Periodically clean fountain intake screen of debris, algae and/or aquatic weeds.
- 3) Periodically clean light set lens with a non-abrasive brush and cleaner.

B. Winter Removal & Storage

- 1) Remove the fountain and lights from the pond before ice begins to form.
- 2) This is the perfect time to clean or power wash any debris on the unit before storing.
- 3) It is recommended to disconnect lights from fountain and store in an area above freezing temperatures.

C. Spring Installation Inspection

- 1) Before re-installing the fountain and lights in the spring, check the condition of the power cord and quick disconnect connectors, and replace any o-rings that may be cracked or missing.

Note

Once lights are installed and clipped into position, adjust lights for desired direction.

5. Troubleshooting - Fountain

IF FOUNTAIN WILL NOT TURN ON

ISSUE	CORRECTION
GFCI tripped	Reset GFCI
Power cord cut	Repair or replace power cord
Intake plugged	Clean intake
Timer not running	Check power to timer & battery back up
Fountain power cord wired improperly	Refer to control panel wiring manual
Not enough water in reservoir	Bring water level up to at least 36" at fountain
Fountain impeller stuck	Remove fountain, clean or replace impeller
Breaker tripped due to overcurrent	Reduce current load on circuit, check other equipment
Breaker tripped to GFCI	1/2 HP check GFCI & breaker 1 & 2 HP check overload & breaker

IF NOZZLE HAS POOR QUALITY STREAMS

ISSUE	CORRECTION
Intake plugged	Clean intake
Not enough water in reservoir	Bring water level up to at least 36" at fountain
Debris caught in nozzle hole	Remove nozzle, clean, replace
Water coming over the float	Check fountain float for water

IF FOUNTAIN STARTS AND STOPS

ISSUE	CORRECTION
Intake plugged	Clean intake
Not enough water in reservoir	Bring water level up to at least 36" at fountain

IF STREAMS RAISE AND LOWER

ISSUE	CORRECTION
Not enough water in reservoir	Bring water level up to at least 36" at fountain
Water coming over the float	Check fountain float for water, replace if any

IF FOUNTAIN IS HUMMING - RUNNING

ISSUE	CORRECTION
Normal running	Nothing

IF FOUNTAIN IS HUMMING - NOT RUNNING

ISSUE	CORRECTION
Intake plugged	Clean intake
Voltage not high enough for starting	Make sure voltage at receptacle is correct
Fountain impeller stuck	Remove fountain, clean replace impeller

* If your issue persists or is not covered in the troubleshooting guide above, please contact your Certified Airmax Service Technician to perform any troubleshooting measures you are uncomfortable or unable to perform yourself. For fountain light set troubleshooting measures, please see the manual included with your light set.

1/2 HP Replacement Parts

652171 – 1/2 HP Power Unit 115v

652172 – 1/2 HP Power Unit 230v

1. 653100 – Float Mount Ring Assembly, 12"
2. 651253 – Float Mount Ring Bolt, Set of 4
3. 653102 – PondSeries Discharge Horn Assembly
- 3a. 651311 – Discharge Horn O-Ring
- 3b. 652163 – Pump Screw Assembly
4. 653103 – Upper Shroud with Bearing Assembly
5. 651620 – Lower Shroud, 4"
6. 653104 – Impeller and Clip Assembly, 1/2 HP
- 6a. 651474 – Spiral Retaining Ring
7. 653107 – Thrust Bearing Assembly
8. 653215 – 3/4" Stainless Steel Shaft, 1/2–5 HP
9. 653108 – Stainless Shaft Coupler Assembly, 1/2 HP
10. 652156 – Sand Slinger Washer Assembly, 1/2 HP
11. 652158 – Motor Assembly, 115v, 1/2 HP
- 652159 – Motor Assembly, 230v, 1/2 HP
12. 651878 – 3-Pin Motor Lead with Disconnect
13. 652162 – Cooling Shroud Screw Assembly
14. 651861 – Stainless Cooling Shroud Assembly, 1/2 HP
15. 651196 – T-Knob Assembly
16. 653109 – Intake Basket Assembly, 1/2 HP
17. 652219 – Tie-Down Ring

18. 651500 – Float, 34", Blue w/Airmax Logo

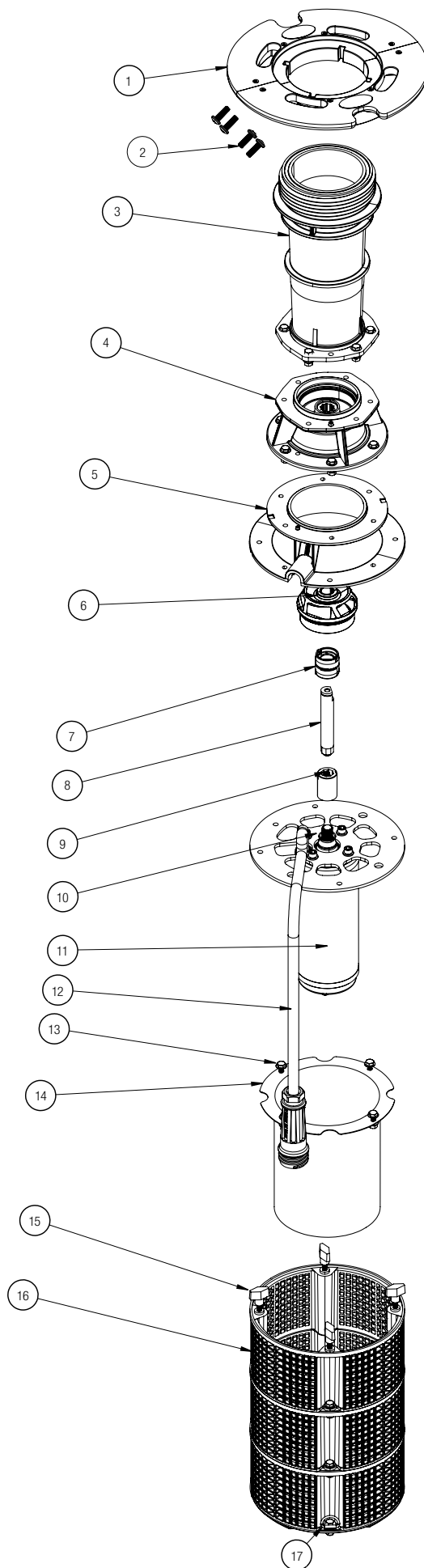
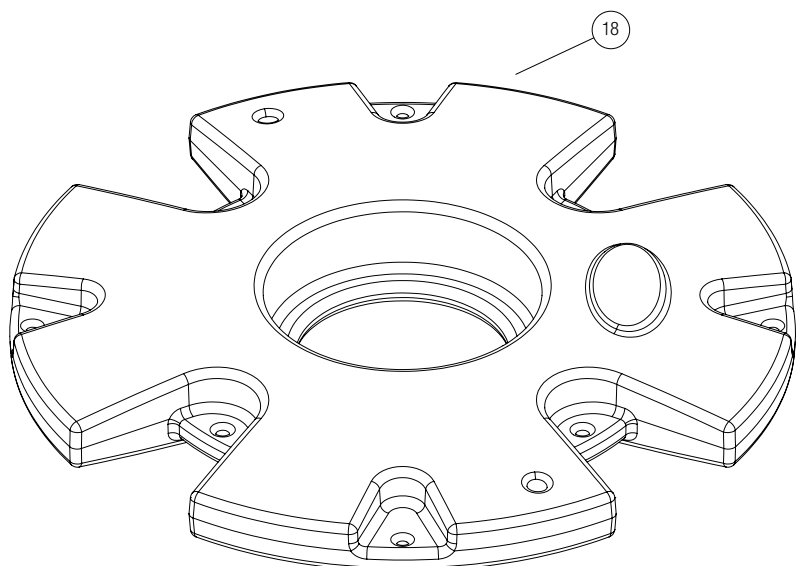
Included Spray Patterns (not pictured)

N/A – Classic Pattern

651887 – Trumpet Pattern

651889 – Crown & Trumpet Pattern

For information on premium spray visit us online



1 HP 230v Replacement Parts

652173 – 1 HP Power Unit 230v

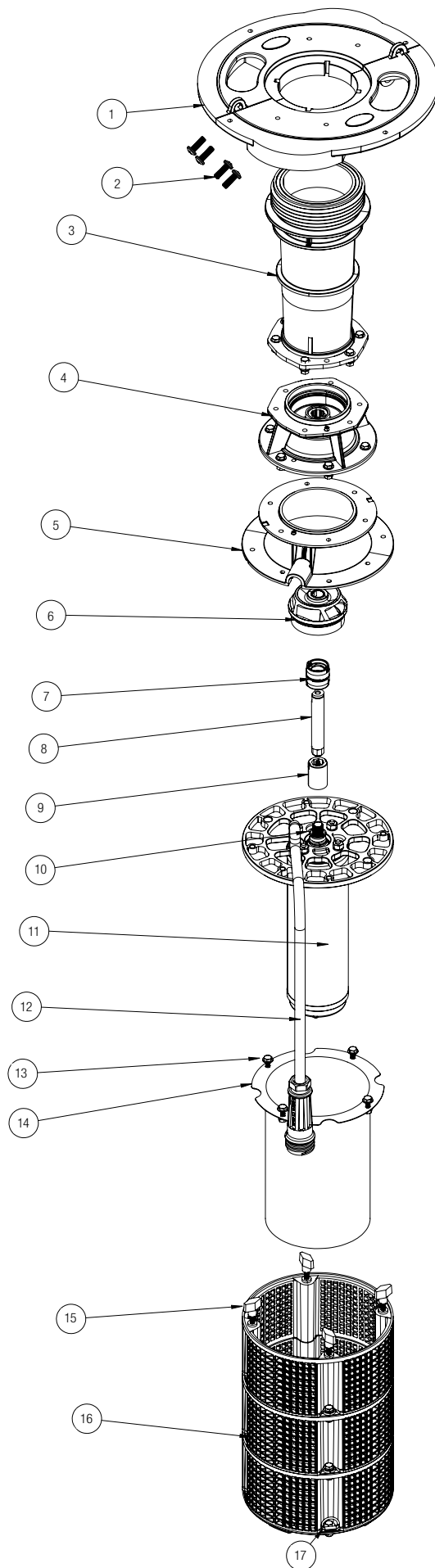
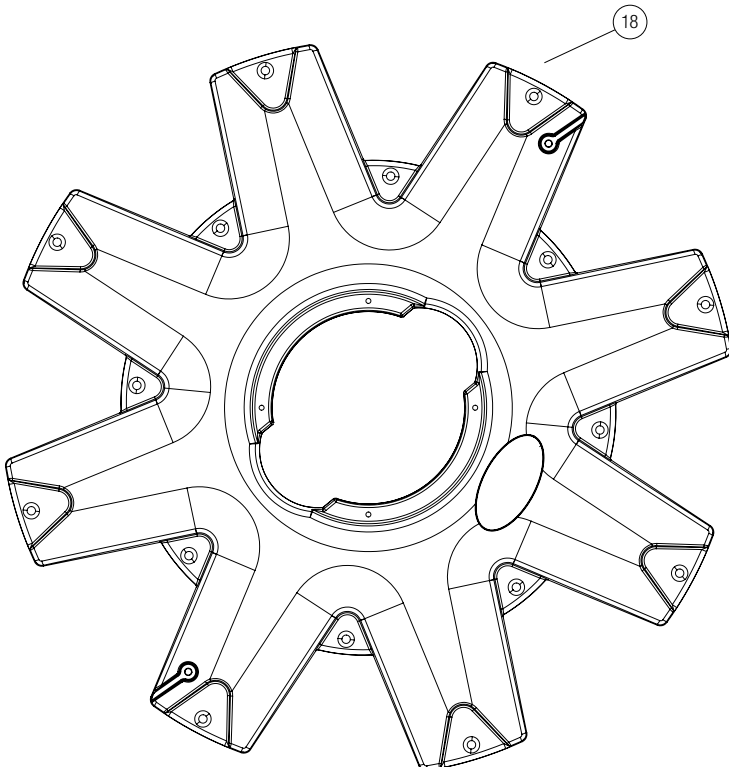
- 1. 653101 – Float Mount Ring Assembly, 1 & 2 HP
- 2. 651253 – Float Mount Ring Bolt, Set of 4
- 3. 653102 – PondSeries Discharge Horn Assembly
- 3a. 651311 – Discharge Horn O-Ring
- 3b. 652163 – Pump Screw Assembly
- 4. 653103 – Upper Shroud with Bearing Assembly
- 5. 651620 – Lower Shroud, 4"
- 6. 653105 – Impeller Assembly, 1 HP
- 6a. 651474 – Spiral Retaining Ring
- 7. 653107 – Thrust Bearing Assembly
- 8. 653215 – 3/4" Stainless Steel Shaft, 1/2-5 HP
- 9. 653213 – 3/4" Stainless Shaft Coupler Assembly, 1-5 HP
- 10. 652157 – Sand Slinger Washer Assembly, 1-5 HP
- 11. 652160 – Motor Assembly, 230v, 1 HP
- 12. 651933 – 4-Pin Motor Lead with Disconnect
- 13. 652162 – Cooling Shroud Screw Assembly
- 14. 651862 – Stainless Cooling Shroud Assembly, 1 HP
- 15. 651196 – T-Knob Assembly
- 16. 653209 – Intake Basket Assembly, 1 HP
- 17. 652219 – Tie-Down Ring

18. 651502 – Float, 46", Blue w/Airmax Logo

Included Spray Patterns (not pictured)

- N/A – Classic Pattern
- 651907 – Trumpet Pattern
- 651909 – Crown & Trumpet Pattern

For information on premium spray visit us online



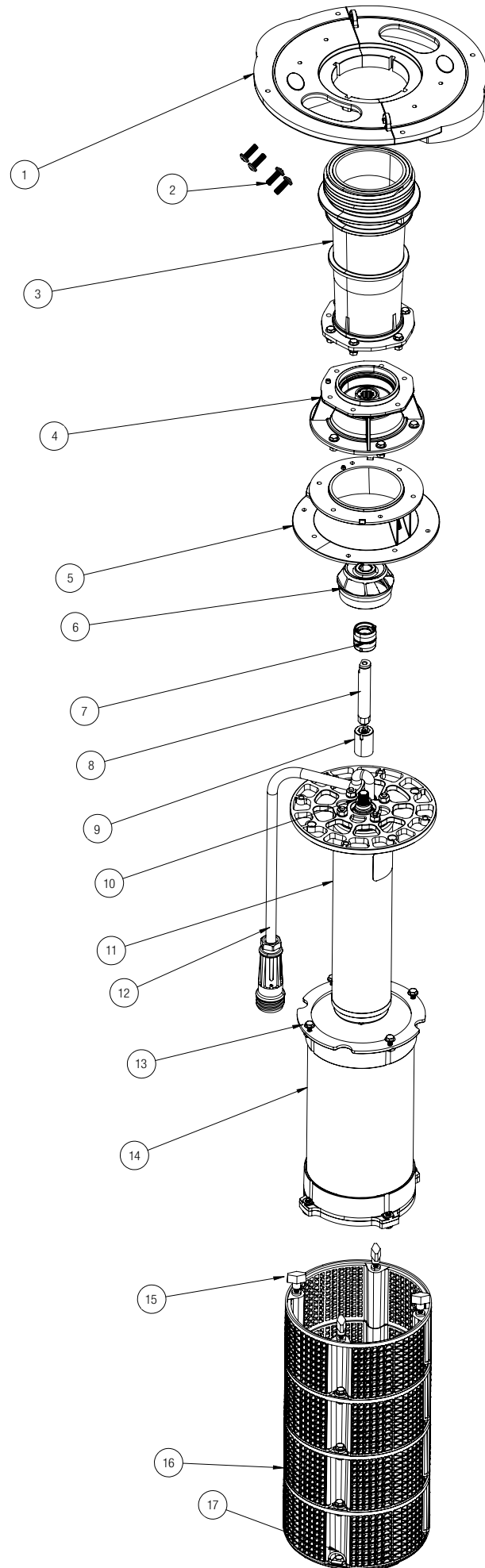
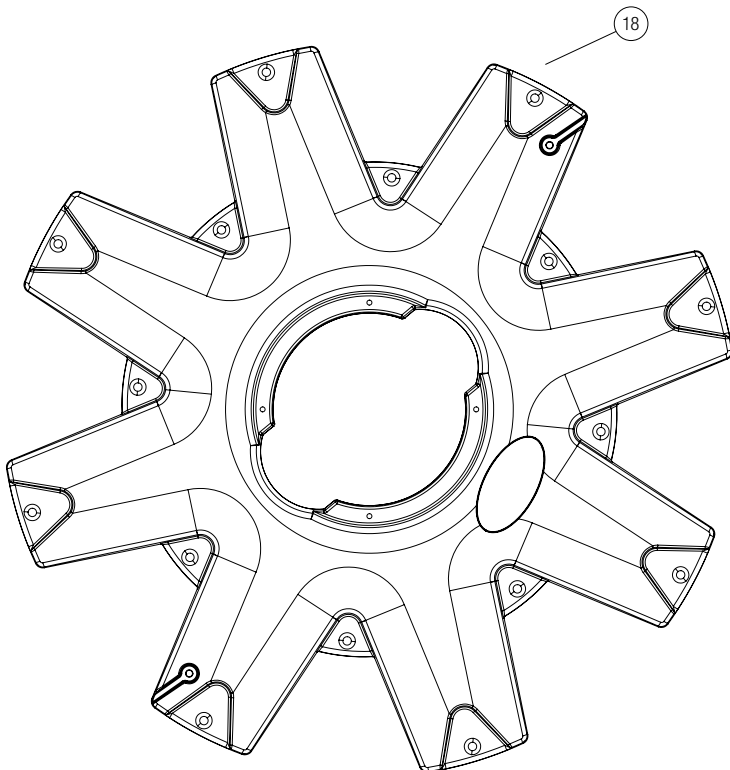
2 HP 230v Replacement Parts**652174 – 2 HP Power Unit 230v**

1. 653101 – Float Mount Ring Assembly
2. 651253 – Float Mount Ring Bolt, Set of 4
3. 653102 – PondSeries Discharge Horn Assembly
- 3a. 651311 – Discharge Horn O-Ring
- 3b. 652163 – Pump Screw Assembly
4. 653103 – Upper Shroud with Bearing Assembly
5. 651620 – Lower Shroud, 4"
6. 653106 – Impeller Assembly, 2 HP
- 6a. 651474 – Spiral Retaining Ring
7. 653107 – Thrust Bearing Assembly
8. 653215 – 3/4" Stainless Steel Shaft, 1/2–5 HP
9. 653213 – 3/4" Stainless Shaft Coupler Assembly, 1–5 HP
10. 652157 – Sand Slinger Washer Assembly, 1–5 HP
11. 652161 – Motor Assembly, 230v, 2 HP
12. 651933 – 4-Pin Motor Lead with Disconnect
13. 652162 – Cooling Shroud Screw Assembly
14. 651863 – Cooling Shroud Assembly 2 HP
15. 651196 – T-Knob Assembly
16. 653110 – Intake Basket, 2 HP
17. 652219 – Tie-Down Ring

18. 651502 – Float, 46", Blue w/Airmax Logo**Included Spray Patterns (not pictured)**

- N/A – Classic Pattern
- 651897 – Trumpet Pattern
- 651899 – Crown & Trumpet Pattern

For information on premium spray visit us online



Airmax, Inc.

Airmax PondSeries Fountain

Limited Warranty

Airmax, Inc. warrants to the original purchaser (the end user) of any Airmax PondSeries Fountain manufactured by Airmax, Inc. that any component which proves to be defective in materials or workmanship, as determined by the factory within 3 years from the original purchased date, will be repaired or replaced at no charge with a new or remanufactured part, and returned freight prepaid. The end user shall assume all the responsibility and expense for removal, packaging, and freight to ship to Airmax, Inc. to determine the warranty claim and for all reinstallation expenses.

The warranty is void in cases where damage results from: improper installation, improper electrical connection, improper voltage, alteration, lightning, careless handling, misuse, abuse, disassembly of motor or failure to follow maintenance or operating instructions. Modification or repair by an unauthorized repair facility will void the warranty.

In no case will Airmax, Inc. or its dealers accept responsibility for any costs incurred by the user during installation, removal, inspection, evaluation, repair, parts replacement, or for return freight. Nor will any liability be accepted for loss of use, loss of profits, loss of goodwill, for consequential damage, or for personal injuries to the purchaser or any person.

In the event of problems believed to be covered under warranty, it will be necessary to notify the dealer who will try to help resolve the problem and who may contact the factory for additional assistance. If it is concluded that there may be a defect which may be covered under warranty, it will be necessary to get a Return Material Authorization (RMA) from the dealer before shipment. Freight collect shipments will not be accepted by the factory on warranties or repairs.

The product or part(s) must be returned freight prepaid, to the factory, as directed, and in its original packaging or in a container which will prevent damage. Parts returned under warranty and damaged during shipping will not be covered under warranty for the shipping damage. If the factory evaluation of the returned goods concludes that the failure is due to defects in materials or workmanship, the part or parts in question will be replaced under warranty with new parts, remanufactured parts, or will be repaired at the factory's option. The warranty period for all parts supplied under warranty will terminate at the end of the original product's warranty. All warranty shipments from the factory will be shipped freight prepaid.

Warranty registration is HIGHLY recommended.

No implied warranties of any kind are made by Airmax, Inc. for its products, and no other warranties, whether expressed or implied, including implied warranties of merchantability and fitness for a particular purpose, shall apply. Should an Airmax, Inc. product prove to be defective in materials or workmanship, the retail purchaser's sole remedy shall be repair or replacement of the product as expressly provided above.

The manufacturer's warranty will begin from the dealer's original purchase date if the product is not registered. To register a product, you are required to fill out the warranty registration form at airmaxeco.com/warranty. Warranty registration must be submitted directly to Airmax within 30 days of the end-user's purchase date.



Optional Single Arch Pattern



Optional Double Arch and Geyser Pattern



Optional Double Arch Pattern



Optional Blossom (Crown & Arch) Pattern

For Information on Optional Spray Patterns,
Visit Us Online at airmaxeco.com/pondseriesfountains

Airmax, Inc.

15425 Chets Way Street
Armada, MI 48005

(866) 4-AIRMAX
airmaxeco.com

#651190 V5