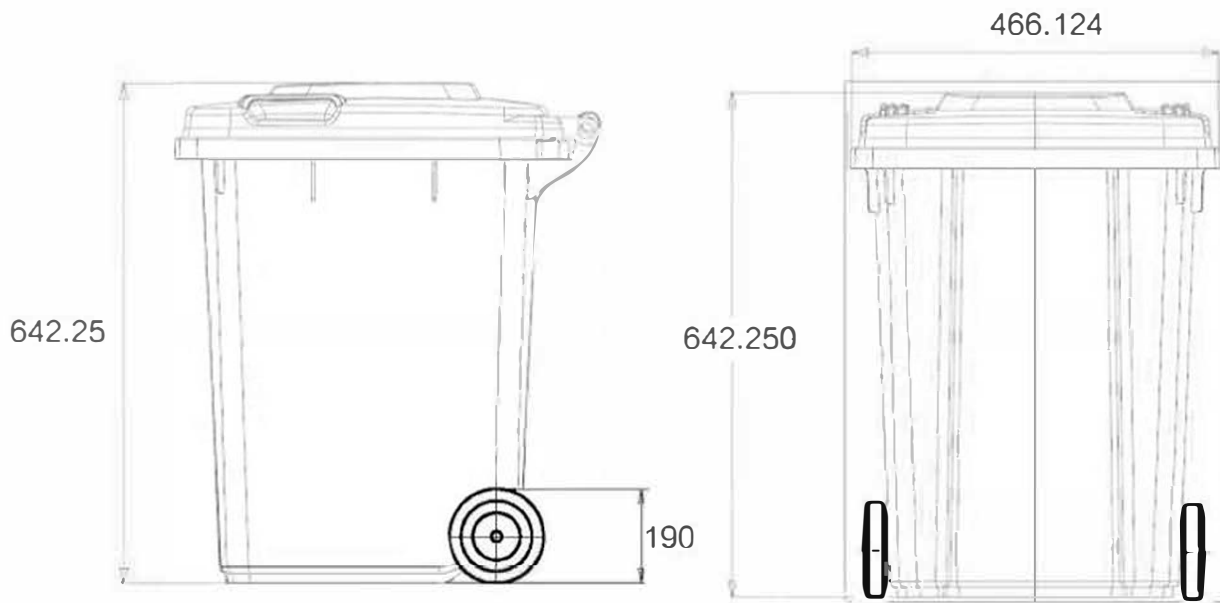


75L

DIN version



TECHNICAL DATA

Capacity	<i>80l</i>
Weight	<i>approx. 5.8kg</i>
The maximum load permitted	<i>45kg</i>
Material	<i>HDPE, UV stabilized</i>
Wheels	<i>2 rubber wheels Ø190mm corrosion resistant steel axle</i>
Lid/body fixation	<i>lid with liphandle continuous handle: Ø27mm</i>

