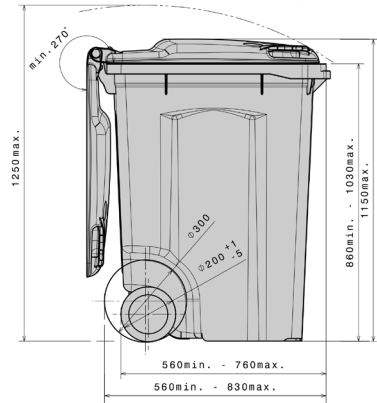
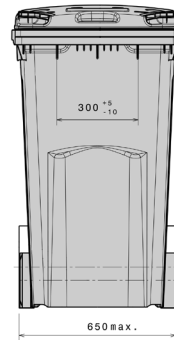



MGBneo

340 l



Technical data ^{*1}

Dimensions (mm)	A: 590+/-20	B: 880 max.	C: 1150 max.
Volume (l)	340		
Material Body / Lid	HDPE / HDPE UV-resistant, cadmium-free		
Holding Capacity	 136		
Available Colours	grey, green, brown, blue, yellow, red		

Characteristics		Extra equipment / Accessories ^{*2}
Container corresponds to	EN 840, RAL-GZ951/1, Directive 2000/14/EG	Wheels Ø 300 mm Paper aperture Glas aperture Lid lock
Travelling gear	External, wheel Ø 200 mm, rubber tired wheels, wheel axle from tempered, galvanized steel	
Receiver	Comb lift	
Prepared for transponders	Yes	

Loading quantities (pcs/approx.)
On request.

Labelling options
On the lid, on the body



^{*1} All specifications quoted are subject to change. Craemer reserve the right to make changes to product design and specification.

^{*2} Extra equipment, accessories, as well as other colors are available at extra cost and on request.