

**GENERAL INFO**

**INTERBLEND SINGLE WATER TREATMENT SYSTEM**

Designed to regulate the mineral content of water that enhances the finest coffee flavours.

Puretec Interblend CO-I Series Filter systems are designed for the reduction of hardness ions and contaminants that affect the taste and extraction of coffee.

At the forefront of innovation the Puretec CO-I Series is everything you want in a water filter. Designed for coffee machines, dishwashers and combi ovens the CO-I Series reduces scale, chlorine, taste & odour and sediment in water. Quick, hygienic cartridge change outs, combined with next generation filtration has made a convenient system with excellent capacity and reduced consumable expenses. The Puretec Interblend CO-I Series regulates the mineral content to ensure the finest coffee flavours.

**FEATURES & BENEFITS**

- The Puretec Interblend CO-I Series regulates the mineral content to ensure the finest coffee flavours.
- Large capacity granular activated carbon media for the reduction of chlorine, chloramine and taste & odour.
- High-impact polypropylene filter body built for the hustle and bustle of food preparation.
- Interblend technology to enhance scale reduction capacities and extend the filter life.
- Set & Forget - 30% bypass, providing exact filtration and precise reduction of calcium and magnesium ions for conductivity.



Ordering Code	CO-I150-K	CO-I250-K	CO-I350-K
Replacement Cartridge:	CO-I150	CO-I250	CO-I350
Flow rate:	2 Lpm	3 Lpm	3 Lpm
Micron Rating:	5 micron	5 micron	5 micron
Capacity:	3000 @ 180 ppm	6000 @ 180 ppm	9000 @ 180 ppm
Connection:	3/8" or 1/2"	3/8" or 1/2"	3/8" or 1/2"
Warranty:	3 years^	3 years^	3 years^

Important Note Use only genuine Puretec replacement cartridge. 3 year warranty is 1 year parts and labour plus 2 years parts only. Excludes cartridges.

**DIAGRAM & FILTRATION TECHNOLOGY**

Options of neat 3/8" quick connect tube, 3/8" male thread or 1/2" male thread connections.

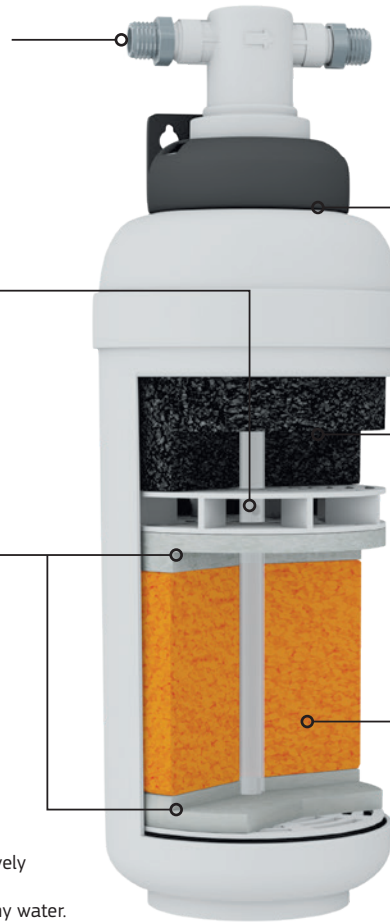
**Exact Filtration**  
30% bypass, providing exact filtration and precise reduction of calcium and magnesium ions to protect your food service equipment.

Removes particles, clarifies the water and removes sediment, rust, sand, silt & algae.



WaterMark Approved

Puretec products as marked are extensively tested and WaterMark approved, giving consumers assurance of safe and healthy water.



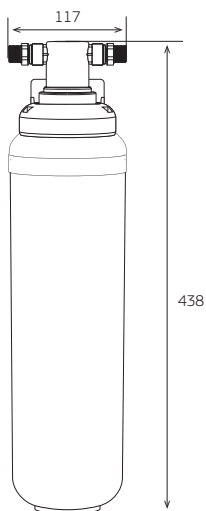
**Quick twist valve-in-head**  
Valve-in-head technology means the cartridge can be quickly and easily changed, without having to turn off the water supply.

Uses activated carbon that reduces chlorine and chloramine. This eliminates bad taste and odours, chemical pesticides & sulphur in water.

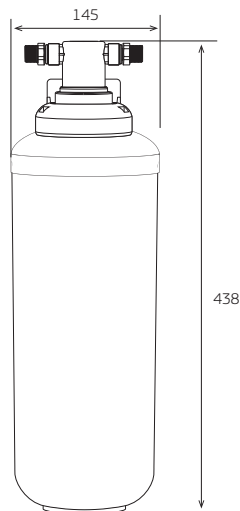
**Ion Exchange Resin**  
Super efficient ion exchange media allows the CO-I series to keep your water hardness within the ASCA guidelines (40-110) while maintaining a balanced pH.

**PRODUCT DIMENSIONS** (measurements shown in millimetres)

**CO-I100-K**



**CO-I250-K**



**CO-I350-K**

