

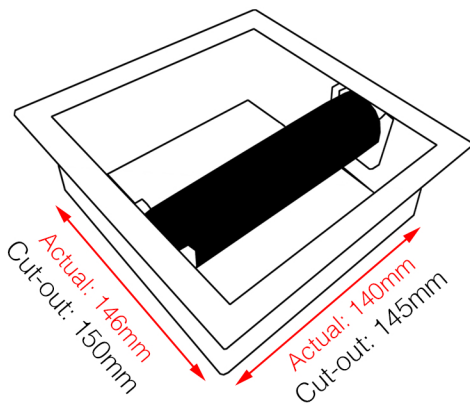
Knock Chute V2 Specifications

SQUARE KNOCK CHUTE V2

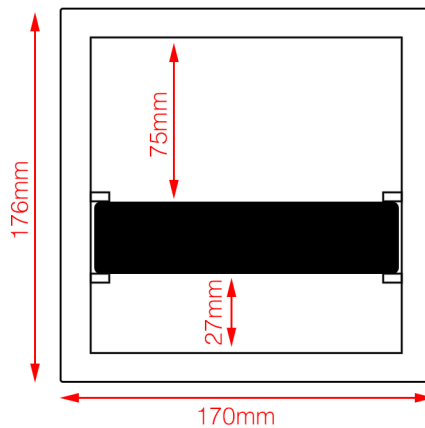
Product Code: BPG-CKC



Cut-Out Dimensions



Top View



Side View



INSTALLATION

Cut out dimensions: 145mm x 150mm. Please use cut-out dimensions as a guide only. We recommend you use the actual product as the template when cutting into benchtops to ensure your measurements are exact.

WARRANTY

We provide 12 months warranty on the knock chute body. This does not include general wear and tear of the replacement rubber, rod and gasket. To make a warranty claim please email us at info@baristasupplies.com.au with the following details:

- Your contact details, i.e. full name, address and preferred contact number
- Description of Fault/Defect
- Clear Image of area of fault/defect and also of entire product

REPLACEMENT PARTS

KNOCK CHUTE V2 RUBBER
Product Code: BPG-CKCRR

KNOCK CHUTE V2 ROD
Product Code: BPG-CKCROD

KNOCK CHUTE V2 GASKET
Product Code: BPG-CKCG

