

BARISTA PROGEAR

PROFESSIONAL BARISTA TOOLS

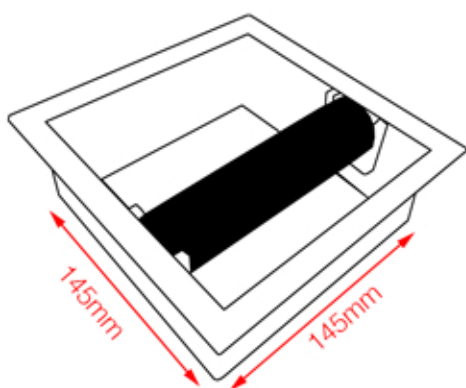
Knock Chute Specifications

SQUARE KNOCK CHUTE

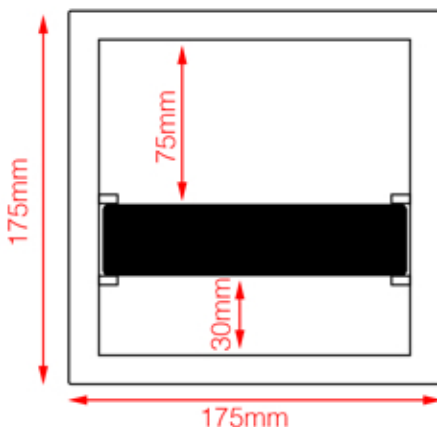
Product Code: BPG-KC



Cut Out Dimensions



Top View



Side View

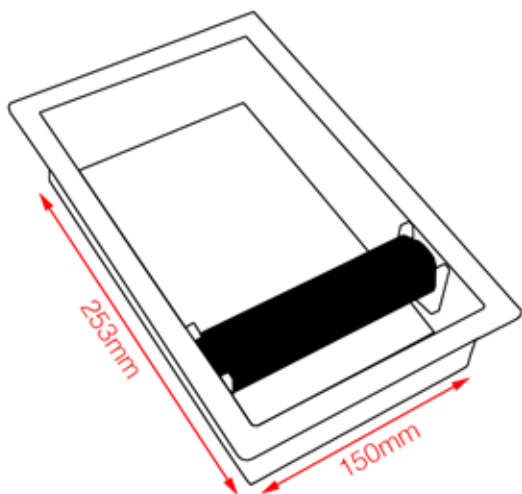


RECTANGLE KNOCK CHUTE

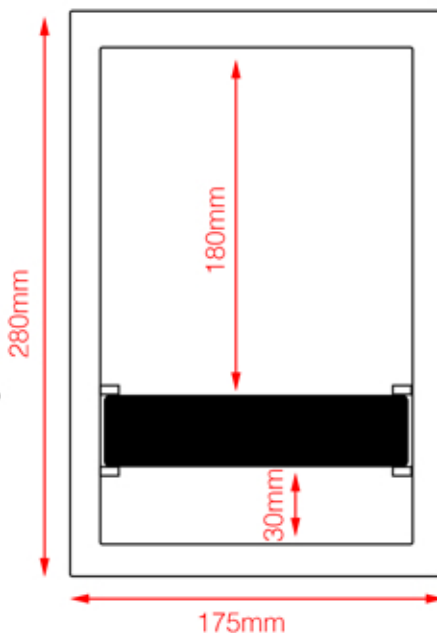
Product Code: BPG-KCR



Cut Out Dimensions



Top View



Side View



We recommend you use the actual product as the template prior to cutting into benchtops to ensure your measurements are exact.

Barista Progear

info@baristaprogear.com | baristaprogear.com