

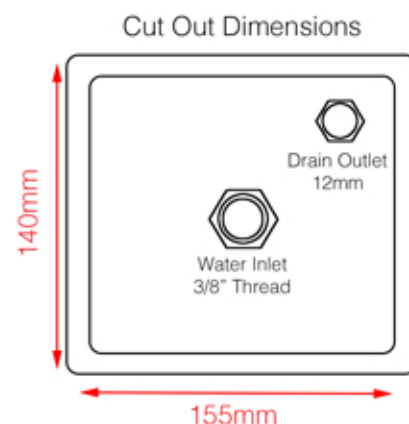
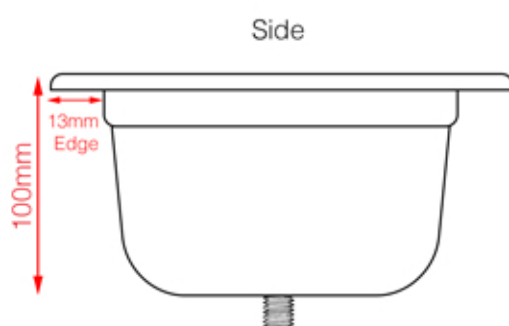
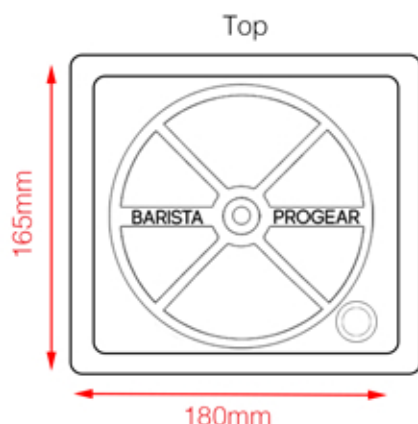
BARISTA PROGEAR

PROFESSIONAL BARISTA TOOLS

Milk Jug Rinsers Specifications

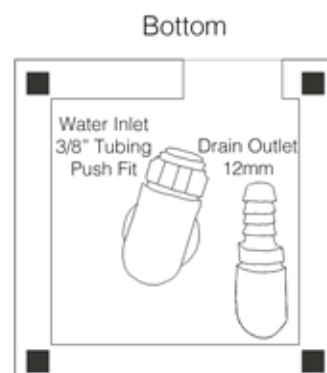
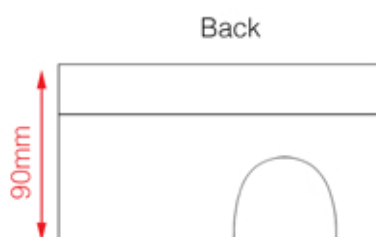
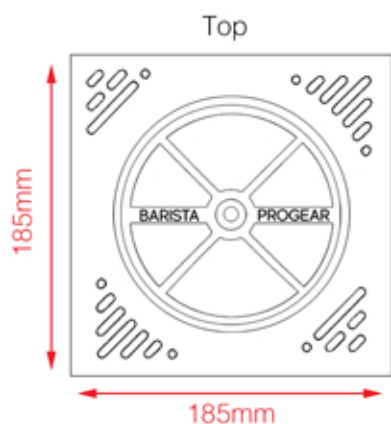
IN BENCH RINSER

Product Code: BPG-FMR



COUNTER TOP RINSER

Product Code: BPG-CTR



INSTALLATION REQUIREMENTS

We recommend that the water pressure is 15-30PSI, if water pressure is over 400kpa we suggest a 350kpa pressure limiting valve to be fitted, this is to alleviate the possibility of the valve weeping or leaking and a 350kpa pressure limiting valve will also reduce the possibility of the seal being blown up over the feed holes which will restrict the water flow. We suggest flushing the feed water lines to the rinsing machine before installation especially on new water lines, to prevent any debris getting in to the valve which will cause the valve to leak.

We recommend you use the actual product as the template prior to cutting into bench tops to ensure your measurements are exact.