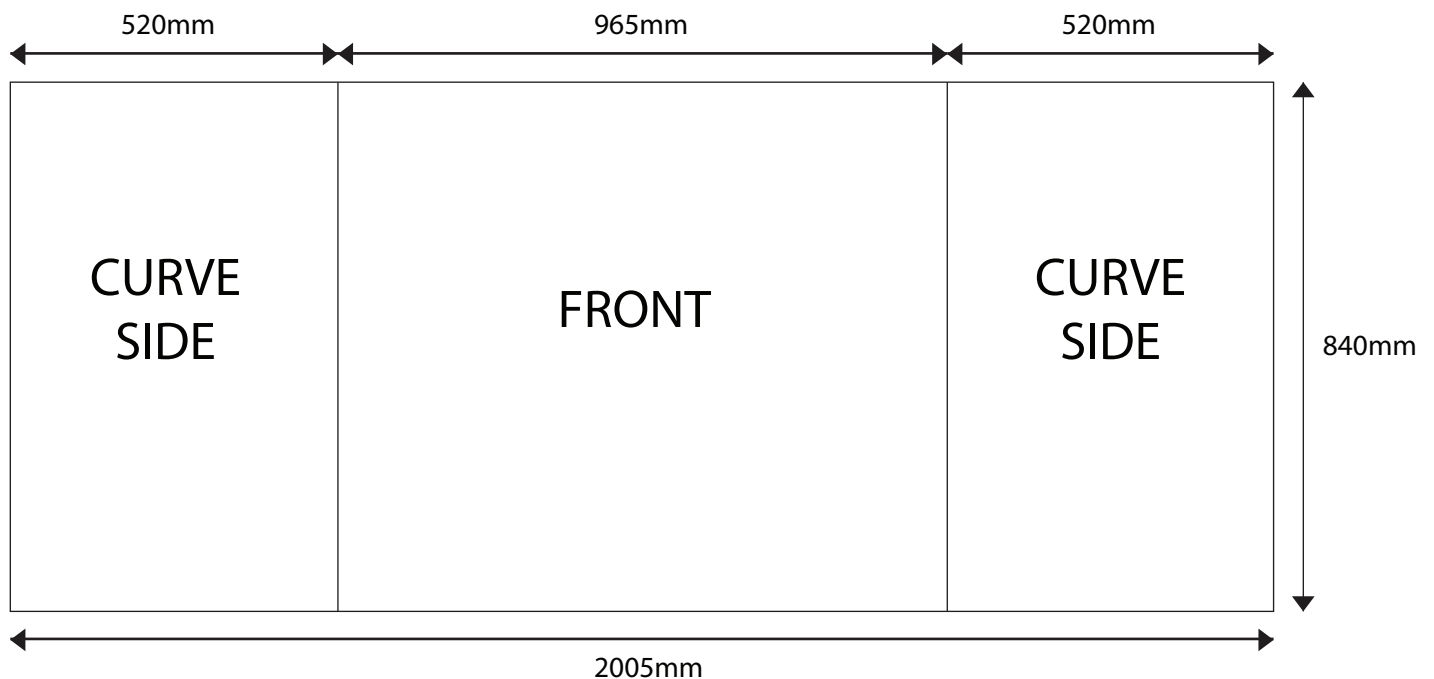
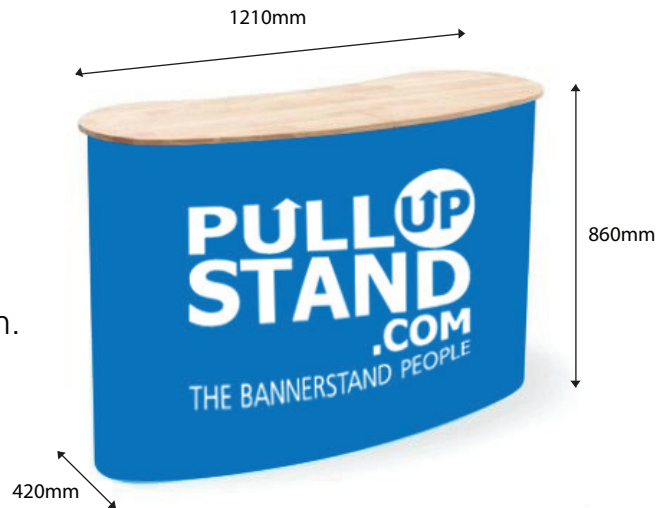


POP UP TABLE Curve

To submit artwork for the Pop Up Table, please prepare graphic file of:
2005mm (w) x 840mm (h).

Logo and text to be placed within the front portion.
Keep clear of the curved sides as illustrated below:



SUBMITTING ARTWORK

Resolution: 120 dpi @ 100% size
Color mode: CMYK
File Format: Photoshop(EPS),
Illustrator or hi-res PDF

If the file is more than 10MB,
please send us artwork using
yousendit.com, wetransfer.com
or any free uploading services.

MORE INFO?

Contact us for further
product enquiries:

PULLUPSTAND.COM
tel: (+65) 6745 1153
email: info@pullupstand.com