

TECHNICAL DATA SHEET



KRASO® Sealing Insert Type VD

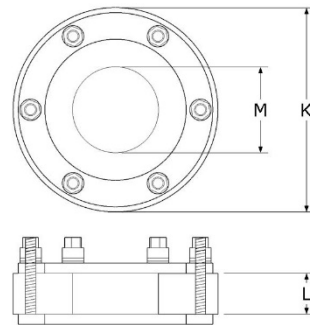
Application areas

against pressing and non-pressing water, for core holes or casings for installation of pipes or cables, including KRASO® Torque Control Nut.

Product image



Technical drawing



Material

Clamping plates	non-corrosive stainless steel
Bolts	non-corrosive stainless steel
Washers	non-corrosive stainless steel
Nuts	Torque Control Nut KRASO® DKM
Seal	EPDM 50° +/- 5° Shore

Technical details

- Torque Control Nut KRASO® DKM: integrated torque limiter – no torque wrench required
- according to FHRK basis for inspection GE 101 tested
- Radon tight IAF tested – meets the requirements for Radon areas according FHRK information sheet MB 101
- Axial bending of the media pipes up to 8° possible
- MPA gas- and water pressure tight, tested up to 8,0 bar

certificate	find in our download area
-------------	---

TECHNICAL DATA SHEET



KRASO® Sealing Insert Type VD

Size - 80

K	80	80	80		
M	25	32	43		
L	80	80	80		
Clamping range	20-26	29-35	38-44		
Weight	0,94	0,84	0,51		
Item no.	KDI080VD022	KDI080VD032	KDI080VD040		

Size - 100

K	100	100	100	100	
M	32	43	50	63	
L	80	80	80	80	
Clamping range	29-35	38-44	45-51	58-64	
Weight	1,3	1,26	1,26	1,24	
Item no.	KDI100VD032	KDI100VD040	KDI100VD048	KDI100VD060	

Size - 125

K	125	125	125		
M	63	75	80		
L	80	80	80		
Clamping range	58-64	72-78	75-81		
Weight	1,78	1,74	1,24		
Item no.	KDI125VD060	KDI125VD075	KDI125VD078		

Size - 150

K	150	150	150	150	
M	75	80	90	110	
L	80	80	80	80	
Clamping range	70-76	75-81	85-91	105-111	
Weight		2,4	2,0	1,74	
Item no.	KDI150VD075	KDI150VD078	KDI150VD088	KDI150VD108	

Size - 200

K	200	200	200	200	200	200
M	110	114	125	135	140	160
L	80	80	80	80	80	80
Clamping range	105-111	113-119	120-126	130-136	135-141	155-161
Weight	4,6	4,5	4,4	3,2	3,0	2,4
Item no.	KDI200VD108	KDI200VD114	KDI200VD123	KDI200VD133	KDI200VD139	KDI200VD158

•K | core hole (mm) •M | media lines (mm) •L | seal (mm) •weight | in kg

TECHNICAL DATA SHEET



KRASO® Sealing Insert Type VD

Size - 250

K	250	250	250	250	250
M	160	170	180	200	210
L	80	80	80	80	80
Clamping range	156-162	165-171	176-182	196-202	206-212
Weight	6,2	6,0	4,2	3,6	3,4
Item no.	KDI250VD158	KDI250VD168	KDI250VD177	KDI250VD200	KDI250VD210

Size - 300

K	300	300	300	300	300
M	200	210	219	225	250
L	80	80	80	80	80
Clamping range	196-202	206-212	215-221	221-227	246-252
Weight	8,4	6,6	6,0	6,0	4,8
Item no.	KDI300VD200	KDI300VD210	KDI300VD219	KDI300VD225	KDI300VD250

Size - 350

K	350	350	350	350	350
M	200	210	219	225	250
L	80	80	80	80	80
Clamping range	196-202	206-212	215-221	221-227	246-252
Weight					
Item no.	KDI350VD200	KDI350VD210	KDI350VD219	KDI350VD225	KDI350VD250

Size - 400

K	400	400	400	400	
M	273	280	315	326	
L	80	80	80	80	
Clamping range	269-275	276-282	311-317	322-328	
Weight	12,2	12,0	11,6	11,4	
Item no.	KDI400VD273	KDI400VD280	KDI400VD315	KDI400VD326	

Size - 500

K	500	500	500		
M	400	429	450		
L	80	80	80		
Clamping range	297-402	426-431	447-452		
Weight	11,2	10,4	8,8s		
Item no.	KDI500VD400	KDI500VD429	KDI500VD450		

•K | core hole (mm) •M | media lines (mm) •L | seal (mm) •weight | in kg