

MotoTOTE®



Mini

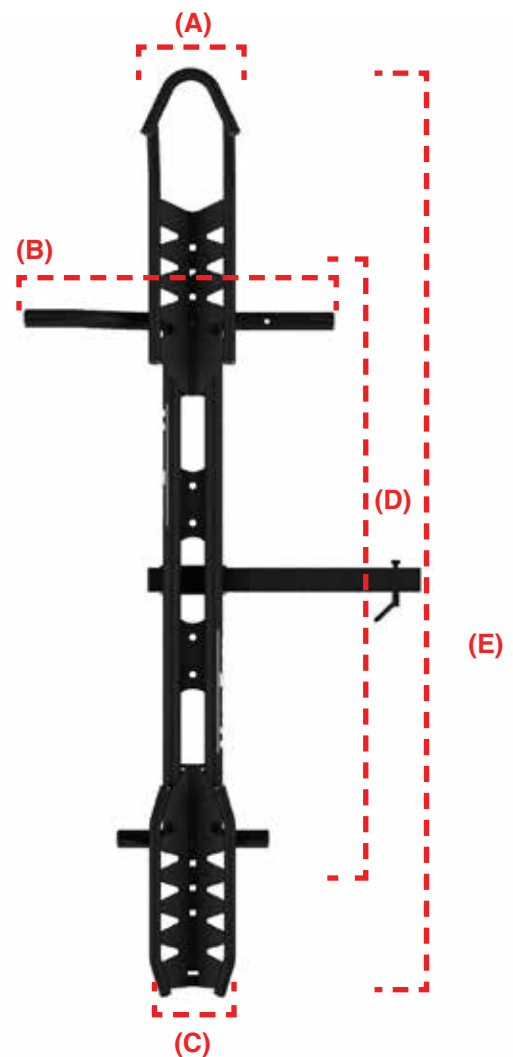
ELECTRIC BIKE RACK

P/N: MTMB



Scan for more details

| | |
|------------------------------|---|
| MSRP | \$499 |
| Recommended for: | Electric Bikes, Fat Tire Bikes, Trail Bikes |
| Weight Capacity*: | 200 lbs. (91 kgs.) |
| Carrier Weight: | 28 lbs. (13 kgs.) |
| (A) Front Tire Width: | Up to 5" (127 mm.) |
| (B) Tie Down Spacing: | 18.5" Front Only (47 cm) |
| (C) Rear Tire Width: | Up to 5" (127 mm) |
| (D) Wheelbase: | Up to 52" (132 cm) |
| (E) Total Length: | Up to 71.5" (181.5 cm) |
| Hitch Type: | Class III or Above 2" Square |
| Material: | Powder Coated Steel |
| Finish: | Textured Black Powder Coating |



*Your vehicle and hitch must be rated to support the combined weight of the bike and the carrier. For more info visit [MotoTote.com/Fit](https://www.MotoTote.com/Fit)

