

MotoTOTE®



Mini *Dual*

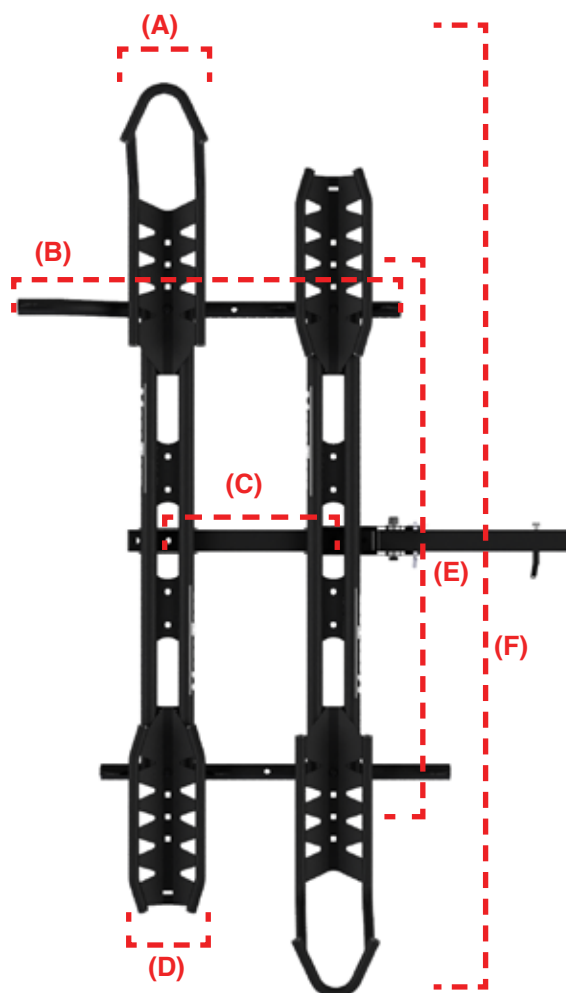
ELECTRIC BIKE RACK

P/N: MTMD-C



Scan for more details

MSRP	\$949
Recommended for:	Electric Bikes, Fat Tire Bikes, Trail Bikes
Weight Capacity*:	350 lbs. (159 kgs.)
Carrier Weight:	63 lbs. (28.5 kgs.)
(A) Front Tire Width:	Up to 5" (127 mm.)
(B) Tie Down Spacing:	18.5" Front Only (47 cm)
(C) Distance Between Tracks	15" (38 cm)
(D) Rear Tire Width:	Up to 5" (127 mm)
(E) Wheelbase:	Up to 52" (132 cm)
(F) Total Length:	Up to 71.5" (181.5 cm)
Hitch Type:	Class III or Above 2" Square
Material:	Powder Coated Steel
Finish:	Textured Black Powder Coating



*Your vehicle and hitch must be rated to support the combined weight of the bike and the carrier. For more info visit [MotoTote.com/Fit](https://www.MotoTote.com/Fit)