

# MotoTote®



## Mini *Dual*

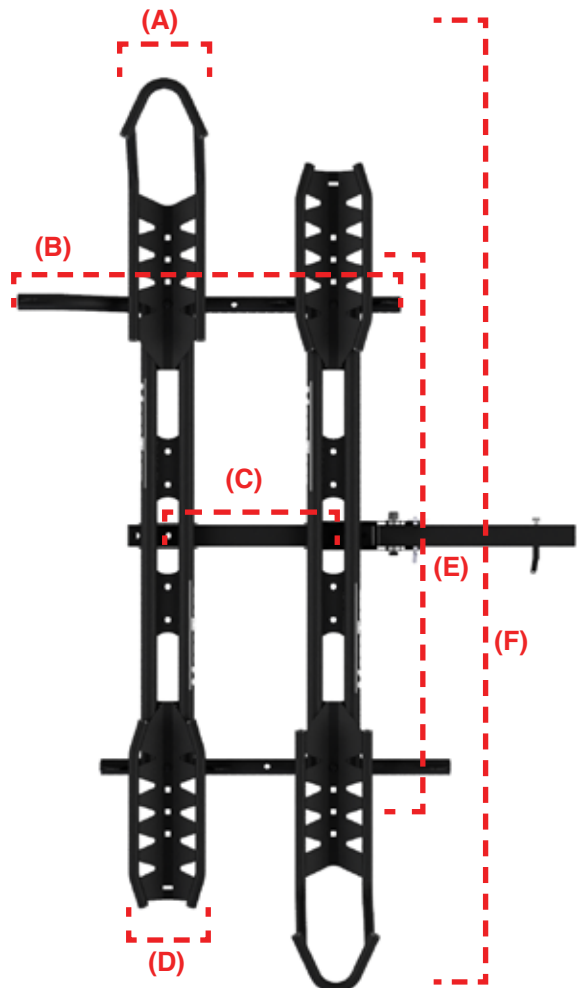
### ELECTRIC BIKE RACK

P/N: MTMD-C



Scan for more details

<b>MSRP</b>	\$949
<b>Recommended for:</b>	Electric Bikes, Fat Tire Bikes, Trail Bikes
<b>Weight Capacity*:</b>	350 lbs. (159 kgs.)
<b>Carrier Weight:</b>	63 lbs. (28.5 kgs.)
<b>(A) Front Tire Width:</b>	Up to 5" (127 mm.)
<b>(B) Tie Down Spacing:</b>	18.5" Front Only (47 cm)
<b>(D) Distance Between Tracks</b>	15" (38 cm)
<b>(C) Rear Tire Width:</b>	Up to 5" (127 mm)
<b>(E) Wheelbase:</b>	Up to 52" (132 cm)
<b>(F) Total Length:</b>	Up to 71.5" (181.5 cm)
<b>Hitch Type:</b>	Class III or Above 2" Square
<b>Material:</b>	Powder Coated Steel
<b>Finish:</b>	Textured Black Powder Coating



\*Your vehicle and hitch must be rated to support the combined weight of the bike and the carrier. For more info visit [MotoTote.com/Fit](https://www.MotoTote.com/Fit)