

T20 Replacement LED Globes

- CANbus Compatible
- 18 High Brightness SMD LEDs
- Reverse Polarity Protected
- 50,000 Hrs Lifespan
- 32V Over Voltage Protection

Function Reverse/Stop-Tail/Indicator

Base 3156 (Indicator/Reverse)
3157 (Stop/Tail)

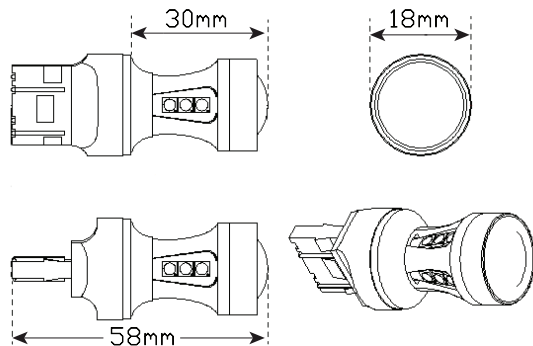
Voltage 12-24V

LED Qty 18

Effective Lumens	Stop	Tail	Indicator	Reverse
	380lm	125lm	380lm	570lm

Fitting T20 Wedge

Draw @12V 0.43A



Part No. T20WM
Reverse



Part No. T20RM
Stop/Tail



Part No. T20AM
Indicator



Active



Active



Active

380/570lm
Effective Lumens

360°
Beam Angle

10 Year
Warranty

Fitting Instructions

Fit wedge end into connector of lamp holder.



All enquiries P: (03) 9466 7075 E: led@ledtech.com.au, www.ledautolamps.com

All efforts are made to ensure all information is correct and up to date, it can be subject to change without notice. All measurements are in millimeters (mm) and are not to scale.

© All LED Technologies designs are registered throughout the world. - Current as of 14/05/2019