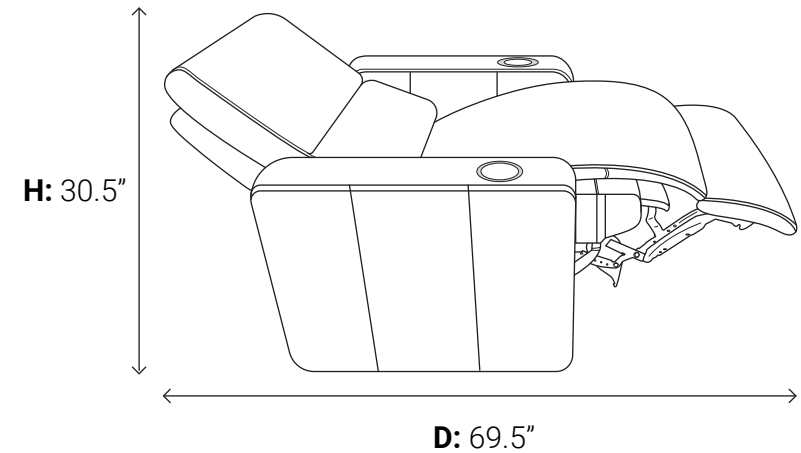
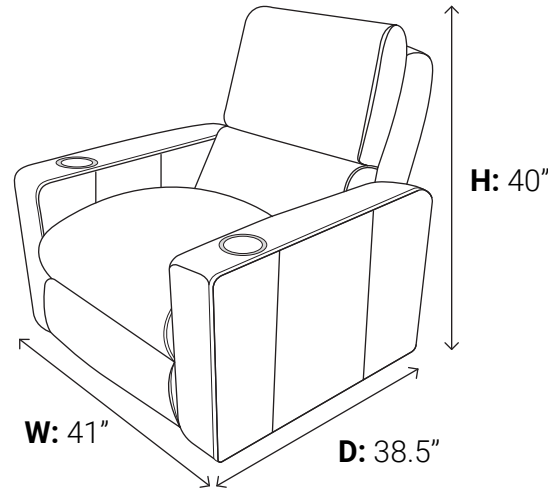
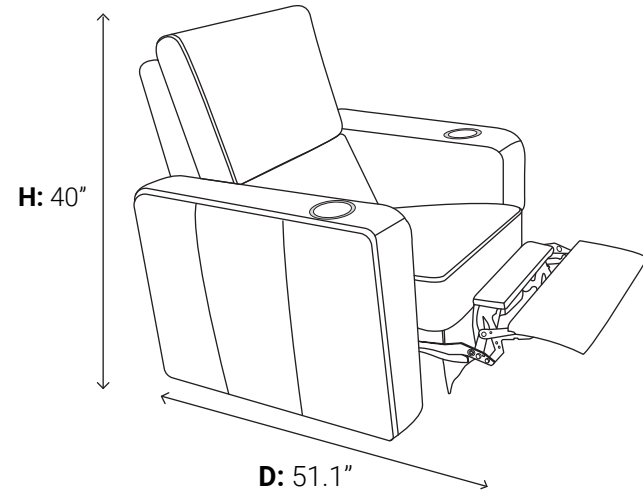


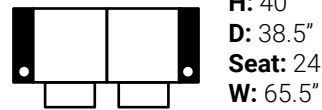
S E A T I N G  
D I M E N S I O N S  
& C O N F I G U R A T I O N S .

# HARLOWE

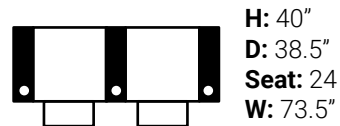
## 24"



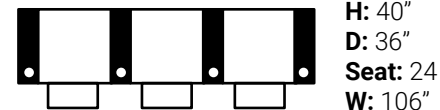
2 Arm recliner



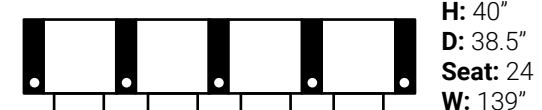
2 Arm Loveseat



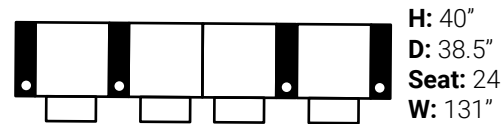
2 Seat Straight



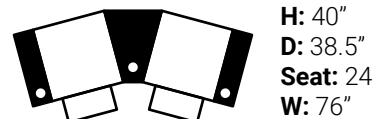
3 Seat Straight



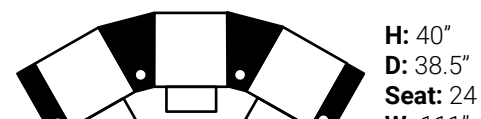
4 Seat Straight



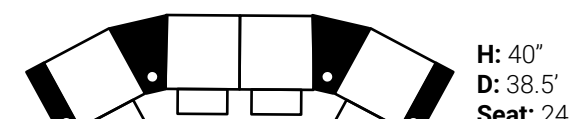
4 Seat Straight Love-Nest



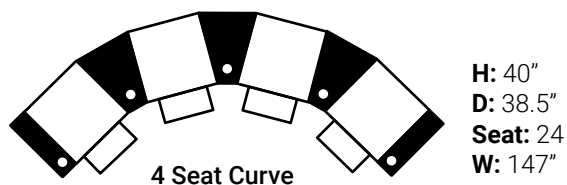
2 Seat Curve



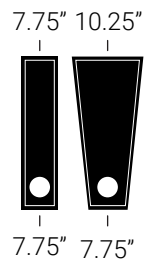
3 Seat Curve



4 Seat Curve Love-Nest



4 Seat Curve



Arm Dimensions

Please note that these renderings are designed to provide you with estimated space requirements.

Vintage Manufacturing products are hand crafted and variations from standard dimensions and appearances can occur.

**NOTE:** Power mechanisms will raise seat height approximately 2 inches. Power mechanisms **DO NOT** recline as far back as the standard and wallsaver mechanisms.