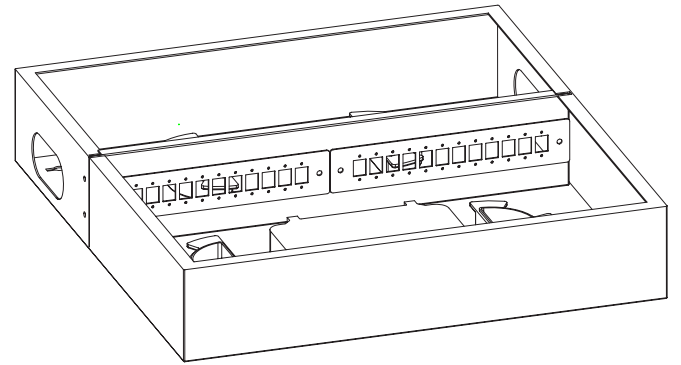
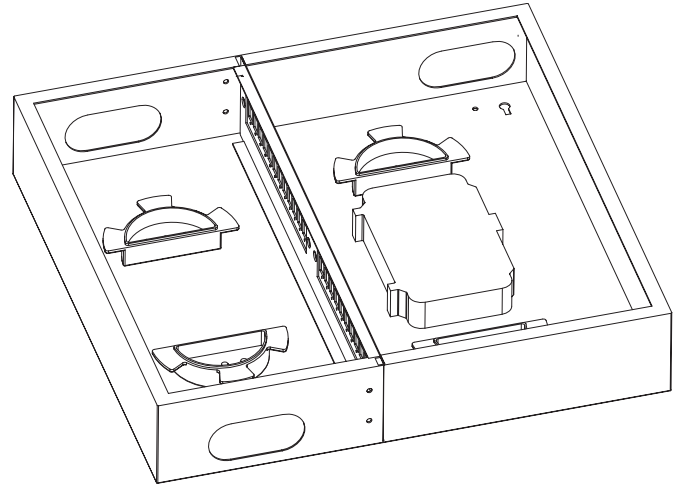


**FIBRE WALL MOUNT ENCLOSURE
WITH DUAL FACE PLATE**

PART NUMBER: SAFPWM-2P
BAR CODE: 9352399001535



PRODUCT SPECIFICATION

Loading Capacity:	Customisable 12 Splice Cassette
Surface Finish:	Electrostatic Painting
Color:	Grey
Dimensions:	378mm (H) x 398mm (W) x 96mm (D)
Net Wt (Kgs)	3kg
Shipping Wt (Kgs)	3.25kg

