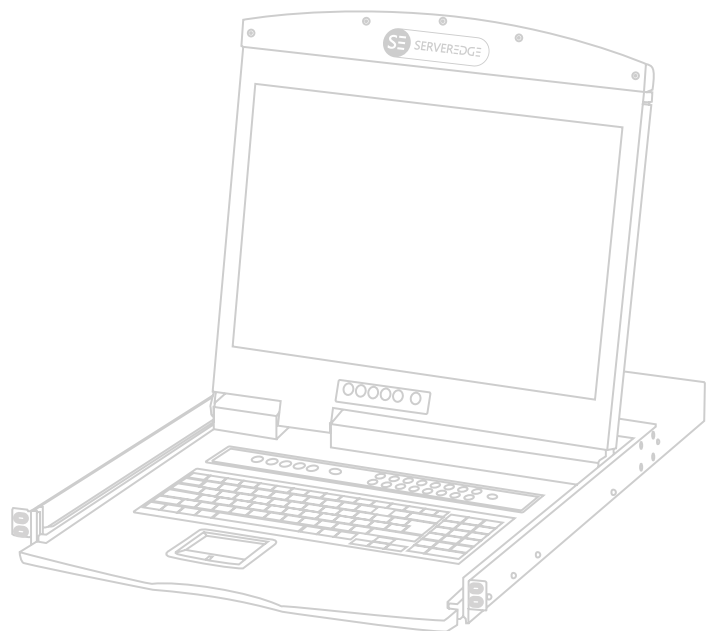




# USER'S MANUAL

Serveredge 8 and 16 port HDMI LCD KVM switch series USER MANUAL

PART NUMBER:  
SED-KLHDMI-0819, SEDKLHDMI-1619



## STATEMENT

### UNITED STATES FEDERAL COMMUNICATIONS COMMISSION INTERFERENCE STATEMENT

This product has been tested and found to comply with FCC regulations Class B (Class B) digital device and FCC specifications Details of Section 15. These specifications are intended to be used in a commercial environment without harmful interference and to provide for the protection of regulated equipment. This equipment generates, and can radiate radio, so if you do not have to install and use as specified in this manual, may cause interference to radio communications. However, there is no guarantee that interference will not occur in a particular installation. If the equipment is turned on or off causing interference to radio and television reception, the user should try the following to reduce the interference.

- Change the direction and move the receiving antenna.
- Increase the distance between the equipment and the receiver.
- Connect the device to the circuit outlet (not the interface to which the receiver is connected).
- Consult the dealer and an experienced radio / TV technician for help.

#### FCC WARNING:

change and modify non-qualified party which is responsible for the equipment is made to void the user's authority to operate the equipment.

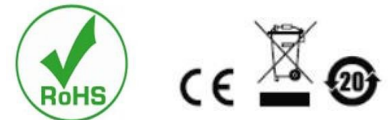


#### CE WARNING:

This product is a Class B product. In a domestic environment, this product may cause radio interference, and the user may need to take appropriate precautions.

#### ROHS:

This product is RoHS compliant.



## USER PRECAUTIONS

The manufacturer has the right to modify and alter the information, documentation and specifications contained in this manual without prior notice. Manufactures makes no warranty, express, implied or statutory, disclaims or specifically disclaims it's possibility of sale and applicability for a particular purpose. The same applies to any sold and authorized manufacturer's software described in this manual. If the Software Program is found to be defective after purchase, the purchaser (and any non-manufacturer, its distributor or its purchaser) will be responsible for all necessary service, repair and any incidental or consequential damages resulting from the Software defect. The manufacturer is not responsible for any unauthorized interference

with the radio or television caused by this equipment. The user must correct the interference personally. The manufacturer will not be liable for any damage resulting from incorrect selection of the operating voltage before operation.

**Please be sure that the voltage has been set correctly before use.**

A typical LCD (liquid crystal display) has millions of pixels. A dead pixel is a defective pixel that does not display the correct color. On the screen, it usually looks like a tiny black or white dot, which can also be any other color. In the manufacturing process, even if a pixel on the tiny dust particles, or in the course of a slight impact during transport, may have a dead pixel. In the ISO 13406-2 specification, four categories of acceptable screen dead pixels are defined: the first is the best product, and the fourth is the worst. Almost all manufacturers use

the second level as a guarantee of the product, allowing a certain number of dead pixels exist, such as more than the tolerance will change the screen. Since the manufacturer is of the opinion that this screen is permitted by the ISO specification, we are not responsible for the replacement or warranty of the TFT LCD panel.

### PRODUCT MODEL DESCRIPTION

model	Configuration instructions
KLHDMI-0819	8input(USB+HDMI)1output+19inch LCD
KLHDMI-1619	16input(USB+HDMI)1output+19inch LCD

### PACKAGE CONTENTS

The multi-computer KVM switch package includes the following:

- LCD KVM switch host x 1
- Power adapter x 1
- User Manual( CD) x 1
- rack fixing plate x 2
- screw package x 1

Check that all parts are present and that they are not damaged in transit. If you encounter problems, contact your dealer.

To prevent damage to the machine or equipment connected to the machine, please read this manual carefully and follow the instructions to install and operate it.

\* There may be additional product features since the publication of this manual. Please visit our website to download the latest version of the user's manual.

Manual date: 2018-05-01

# CONTENTS

About this manual ..... 5

Common Terms ..... 5

## Chapter I

Introduction ..... 6

- Product description ..... 6
- Product Features ..... 6
- Hardware requirements ..... 7
  - Console
  - Computer
  - Cable
  - Operating system
- Component ..... 8
  - Front view
  - Rear view

## Chapter II

Hardware installation ..... 10

- Stacking and installation
  - Standard rack mounting (single rail series)
  - Standard rack mounting (dual rail series)
  - Assembly and disassembly of KVM modules
  - Keyboard module removal
  - Single device installation

## Chapter III

Basic operation ..... 16

- Hot swap ..... 16
  - Hot plug computer connection port
  - Hot swap control port
- Connection port selection ..... 16
  - Manually switch selection
  - OSD menu screen selection
  - Hotkey selection
- Power off and restart ..... 17

## Chapter IV

OSD Operation ..... 18

- Introduction to OSD ..... 18
- OSD login ..... 18
- OSD hotkey ..... 18
- OSD main selection menu ..... 18
- OSD main menu title ..... 18
- OSD function key introduction ..... 19
  - F1 GOTO
  - F2 SCAN
  - F3 LIST
  - F4 QV
  - F5 EDIT
  - F6 SET

## Appendix

- Safety instructions ..... 25
  - General
  - Rack mounting
- Product specification ..... 27
- Warranty conditions ..... 28

## ABOUT THIS MANUAL

This User Manual will assist you in the effective use of product features, including the installation, setup, and operation of your equipment. You can find out what is included in this manual from the following:

**Chapter I Introduction** – This chapter introduces the rack-based KVM device system, including its functions, features, and benefits, and describes its front and rear panel components.

**Chapter II Installation** – This section describes how to install the product, and the necessary steps -include a single base unit is mounted,multi-switch stage connection mounting, mounting extension IP module.

**Chapter III Basic Operation** – Explains the basic operational concepts of the KVM switch.

**Chapter IV OSD Operation** – provides an introduction to the OSD (Screen Menu) of the complete KVM switch and explains how to use it.

**Appendix** – Mainly provides specifications and other technical information about the relevant KVM switch.

## COMMON TERMS

Symbol indicates the text information that should be entered

[ ] The parentheses indicate the keys that need to be entered. For example, **[Enter]** means pressing the Enter key. For keys that need to be entered at the same time, they are placed in the same parenthesis, and the keys are connected by a plus sign. For example: **[Ctrl+Alt]**

1. The number indicates the actual number of operating steps.
- ◆ Diamond symbol indicates that information is provided for reference, but is not related to the operation steps.
  - The origin symbol indicates the classification sub-item information, regardless of the operation steps.

## PRODUCT INFORMATION

To find out more about KVM's products and how to use them more efficiently, please visit our website or contact an authorized dealer for more contact information.

# CHAPTER I

## INTRODUCTION

### PRODUCT DESCRIPTION

The 8/16-port USB Rack KVM Switch is a versatile device that allows administrators to access an 8/16 HDMI computer from a set of USB keyboards, mice, or a set of PS2 keyboards, mice, and consoles.

Provides four easy ways embodiment, the installation can be switched computer architecture: (1) connecting the port select buttons using a switch on the front panel; (2) a combination of the input from the keyboard hotkey; (3) from the screen display (OSD) on the menu select. The Auto Scan feature provides automatic scanning and monitors the computers in the installation architecture one by one. (4) Remote network control operation through the network port of the extended IP module to connect to the computer above the KVM.

This product is very quick and easy to install. Simply connect the cable to the appropriate port, no software setup, no complicated installation procedures, and no incompatibilities. Because the device can directly access the input data of the keyboard, it can operate on a variety of operating platforms (compatible with PC, Mac, Sun, etc.).

Since it is allowed to manage the computer connected to it from a single console, the installation of a group of KVMs, (1) can eliminate the expense of purchasing individual keyboards, monitors and mice for each computer; (2) saving the extra equipment will occupy Space; (3) saving energy costs; (4) avoiding the inconvenience and waste of moving back and forth between computers. (5) Rapidly upgrade to the remote network control mode of IP control mode.

### PRODUCT FEATURES

- A set of USB console controls 8 units or 16 units HDMI computer interface
- The console supports USB TYPE A interface type keyboard and mouse device
- LCD type KVM maximum resolution is 1920×1080@60HZ
- Rack type KVM maximum resolution is 4K X 2K @60HZ
- Switch the computer through the front panel buttons, keyboard hotkeys and screen menu(OSD)
- The controlled device connected BIOS-level access, without fear of invasion risk of viruses and Trojans
- The controlled computer does not need to install any software and drivers, and the controlled computer directly recognizes KVM.
- Scalable remote network control mode IP extension board
- Support OSD to set user login mode and increase KVM login security requirements
- Both local and remote IP modes support high video resolution support 480i, 480p, 720p, 1080i and 1080p(1920×1200), 4K X 2K Ultra HD resolution
- Support widescreen resolution
- Support DDC communication to adapt to different graphics devices
- Auto scan function monitors all computer operations
- Support for cross-platform operations- Windows, Linux, Mac\*, and Sun\*
- The computer mouse and mouse connection port is controlled by Keep Online technology to simulate the mouse and keyboard. The device is safe and stable, and the switching is fast without delay.

## HARDWARE REQUIREMENTS

### CONSOLE

- A set of HDMI display screens that are compatible with the highest resolution of any computer to be installed under the installation architecture
- A set of USB interface mouse
- A set of USB interface keyboard

### COMPUTER

The following devices must be installed on each computer:

- A set of HDMI video display cards
- USB Type A port

### CABLE

KVM device provides two of Connectors cable used according to the user selection:

- the HDMI cable
- USB TYPE A to TYPE B cable

**Note:** The cable length affects the quality of the display. If you need other lengths of cable, contact the merchant you purchased to purchase a cable suitable for this switch.

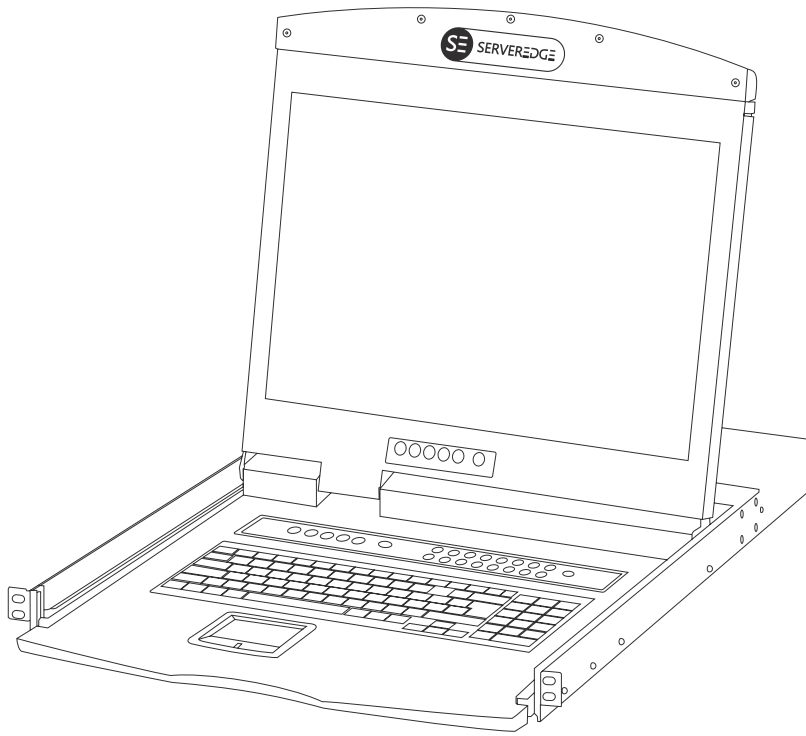
## OPERATING SYSTEM

Operating system		Version
Windows		Windows 2000/ XP/ 2003/ 2008/ Vista/ 7/ 10
Linux	Red Hat	9.0 or higher
	SuSE	10/11.1 or higher
	Debian	3.1/4.0
	Ubuntu	7.04/7.10
UNIX	AIX	4.3 or higher
	Free BSD	5.5 or higher
	Sun Solaris	8 or higher
Mac		OS 9.0 to 10.6 (Snow Leopard)
Novell	Net ware	6.0 or higher

For more operating system support, please pay attention to the latest version of product compatibility.

COMPONENT

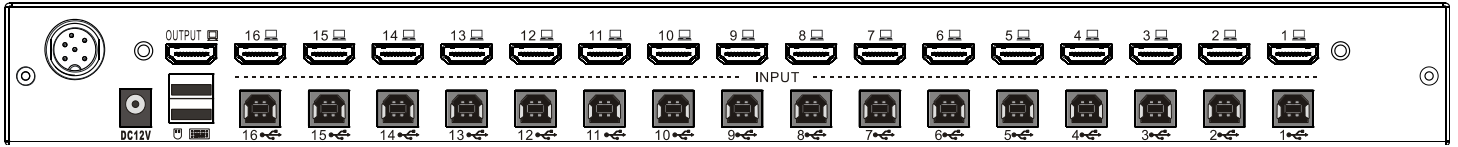
FRONT VIEW



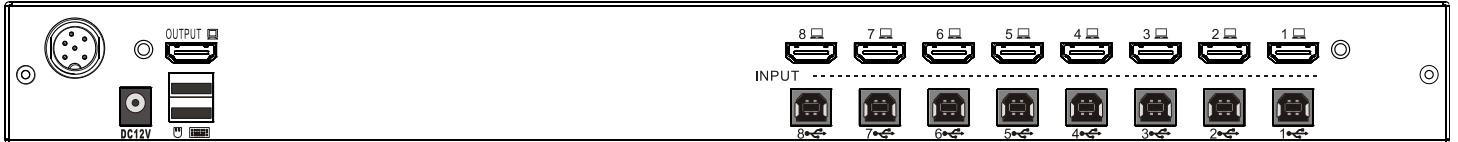
Numbering	component	Functional description
1	Port switch selection button	<p>According to the serial number of the switching port, the user can press the corresponding serial number button to switch the corresponding port to the current operating port, and at the same time, the internal buzzer of the device will be heard, and the switching action is confirmed to be performed correctly. The selected port inline LED will also illuminate.</p>
2	In-line LED indicator	<p>Each button has two LED indicators embedded inside it . The user can judge the current working condition and usage of the device according to the LED indicator embedded inside the button.</p> <ul style="list-style-type: none"> <li>▪ Corresponding to the [ON] position is a red LED, indicating the online indicator, which means that the port is connected to the controlled computer device being used; if the [ON] LED is not lit, it means that no computer is connected to the serial number. The computer on the port or connected is already off.</li> <li>▪ Corresponding to the green LED in the [Select] position, indicating that the port indicator is selected, which means that the computer with the currently selected serial number can be operated. If the [Select] LED is not lit, it indicates that the serial port is controlled. The computer is not selected, not the computer currently operating.</li> </ul>
3	Device reset button	<p>In the small round hole marked with the [RESET] text, to reduce the user's misoperation caused by the device restart, the product uses a built-in reset button, the user can use the needle-shaped object to insert into the round hole for 1-3 seconds as needed. Complete the reset operation of the KVM device.</p>



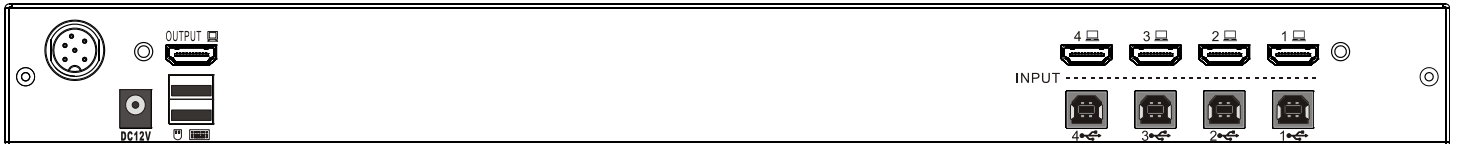
REAR VIEW



16-port KVM rear view

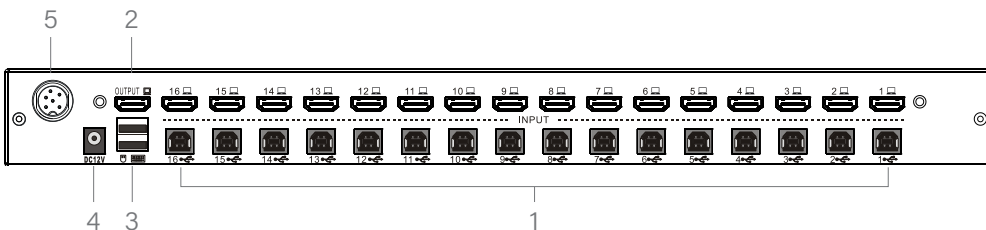


8-port KVM rear view



4-port KVM rear view

Numbering	component	Functional description
1	KVM connection port	Connect one end of the HDM connector of the corresponding KVM cable to the HDMI port of the computer and monitor, connect the TYPE B of the USB to the corresponding port of the KVM, and connect the TAPE A port of the other end to the USB port of the computer. (Please refer to the description of the relevant section of "Cables" for the cable used.)
2	Local HDMI display port	Connect the connection cable of the console hdmi display to this port.
3	USB keyboard, mouse port	The keyboard and mouse device connected to the USB port of the console, the interface is USB Type A.
4	Power jack	Plug the power adapter's cable here.
5	External Video convertor interface	The interface could output one way VGA signal, Which could be connected with IP BOX



## CHAPTER II

### HARDWARE INSTALLATION

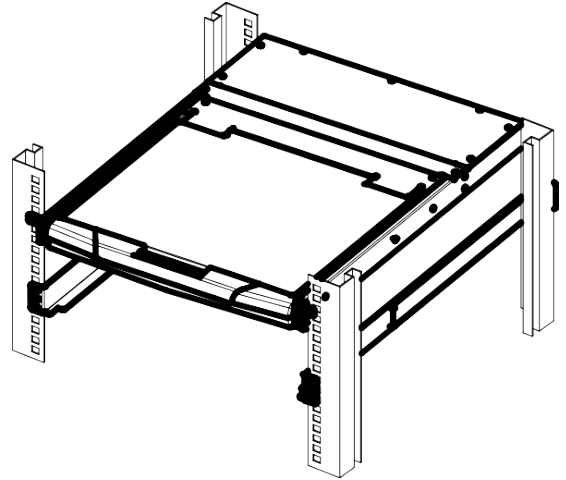
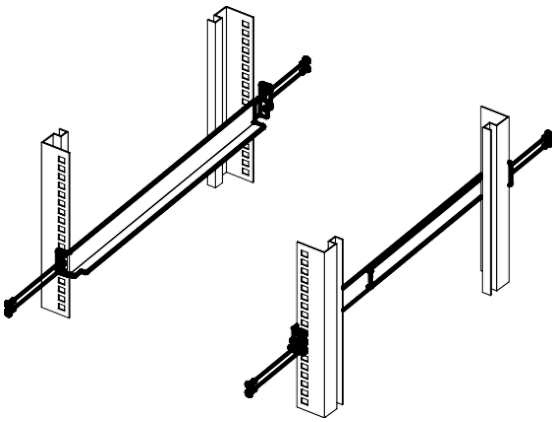
#### STACKING AND INSTALLATION

1. Regarding the placement of LCD KVM important safety information switch has been listed in the Appendix in, please first check the contents before operating.
2. Before installation, please make sure that all the devices you are connected to are powered off. You must unplug all the computer power cords with keyboard power on function.
3. The package of the LCD KVM switch is stuffed with filler to protect the product during transportation. Please LCD module in the subsidiary protective film and a filler, prior to filling out the installation.

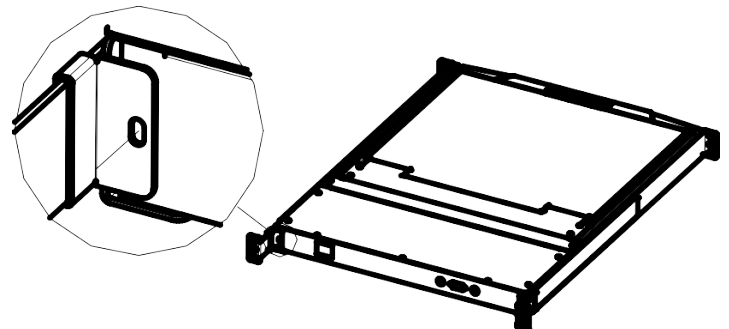
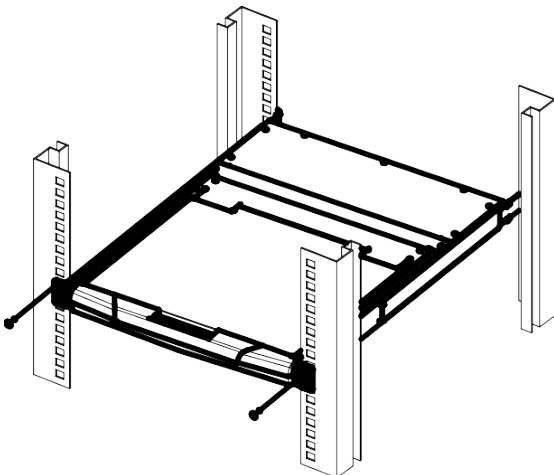
The LCD the KVM switch can be placed on any suitable surface, and sufficient safety support apparatus plus additional cable weight amount ; Confirm plane is clean and free of debris may affect other switch ventilation and normal operation.

#### STANDARD RACK MOUNTING(SINGLE RAIL SERIES)

1. Screw the front flange to the rack first. Slide the bars with the rear flange towards the rack until the flanges make contact with the rack, then screw the rear flanges to the rack.
2. Slide the switch onto the support flanges. Use the screws supplied with this package to loosely attach the front of the switch to the front of the rack.

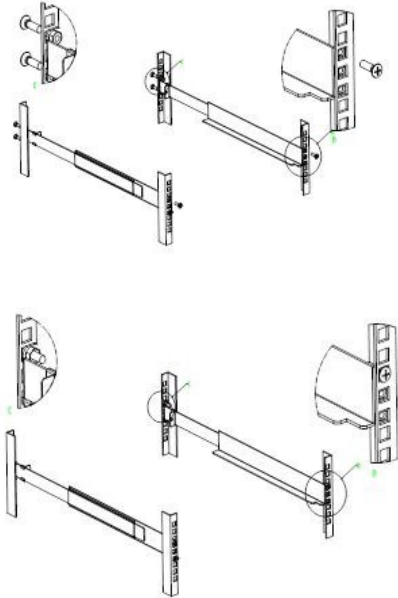


3. Slide the rear attachment sliding brackets along the slide bars until they contact the rear of the switch.
4. Use the screws supplied with this package to attach the bars to the rear of the switch. At this point, you have completed the rack mounting of the LCD KVM switch for subsequent use.

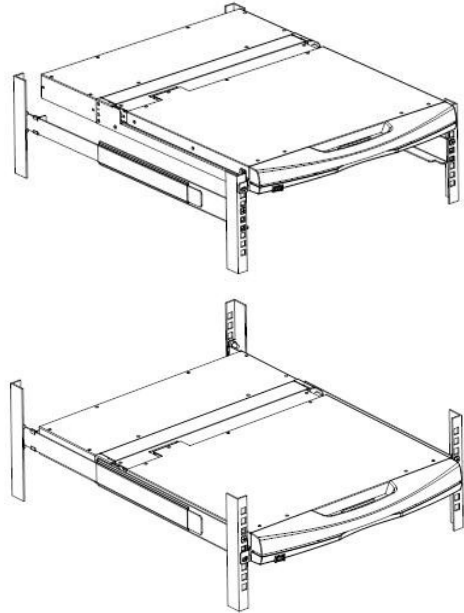


**STANDARD RACK MOUNTING (DUAL RAIL SERIES)**

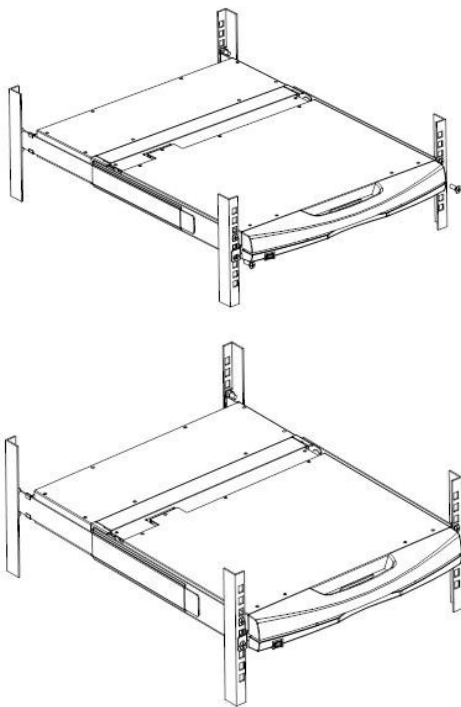
1. Screw the front flange to the rack first. Slide the bars with the rear flange towards the rack until the flanges make contact with the rack, then screw the rear flanges to the rack.



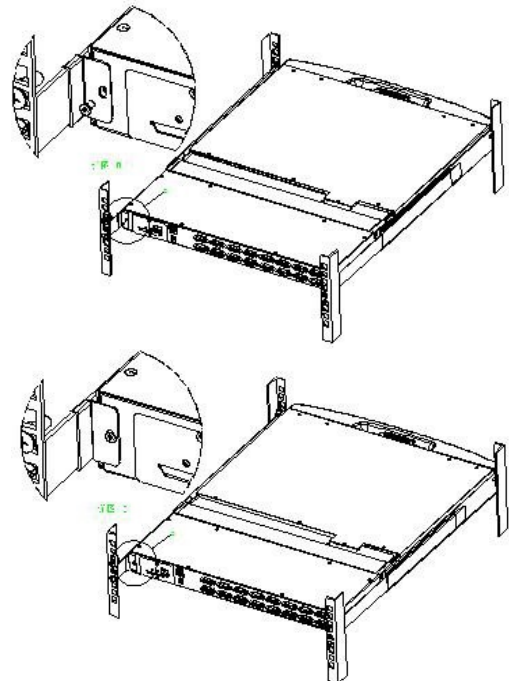
2. Slide the LCD KVM device into the support flange, use screw in this package provided with wire front portion of this switch is fixed to the front of the rack and locked.



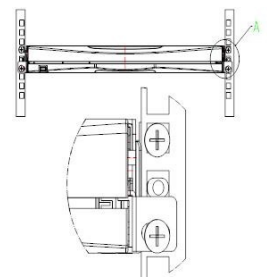
3. Slide the rear attachment slide bracket along the side strips until it reaches the rear of the switch.



4. Use the screws supplied with this package to attach the bars to the rear of the switch. At this point, you have completed the rack mounting of the LCD KVM switch for subsequent use.



**Note:** There may be differences between the dual rail mounting bracket and the single rail bracket. For the dual rail products you have purchased, please refer to the illustration below for installation.



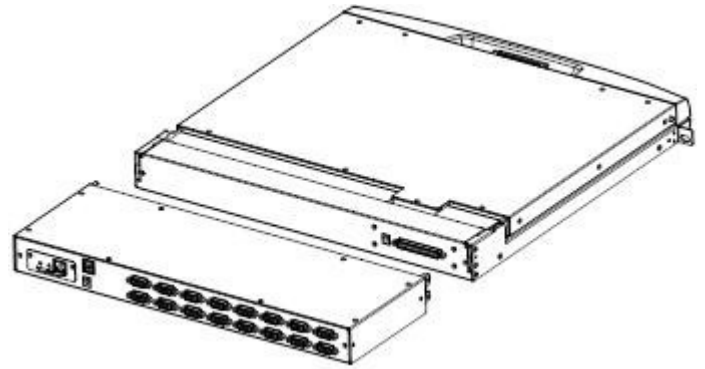
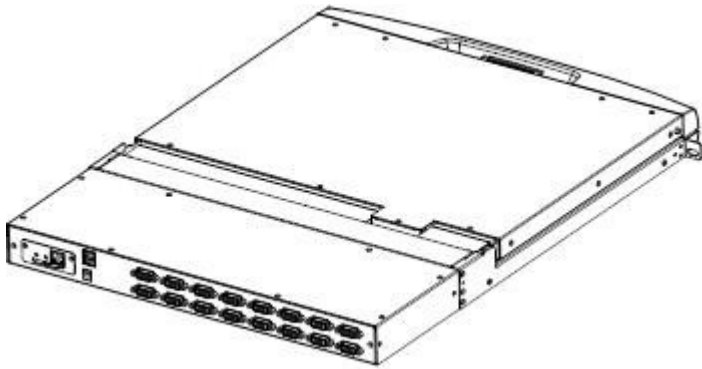
## ASSEMBLY AND DISASSEMBLY OF KVM MODULES

The LCD panel and keyboard and mouse components of this series can be removed and separated from the KVM part of the rear. This design allows you to change the KVM components as needed, or remove the KVM components after the KVM components are damaged and return them to the manufacturer for repair and replace.

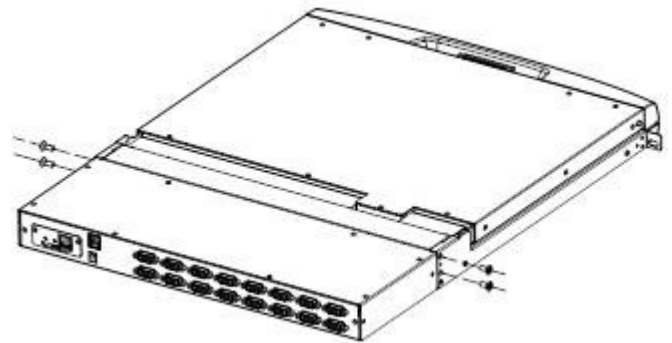
Please refer to the illustration for loading and unloading operations:

- **Loading and unloading of single slide rail module:**

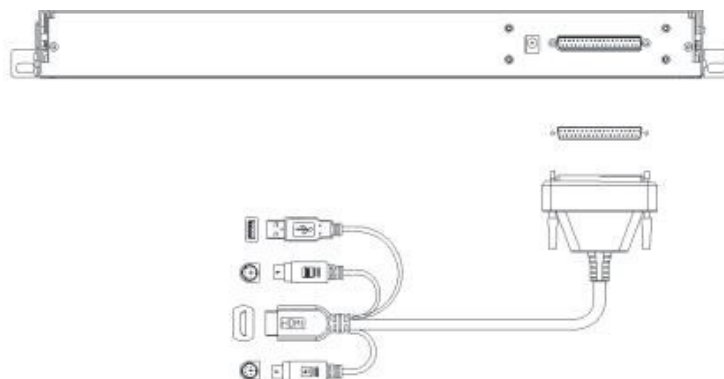
1. Now put this series of products on the appropriate operating platform, and prepare the screwdriver tool for subsequent disassembly and assembly screws.
2. Remove the KVM assembly and the front LCD assembly by removing the KVM assembly and the mounting screws on the brackets on both sides as shown.



3. Disassembly and installation process Pay attention to the interface between the KVM module and the LCD module. Otherwise, the connection interface may be damaged and the device function may be caused. Invalid.
4. Replace the KVM module at the rear of the LCD. Fix the screws in the corresponding screw holes as shown in the figure, and then fix the whole machine in the cabinet according to the corresponding steps.



For single-port HDMI KVM connection, please connect the interface adapter module as shown below.

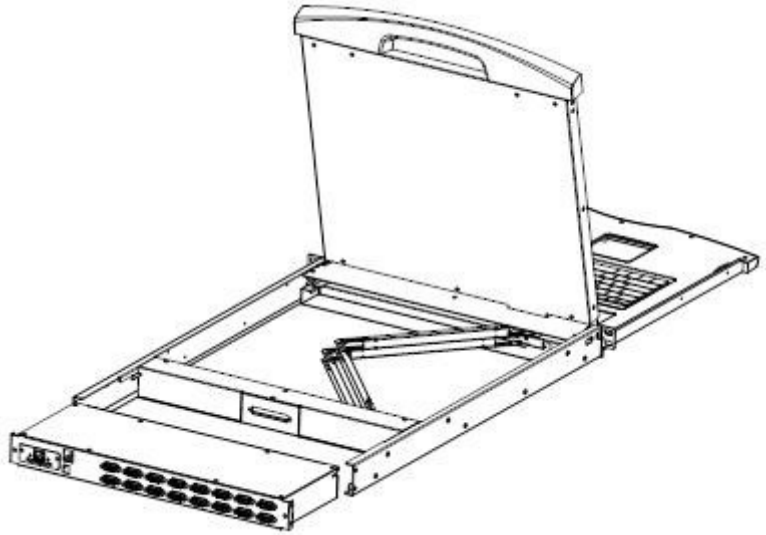


▪ **Loading and unloading of dual slide rail modules:**

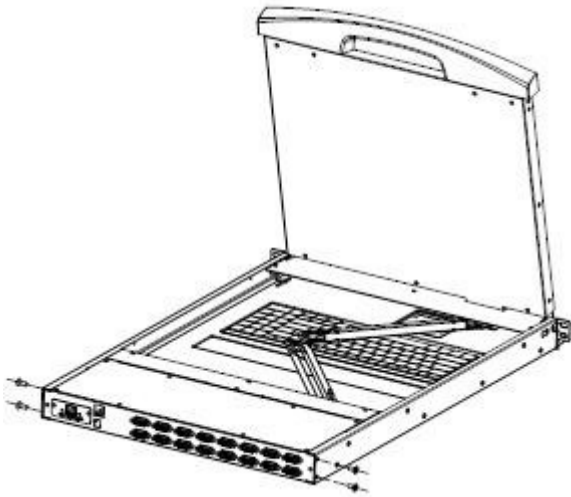
1. Now put this series of products on the appropriate operating platform, and prepare the screwdriver tool for subsequent disassembly screws.



2. Remove the KVM assembly and the front LCD assembly by removing the KVM assembly and the mounting screws on the brackets on both sides as shown.



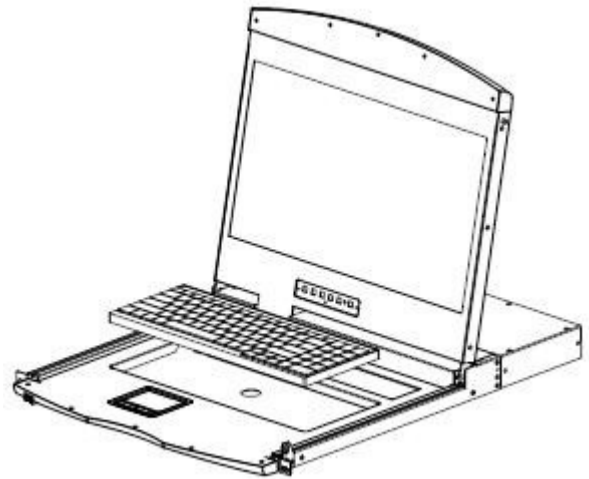
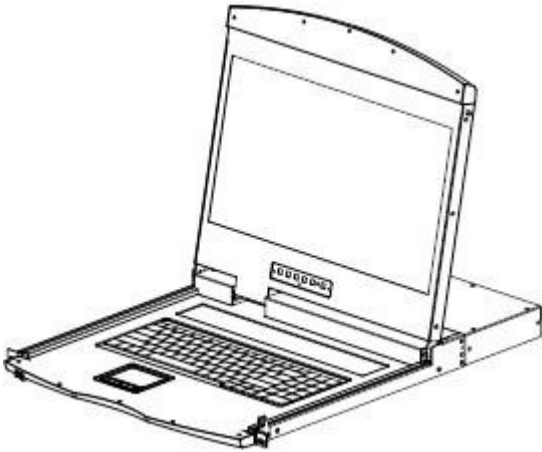
3. Replace the KVM module at the rear of the LCD. Fix the screws in the corresponding screw holes as shown in the figure, and then fix the whole machine in the cabinet according to the corresponding steps.



## KEYBOARD MODULE REMOVAL

If you need to replace the keyboard of the LCD module part or repair this part, you can also disassemble according to the following figure.

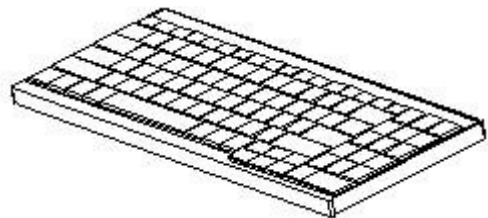
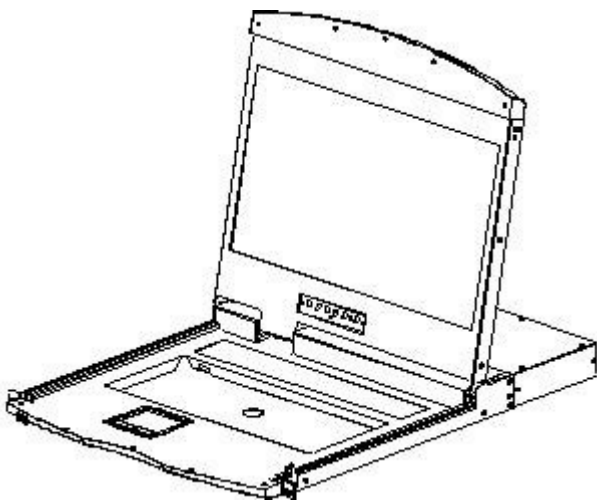
1. Place the LCD KVM on the rack and fix it, and flip the LCD panel to expose the operating surface of the keyboard and mouse.
2. There is a circular hole at the bottom of the keyboard panel. You can use your finger to pass the circular hole to lift the keyboard up.



3. Pull the keyboard out of the limit slot, find the USB port on the connection, and remove the USB Type A connector from the interface.

The keyboard can be removed, and the removal of the keyboard module is completed.

**Note:** If you replace the installation, please plug in the USB interface of the keyboard first, then put the keyboard module into the limit slot.





## SINGLE DEVICE INSTALLATION

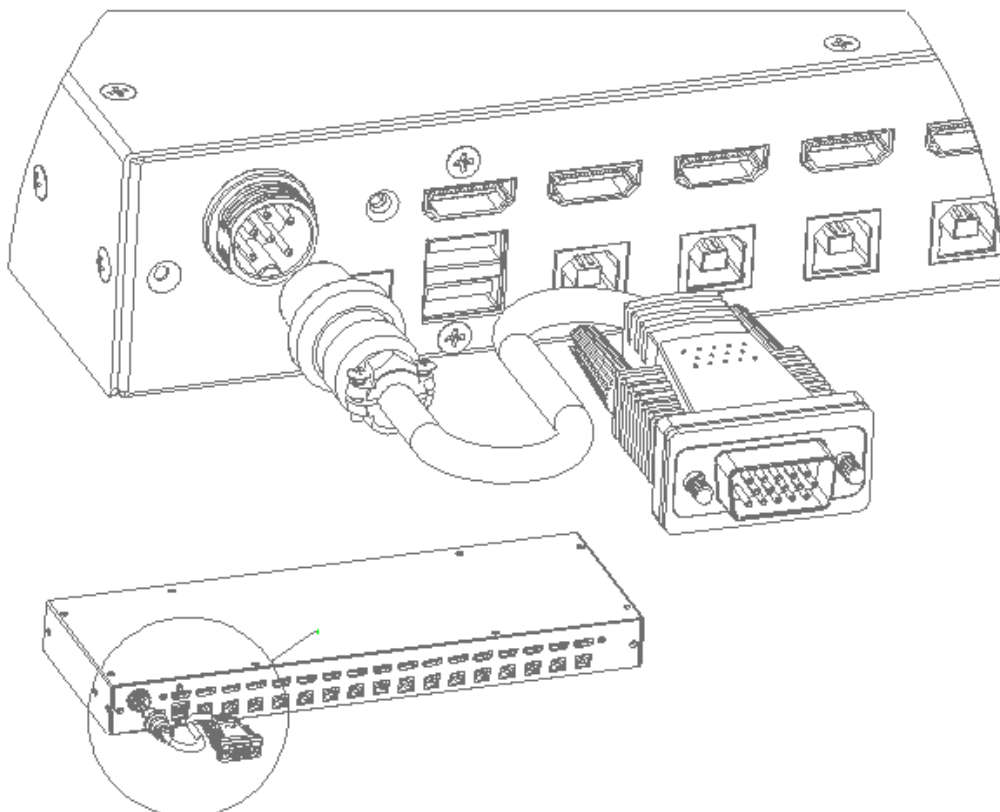
**Note:** Please confirm the power failure status of the equipment before installation. To prevent equipment damage during installation, please confirm that all installed equipment has good grounding protection.

1. Plug your USB keyboard and mouse into the USB console port on the switch's back panel.
2. The HDMI display video signal line is connected to the HDMI control terminal port and powered.
3. Using a set of KVM cables of the model corresponding to this product, plug the HDMI connector into the HDMI port of any available HDMI port area of the switch.
4. Plug the HDMI video connector and USB plug corresponding to the KVM cable into the corresponding port on the computer.
5. Plug the power adapter included with this package into the AC power source, and then plug the other end of the power adapter into the power jack on the switch.
6. Turn on your computer.

**Note:** Make sure all plugs are connected to the KVM port jacks of the same group(all are connected to port1,or all are connected to port2).

## EXTENSIVE APPLICATION OF DEVICE

The device could extend a interface of video output, via special video cable to connect VGA Display monitor; or as a input interface of IP BOX. Connection way as following;



## CHAPTER III

### BASIC OPERATION

#### HOT PLUG

The KVM switch supports hot-plug, removing and removing components by unplugging the cables connected to the computer's port without shutting down the switch. To make the hot swap function work properly, follow these steps:

##### Hot - Plug Computer Connection

In order for OSD Menu to correspond to the KVM connection port changes, you must reset OSD Menu to display the latest connection port information, OSD menu settings. Please refer to the OSD Menu section for more information about functions and usage.

**Note:** If your computer's operating system does not support hot-plug functionality, this feature may not function properly.

##### Hot - Plug Console Port

This product also provides keyboard, mouse and display hot-plug function. This product provides keyboard and mouse port for two interface types. Users can select the corresponding device connection type according to their usage and carry out corresponding control operation.

**Note:** If you access the USB and PS2 keyboard, mouse device, you do not have to use two types of devices, otherwise, may cause the accused computer equipment mouse and keyboard response exception.

### CONNECTION PORT SELECTION

The KVM switch can be used to quickly switch to any computer connected to the KVM in three modes: manual key selection, OSD Menu screen selection, and hotkey selection.

#### Switch the Selection Manually

Use the buttons on the front control panel to select a port.

#### OSD menu screen selection

See the relevant section of the OSD operation for more information.)



### Hotkey selection

This product offers four hotkey switching methods :

**[SCROLL] + [SCROLL] + [NUM]**

**[CTRL]+[CTRL]+[NUM]**

**[ALT]+[ALT]+[NUM]**

**[SHIFT] + [SHIFT] + [NUM]**

The default hotkey switching combination key is **[SCROLL]+[SCROLL]+[NUM]** where **[NUM]** is the keyboard number 1-16, and the keyboard combination hotkey is input to complete the carriage return completion command, and the KVM switch will switch the corresponding number. Port computer. If you want to change the hotkey's key combination, you can make settings and changes in the corresponding options in the OSD menu. (See the relevant section of the OSD operation for more information.)

## POWER OFF AND RESTART

If you need to power off the KVM switch, do the following before turning it back on: 1.Unplug the power supply to the KVM.

2.Turn off all computers connected to the KVM switch. 3.Wait about 10 seconds, then reconnect the KVM switch. 4.Turn on the computer.

## CHAPTER IV

### OSD OPERATION

#### OSD INTRODUCTION

OSD (On Screen Display), provides a menu driven interface to handle the computer switching procedure to provide instant access to any computer on the installation.

#### OSD LOG IN

The OSD function provides a two-level (administrator / user) password mechanism. The factory default setting is no need to login password authentication, so you are the first time to open the OSD main menu, no need to enter the login password to enter the OSD main menu screen for the corresponding operation. If you want to add this function, you can enter the OSD menu, in [ F6 ] "SET" option to set the login password is set successfully, the subsequent login requires the correct administrator / user password to enter the OSD menu Interface operation. When you enter the setting options, some functions may need to be edited and modified by the administrator. The default administrator password is admin. You can also modify and change them as needed.

#### OSD HOT-KEY

By default, you can type the [CTRL] key twice to have the OSD menu appear on the screen of the controlled display and see the connection information and status information about the connected computers on the KVM switch.

**Note:** You can change the keyboard hotkey on the OSD menu according to your needs. This product provides 4 sets of optional OSD menu hotkey combinations. You can select the operation according to your needs. (Please refer to the OSD menu for detailed description. )

### OSD MAIN MENU

Active OSD, following picture will be shown on the screen:



- [F1] [F2] [F3] [F4] [F5] [F6] at the bottom of the screen is the function setting of OSD menu, and corresponding operation and setting of corresponding function by keyboard.
- After entering the OSD main screen, the port number in the center of the screen is the port number of the selected PC. To move up and down through the list one line at a time, use the [↑] [↓] Arrow Keys, press [Enter] to select the switch port.
- Please press [Esc] to exit the OSD menu interface
- To move up or down a row in the list, use the [↑] [↓] arrow keys. If the number of rows in the list is larger than the number that the screen can display, the screen scrolls.
- When the OSD menu is closed, a small blue window will appear on the screen showing the port number that is currently switched to.

## OSD INTRODUCTION

Heading	Explanation
PN	This column lists the port numbers for all the CPU ports on the installation. The simplest method to access a particular computer is to move the highlight bar to it, then press <b>[Enter]</b> .
QV	If a port has been selected for Quick View scanning, an arrowhead symbol displays in this column to indicate so.
PC	The computers that are powered on and are on line have an arrowhead symbol in this column to indicate so.
NAME	If a port has been given a name, its name appears in this column.

OSD functions are used to configure and control the OSD. For example, you can: rapidly switch to any port; scan selected ports only; limit the list you wish to view; designate a port as a Quick View Port; create or edit a port name; or make OSD setting adjustments.

To activate the OSD function key:

1. Press any function key **[F1]** **[F2]** **[F3]** **[F4]** **[F5]** **[F6]** at the bottom of main screen to input the function key.
2. On the sub-menu, move the selection column to the option, and then press the **{Enter}** key.
3. Press the **[Esc]** key to return to the previous menu.

## F1 GOTO:



Press the **[F1]** key to start the GOTO function. The GOTO function allows you to switch directly to the connection port by typing the port name or its port number.

1. To use "NAM" method, move highlight bar to "NAME", press **[Enter]**, input name of a port, then press **[Enter]** to confirm.
2. To use PN method, move highlight bar to "PN", press **[Enter]**, input port number, then press **[Enter]** to switch. If the port number is invalid, it will remind the user to input again.

### Note:

1. When keying name, if there is a matching name, the matched name will appear on the screen, just press **[Enter]** to switch to that port.
2. In the "PN" port input box, only allow the input of numbers, such as the input of other characters are regarded as invalid input, and can hear the equipment issued by the warning tone.

To return to main menu, press **[Esc]**.

## F2 SCAN

Press the **[F2]** key to start the SCAN function. The SCAN function allows the KVM device to automatically switch the connection port. You can set and view it according to the set time interval. To end the SCAN scan, press the **[Space]** button to exit the scan mode. By default, the interval between two port scans is 5 seconds. (Refer to the description of **[F6]** function settings for modification).

## F3 LIST

Press the **[F3]** key to start the LIST function. This function can display the port according to the mode that the user wants to display. It is convenient for the user to quickly and selectively view the corresponding port according to the common habits. The mode provided is as follows:



Choice	Meaning
ALL	Lists all of the ports on the installation.
QVIEW	Lists only the ports that have been selected as Quick View Ports.
POWERED ON	Lists only the ports that have their attached computers powered on.
POWERED ON + QVIEW	Lists only the ports that have their attached computers powered on and have been selected as Quick View Ports.
QVIEW + NAME	Lists only the ports that have been selected as Quick View Ports and have name.
NAME	Lists only the ports that have names.

## F4 QV

Press the **[F4]** key to set or cancel the QV on the port where the cursor is stuck. If the port has an icon, it means the port is set to the express browsing mode. You can see the set port information in QVIEW mode, otherwise it is the normal port.



## F5 EDIT

Press the **[F5]** key to set or edit the name of the current port. The user can set the name by combining letters and numbers as needed.



The maximum number of characters that can be input is 15, and the setting is completed when **[ENTER]** is confirmed.



## F6 SET

Press **[F6]** key to give administrators set the OSD menu. Set and modify related functions, such as port naming, display mode, switching hotkey adjustment, etc.



To change the settings :

1. Move the column light bar to this option, and then press the **[Enter]** key.
2. After selecting the item, the sub-menu and the further options provided will appear. To select it, double-click the mouse or move the selection column to the option, then press **[Enter]**, an icon will appear. Select the option before to indicate that the item has been selected. The setting description is as shown in the following table:

Settings	Function
OSD ACTIVATING HOTKEY	OSD Menu Activates hotkey combination selection settings
SWITCH HOTKEY	KVM port switch hot-key combination selection setting
SCAN DURATION	Port scan dwell time setting
SET PASSWORD	User login password settings
SET SUPER PASSWORD	The administrator login password settings
CLEAR THE NAME LIST	Clear the port name setting
RESTORE DEFAULT VALUE	Reset
LOCK CONSOLE	OSD Menu Password Login Function settings

● OSD ACTIVATING HOTKEY

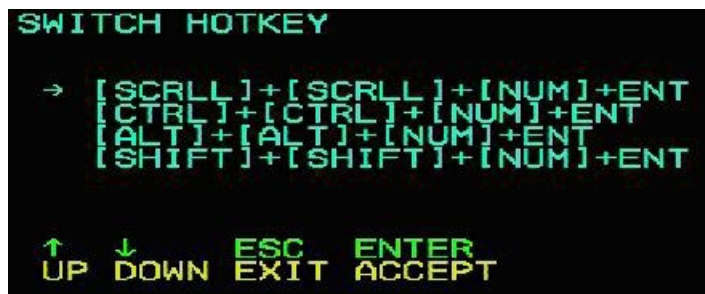


This function sets and changes the startup shortcut hotkey combination of the OSD menu. This device provides 4 hotkey menu combinations: [CTRL]+[CTRL], [SCROLL]+[SCROLL], [ALT]+[ALT], [SHIFT]+[SHIFT] You can use the keyboard as

needed [↑] [↓] The arrow keys move the cursor to select, and then press the [Enter] key to save. Initially, [CTRL] [CTRL] is used as the startup hotkey for the OSD menu.

**Note:** The hotkey combination you set should not be the same as SWITCH HOTKEY, otherwise it will affect related operations and function switching. If there is a conflict with the shortcut key of the user's application software, please change the conflict resolution problem according to the shortcut key shown in the list.

● SWITCH HOTKEY



This function can set the shortcut hotkey for port switching. The user can directly select the port to be switched, skip the OSD display interface selection, and facilitate the user's quick operation. This function provides hotkey combinations: [SCROLL]+[SCROLL]+[NUM], [CTRL]+[CTRL]+[NUM], [ALT]+[ALT]+[NUM], [SHIFT]+[SHIFT]+[NUM] You can use the keyboard as needed [↑] [↓] The arrow

keys move the cursor to select, then press [Enter] to save. The initial default is to use [SCROLL] + [SCROLL] + [NUM] as the hotkey for port switching.

**Note:** The hotkey combination you set should not be the same as the OSD ACTIVATING HOTKEY. Otherwise, it will affect related operations and function switching. If there is a conflict with the shortcut key of the user's application software, please change the conflict resolution problem according to the shortcut key shown in the list.



- **SCAN DURATION**



Change function can set the interval of port switching in SCAN mode. You can use the keyboard [↑] [↓] arrow keys to move the cursor to select, and then press [Enter] to save. The initial default setting is 5 seconds.

- **SET PASSWORD**



This function can set the function permission of the general user. After the setting is successful, the user can only use this password to clear the operation setting of the port name.

- **SET SUPER PASSWORD**



This function can set the administrator password. After the setting is successful, some important settings require the administrator password to be set and changed. Before the change, you need to correctly input the previous password verification before you can enter the new password, as shown in the figure below. The factory default administrator password is admin.

## ● CLEAR THE NAME LIST

```

F6:SET

SET PASSWORD
SET SUPER PASSWORD
→ CLEAR THE NAME LIST
RESTORE DEFAULT VALUE
LOCK CONSOLE

PASSWORD
↑ ↓ ESC ENTER
UP DOWN EXIT ACCEPT
    
```

```

F6:SET

SET PASSWORD
SET SUPER PASSWORD
→ CLEAR THE NAME LIST
RESTORE DEFAULT VALUE
LOCK CONSOLE

CLEAR ALL THE NAME?[N]
↑ ↓ ESC ENTER
UP DOWN EXIT ACCEPT
    
```

This function can clear the NAME setting of all ports. This function needs to verify the administrator ID and password to implement. The password will pop up prompt: CLEAR ALL THE NAME ? [N], if you want this operation to take effect, please enter [Y], then enter the keyboard [Enter] to confirm the effect; to cancel this operation, you can enter [N], then enter [Enter] to confirm the cancel operation, or the keyboard input [Esc] Return directly.

## ● RESTORE DEFAULT VALUE

```

F6:SET

SET PASSWORD
SET SUPER PASSWORD
→ CLEAR THE NAME LIST
RESTORE DEFAULT VALUE
LOCK CONSOLE

PASSWORD
↑ ↓ ESC ENTER
UP DOWN EXIT ACCEPT
    
```

```

F6:SET

SET PASSWORD
SET SUPER PASSWORD
→ CLEAR THE NAME LIST
RESTORE DEFAULT VALUE
LOCK CONSOLE

RESTORE DEFAULT VALUE?[N]
↑ ↓ ESC ENTER
UP DOWN EXIT ACCEPT
    
```

This function is to restore the initial settings. This setting will make all the option functions in the OSD menu return to the initial settings, so please do this carefully. When you perform this operation, you need the password verification of the administrator. There is a prompt of "RESTORE DEFAULT VALUE? [N]" below. If you want this operation to take effect, please enter [Y], then enter the keyboard [Enter] to confirm the effect; to cancel this operation, you can enter [N], then enter [Enter] Confirm the cancel operation, or press [Esc] to return directly

## ● LOCK CONSOLE

This function is used to enable or disable the OSD menu login password. The default function is off. If you need to enable the user, you can enter the setup menu to set it. You need to verify the administrator login password when setting. Each time you enable the OSD menu, you need to type the correct password to further operate the functions of the OSD menu. After the setting is successful, the prompt of this item changes to "UNLOCK CONSOLE "

```

F6:SET

SET PASSWORD
SET SUPER PASSWORD
→ CLEAR THE NAME LIST
RESTORE DEFAULT VALUE
LOCK CONSOLE

PASSWORD
↑ ↓ ESC ENTER
UP DOWN EXIT ACCEPT
    
```

```

F6:SET

SET PASSWORD
SET SUPER PASSWORD
→ CLEAR THE NAME LIST
RESTORE DEFAULT VALUE
UNLOCK CONSOLE

↑ ↓ ESC ENTER
UP DOWN EXIT ACCEPT
    
```



## APPENDIX

### SAFETY INSTRUCTION

#### IN GENERAL

- This product is for indoor use only.
- Please read all the instructions for future reference.
- Follow all the warnings and instructions on the device.
- Do not place this equipment on any unstable surface (such as cart, stand, table, etc.). If this equipment falls, it will cause serious damage.
- Do not use this equipment near water.
- Do not place this equipment near or over the radiator or heating equipment.
- The enclosure is provided with slots for heat dissipation and ventilation. To prevent overheating during operation, do not block or cover the openings.
- Do not place the device on a soft surface (such as a bed, sofa, blanket, etc.). This will block the fan opening and can not be placed in a sealed environment unless proper ventilation is provided.
- Do not spray any liquid on the device.
- Before cleaning, please unplug the power from the wall socket. Do not use any liquid or foam cleaner. Use a damp cloth to clean it.
- Please use this equipment according to the type of power supply on the label. If you are not sure whether the power supply type is available, please contact your dealer or your local power company.
- This equipment is designed for IT distribution system with 100V ~ 230V phase-to-phase voltage.
- To prevent damage to your device, it is important that all equipment be properly grounded
- Do not place anything on the power cord or cable, and route the power cord and cable routing to avoid tripping over it.
- If the equipment uses an extension cord, make sure that the total capacity of all products using the line does not exceed the current carrying capacity of the line. Ensure that the total current of all products plugged into the wall outlet does not exceed 15A.
- Use a surge suppressor, regulator, or uninterruptible power supply (UPS) to help protect your system from sudden, transient, and reduced power.
- Please fix the system cable and power cord properly, and make sure nothing is pressing on the cable.
- Do not insert objects into the machine through the slots of the housing. There is a risk of exposure to dangerous voltage points or short-circuiting of parts resulting in fire or electric shock.
- Do not attempt to repair the equipment by yourself. Please consult a qualified service person for support.

- If any of the following conditions occur, unplug the unit from the wall outlet and return it to a qualified service representative for repair.
  - The power cord or plug is damaged or worn
  - Liquid is spilled into the unit
  - The device is exposed to rain and water
  - The device has been dropped or the housing has been damaged
  - The function of the device is obviously changed
  - The machine can't be operated normally as instructed by the operating instructions.
- Adjustment only for the control functions covered by the operating instructions, and other inappropriate operations may cause damage, requiring more qualified personnel to perform repairs

## **CABINET INSTALLATION**

- Before cabinet installation, make sure that the fixing device is securely fastened to the rack and extended to the ground. The weight of the whole rack can be dispersed on the floor. Mount the front and side securing devices in a single rack or the front-end fixtures in combination with multiple racks before starting rack work.
- Install from the bottom to up in the cabinet, and install the heaviest things first.
- When extending the equipment from the rack, make sure that the rack is stable and stable.
- Be careful when releasing the latch by pressing the device rails and sliding the unit into the rack. The track of the slide rail may clip to your finger.
- After mounting the device to the rack, carefully spread the rails to the locked position, and then slide the unit into the rack.
- Do not overload the AC supply branch circuit that supplies power to the rack. The total load capacity of the rack should not exceed 80% of the branch circuit.
- Make sure that all equipment used on the rack - including electrical outlets and other power connectors - is properly grounded.
- Make sure you have provided proper airflow for the equipment on the rack.
- Make sure that the operating temperature of the rack environment does not exceed the maximum operating temperature set by the manufacturer.
- Do not stand on or stand on any other equipment while you are servicing other equipment on the rack.
- **WARNING:** Slide / rail (LCD / KVM) mounting equipment can not be used with support brackets or work areas.

## SPECIFICATIONS

Features		Single port	4 ports	8 ports	16 ports	
Computer connections		1	4	8	16	
Port selection		OSD menu, panel buttons, hotkeys				
Connector	Control port	monitor	1 x HDMI female			
		keyboard	1 x USB Type A female			
		mouse	1 x USB Type A female			
	Computer port	monitor,	1 x HDMI female	4 x HDMI female	8 x HDMI female	16 x HDMI female
		Keyboard & mouse	1 x USB TYPE B female	4 x USB TYPE B female	8 x USB TYPE B female	16 x USB TYPE B female
Power		1 x DC jack				
Toggle switch	Connection port selection	/	4 x button	8 x button	16 x button	
	KVM reset	1 x half embedded button				
LED's	selected	/	4 x green	8 x green	16 x green	
	online	/	4 x red	8 x red	16 x red	
Analog mode	Keyboard and mouse	USB				
Maximum resolution video		1080P @ 60HZ local				
Scanning interval		3, 5, 10, 15, 20, 30, 40, 60 seconds (default 3 seconds)				
Operating environment	Operating temperature	0-50 ° C				
	storage temperature	-20-60 ° C				
	humidity	0-80% RH, no condensation				
Physical Properties	House	metal				
	size	432 x 155 x 44 mm				
	weight	6.15 KG -7KG				

Features		19 -inch widescreen LCD Monitor
LCD Display Assembly	LCD size ratio	19 inches 16:9
	LCD type	Wide AHVA TFT-LCD
	Visible area	408.96(H) x 230.04(V)
	Resolution	1920*1080@60HZ
	Support color	16.7M color, True 8 bit
	Contrast	1000 : 1 (Typ)
	Backlight	LED
	Pixel spacing	300*300um
	LED life	100,000 hours
	Nominal input voltage	+5.0V
Keyboard	Keyboard layout	Ultra-thin American 100- key, separate detachable keyboard. (Keyboard language format is optional)
	Compatible	Microsoft Windows9, Me/NT/2000/XP, WIN7 , Server2003, WIN8, WIN10
	Interface	Standard PS/2; USB (Chocolate Keyboard)
	Service life	>1,000,000 times
Mouse	Mouse type	Touch the mouse
	Interface	Standard PS/2
	X/Y resolution	>1000 points / inch, (40x40 / mm)
	Service life	>1,000,000 times

## **WARRANTY CONDITIONS**

The Company shall not be liable for damages up to the amount paid by the Customer for the Products. In addition, the Company does not assume any direct, indirect, special, incidental or consequential damages resulting from the use of this product or the enclosed CD-ROM, documentation, etc...; The Company makes no warranty, express, implied or statutory, regarding the content and use of this document and specifically disclaims any implied warranties of merchant ability, fitness for a particular purpose, suitability or fitness for a particular purpose.

