

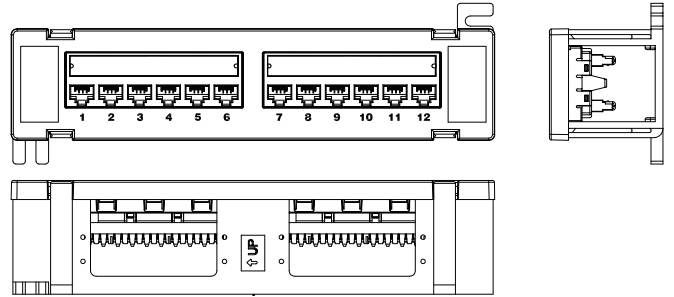
12 PORT CAT6 SURFACE MOUNT PATCH PANEL - UTP

PART NUMBER: PPSMC612

STEP 1

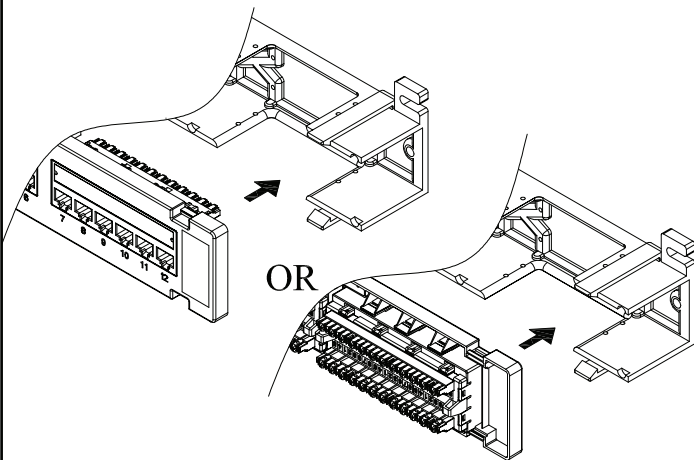
Press wires into position(T568A/T568B)
Do not untwist conductor pairs more than 0.5 inches.

MODULAR WIRING CONFIGURATION		
COLOR CODE	T568B	T568A
White-Blue	5	5
Blue	4	4
White-Orange	1	3
Orange	2	6
White-Green	3	1
Green	6	2
White-Brown	7	7
Brown	8	8



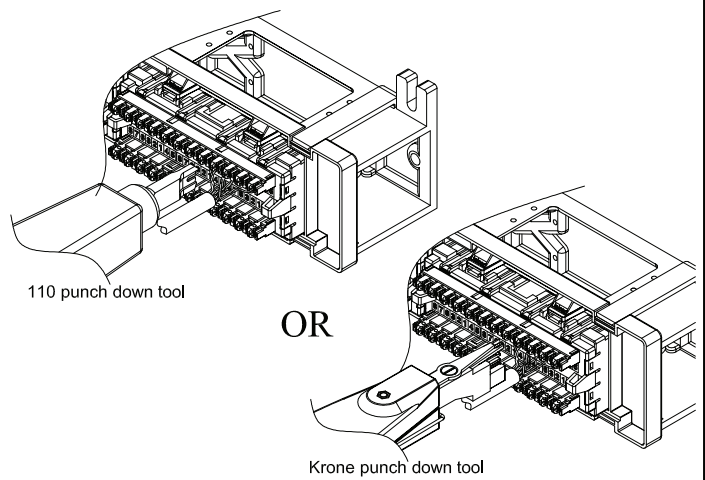
STEP 2

Terminate wires with a 110 punch down tool
or Krone punch down tool.



STEP 3

The panel can be inserted
on the bracket in either directions.



Module Replacement

Insert and rotate the slotted screwdriver
as shown (2 places), take out the
module from patch panel.

