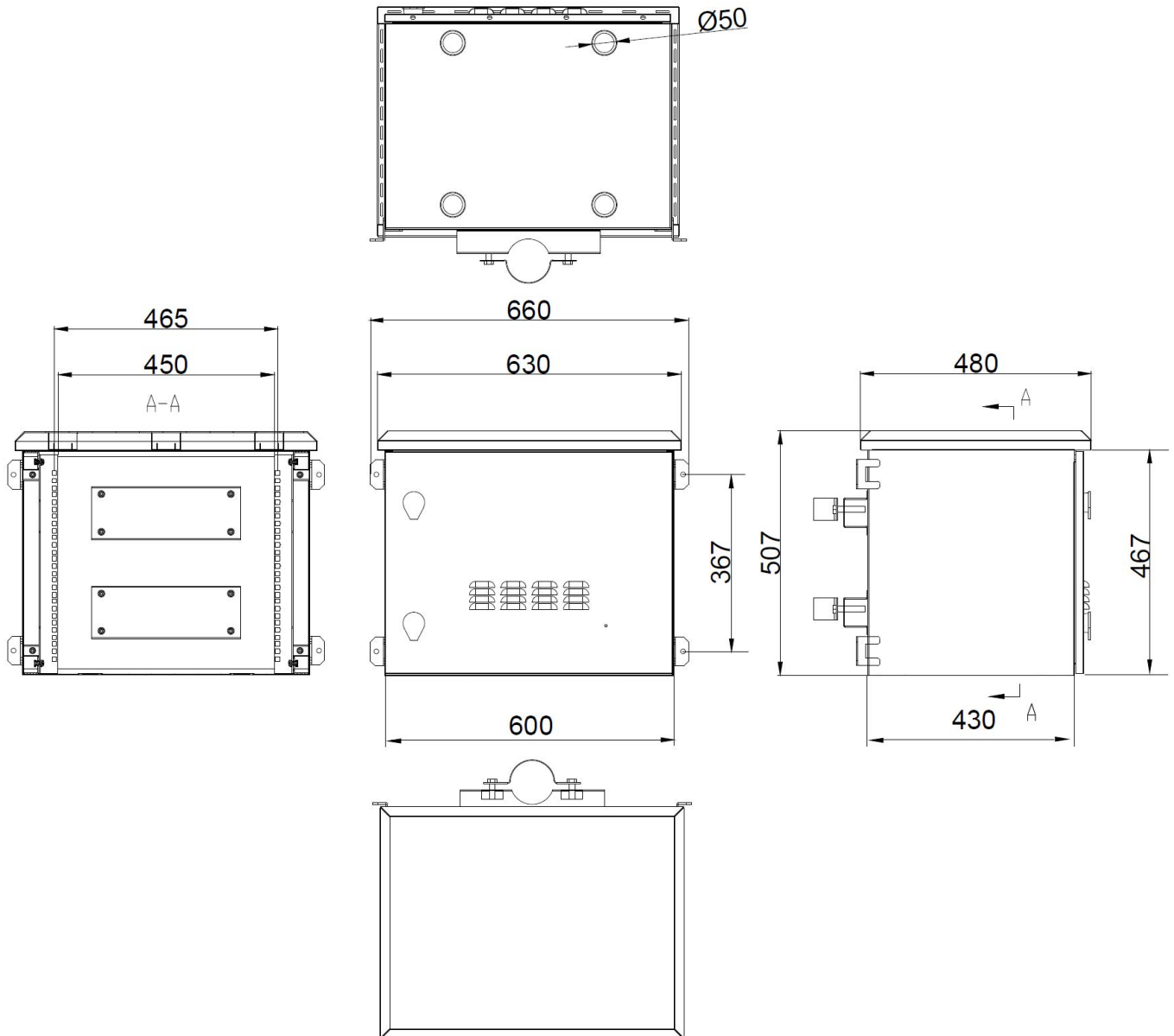


9RU IP56 RATED 600MM WIDE & 450MM DEEP

FULLY ASSEMBLED IP56 RATED WALL MOUNT FIXED FRAME SERVER CABINET

PART NUMBER: **CBNIP-9RU-645WM**

BAR CODE: **9352399005311**



PRODUCT DESCRIPTION

Serveredge IP56 Rated Wall Mount cabinet / enclosures are designed for heavy duty outdoor applications to house sensitive data network equipment in the harshest environments. They are suitable for internal and external installations where equipment may be exposed to dust and water.

This Serveredge cabinet is made up of heavy duty fully welded steel construction, with wall mount brackets and an optional pole mount alternative. Vertical Mounting Rails in the cabinet are adjustable and accommodate all standard 19 inch rack equipment. The solid steel front door consists of filtered ventilation while the roof hood support an integrated 2 way fan unit that ensures generous airflow to keep your equipment operating safely. The cabinet ships fully assembled and comes with a 2 Year manufacturer's product warranty.

GUARANTEE/WARRANTY

Serveredge products are manufactured at the highest standards using highest quality materials at an affordable price. This Serveredge product comes with 2 Year Warranty for that extra peace of mind. Subject to Serveredge Terms and Conditions*

PRODUCT INCLUDES

Serveredge Wall Mount IP56 Enclosure	× 1
M6 screws	× 20
M6 cage nuts	× 20
M6 washers	× 20
Rubber Gands for cable entry	× 4
Keys	× 2
2 Way Fan Uniit	× 1

PRODUCT FEATURES

- Designed for limited space environments where equipment needs to be secure and out of the way
- Adjustable front & rear vertical rack mount rails
- Water Proof Locks (front door)
- IP56 Rating
- Dual fan Unit
- Rubber Glands in bottom Panel for cable routing
- Fully assembled for quick installation
- 2 Year Warranty*

PRODUCT SPECIFICATION

Rack Height	9RU
IP Rating	IP56
Shipping Dimensions (WDH/mm)	700 X 560 X 580
Shipping weight (kg)	36.5
Unit Dimensions (WDH/mm)	660 X 480 X 503
Unit weight (kg)	35
Colour	RAL 7035
Weight Capacity - Stationary (kg)	60
Grounding lug	Front Door
Preset Mounting Distance (front to rear mounting rails) (mm)	310
Maximum Mounting Distance (front to rear mounting rails) (mm)	350
Minimum Mounting Distance (front to rear mounting rails) (mm)	136

OPTIONAL ACCESSORY

IMAGE N/A

SERVEREDGE POLE MOUNT BRACKET (Pair), Compatible with IP Cabinets.

PART NUMBER : PMIP-BKT

