

NEWBRIDGE NB9x80 Series

Improve Wi-Fi network performance and management for enterprises



Newbridge NB9x80 series optimizes secure enterprise applications at branch offices, while reducing the cost and complexity of deploying and managing the wired/wireless network.

KEY FEATURES

- Central control and configuration of up to 1000 Newbridge APs
- Support for 256 WLANs
- Integrated DHCP server
- Ultra-intuitive GUI
- VLAN pooling
- Network monitoring
- Real-time client admission control
- RF channel and power management
- Quality of service with WLAN prioritization, band steering and airtime fairness
- Integrated captive portal for guest network
- Integrated RADIUS server
- Hotspot authentication using WISPr
- VLAN assignment
- Rogue AP detection
- Performance monitoring and statistics
- Report's generator

INTRODUCTION

The Newbridge Wireless Controller 9x80 series is the next-generation networking platform to ensure the best mobility experience over Wi-Fi.

It provides full monitoring and management of the wireless network via a web-based application. It is an enterprise grade system that delivers a secure, robust and easily expandable WLAN solution at an unmatched total cost of ownership.

The Newbridge Controller is developed with simplicity and ease of use in mind. Hence, it is specifically built to bridge the gap between standalone access points (APs) that must be individually managed and complicated high-end enterprise systems that are cost-inefficient for most small business environments.

Perfect for small to large enterprise businesses, the controller-9x80 allows for a robust and secure WLAN with easy deployment and can subsequently be centrally managed and automatically tuned.

Featuring intelligent RF management, automatic fault recovery, fast roaming and load balancing capabilities across APs, the controller series can also achieve seamless, secure wireless network that is deployed on any existing L2/L3 network without interrupting the existing network operation.

NEWBRIDGE NB9x80 Series

WLAN Controller

MANAGEMENT

In a wireless LAN, the controller is the central point of management for network administrators, whether it is monitoring current online users or troubleshooting network connectivity issues. The management console of the controller is a browser-based GUI that is simple and intuitive to operate. From this interface, network administrators can configure profiles, track previous network usage, perform system backup and restore, and much more.

For access points, controllers support automatic discovery and provisioning, eliminating many repetitive and cumbersome tasks often faced during initial network deployment. Centralized AP configuration and monitoring also greatly reduces maintenance overhead for IT staff.

SCALABILITY

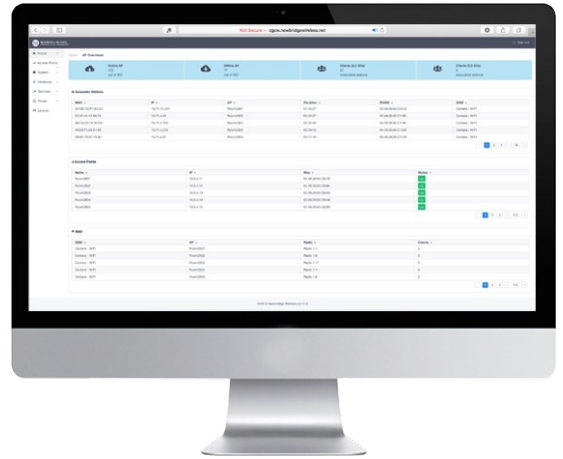
Supporting up to 1,000 APs and 1024 WLANs per device, the NB Controller-9x80 series can easily serve medium to large campus deployments.

ADVANCED WLAN FEATURES

Advanced wireless networking features including rogue AP detection, interference detection, band steering, airtime fairness, role-based user policies, and rate-limiting.

DISTRIBUTED FORWARDING ARCHITECTURE

Maximizes data throughput by sending all data traffic directly from the access points to the wired network.



BENEFITS

- Scalability network environment
- Management makes simple
- Easy to deploy
- Customizable Reports
- Distributed forwarding architecture

EASY DEPLOYMENT

A web-based configuration wizard allows any computer user to configure an entire WLAN in minutes. NB Controller-9x80 auto-discovers the APs. Centralized management and automatic, real-time optimization of entire WLAN.

CUSTOMIZABLE REPORTS

Get pre-defined and customizable reports about network usage and health, including data regarding applications, clients, APs, and overall network performance as well as traffic statistics for troubleshooting, trend analysis, and capacity planning. Stats can be exported to spreadsheets or other tools for further analysis and reporting.

NEWBRIDGE NB9x80 Series

WLAN Controller

DASHBOARD VIEW

Summary view of dashboard is well-presented. Each widget in the dashboard shows different summary statistics such as AP/SSID/Station status information, security status, and station details. The dashboard is fully drilled down into individual APs/SSIDs/Stations for a detailed view with performance statistics.

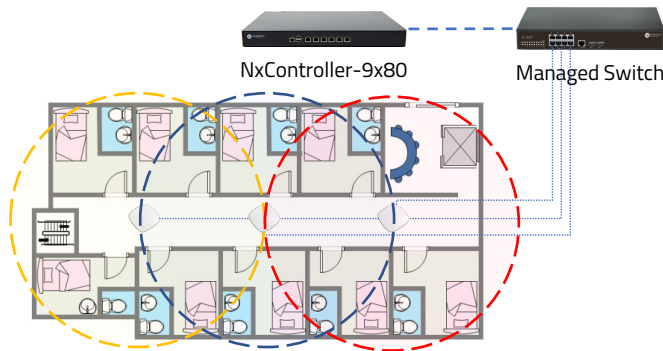
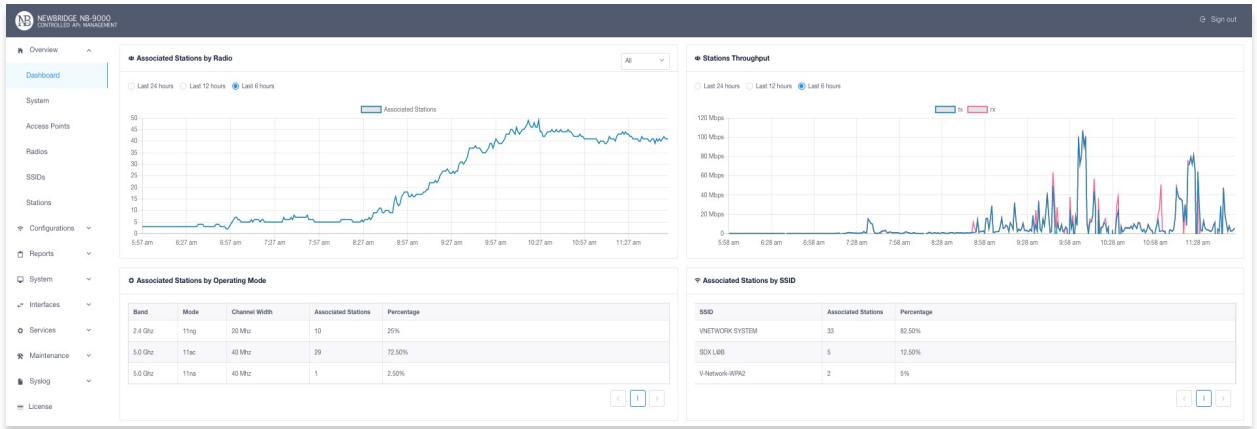


Figure 1: The Newbridge Controller can be deployed anywhere within a Layer 2/3 network. All Newbridge APs are automatically discovered by the Controller and are manually/automatically provisioned.

WLAN Deployment

Internet access is provided as the primary service, and users are given different Wi-Fi access based on different area. Each level of the hotel is equipped with multiple APs to facilitate Internet access.

As Wi-Fi enabled handheld devices such as smartphones and tablets become ever so prevalent in our daily lives, businesses and network operators alike are faced with a mind-boggling dilemma – how to simultaneously address the needs of BYOD (Bring Your Own Device), manage Wi-Fi users, and maintain network service quality for mission critical applications.

NEWBRIDGE NB9x80 Series

WLAN Controller

PHYSICAL	
Power	<ul style="list-style-type: none">External power adapterInput : 100 - 240VACOutput : 12V DC, 4.2A
Form Factor	<ul style="list-style-type: none">1U Rackmount
Dimensions	<ul style="list-style-type: none">Height (H): 42.4 mm,Width (W): 434 mm, Depth (D) 394.3 mm
Weight (net/gross)	<ul style="list-style-type: none">7kg (15.43lbs) / 8kg (17.64lbs)
Ports	<ul style="list-style-type: none">6 Ethernet ports, auto MDX, auto-sensing 10/100/1,000 Mbps1 Console RJ-45 port
USB 2.0	<ul style="list-style-type: none">2
Operating Temperature	<ul style="list-style-type: none">Temperature : 0 °C to +45 °C
Operating Humidity	<ul style="list-style-type: none">Humidity : 10% to 95% RH, non-condensing
Chassis Material	<ul style="list-style-type: none">Steel

CAPACITY	
Managed APs	<ul style="list-style-type: none">Up to 1,000
WLANs (BSSIDs)	<ul style="list-style-type: none">Up to 1,024
Concurrent Stations	<ul style="list-style-type: none">5,000

APPLICATIONS	
Hotspot	<ul style="list-style-type: none">WISPR
Guest Access	<ul style="list-style-type: none">Supported
Captive Portal	<ul style="list-style-type: none">Supported
Client Load Balancing	<ul style="list-style-type: none">Automatic

MANAGEMENT	
Configuration	<ul style="list-style-type: none">Web user interfaceCLI
AAA	<ul style="list-style-type: none">RADIUS
AP Provisioning	<ul style="list-style-type: none">L2 or L3Firmware upgradeRadio channel and power optimization

SECURITY	
Standards	<ul style="list-style-type: none">WPA, WPA2, 802.11i
Encryption	<ul style="list-style-type: none">TKIPAES
Authentication	<ul style="list-style-type: none">802.1x MAC address
Access Control	<ul style="list-style-type: none">L2 (MAC address-based)L2 client isolation
Wireless Intrusion Detections (WIDS)	<ul style="list-style-type: none">Rogue AP detection

SUPPORTED WIRELESS STANDARD	
IEEE	<ul style="list-style-type: none">802.11a, 802.11b, 802.11g, 802.11n,802.11ax, 802.11ac, 802.11r, 802.11k,802.11v, 802.11d, WMM/802.11e,802.11u

NETWORKING	
IP Address	<ul style="list-style-type: none">IPv4, IPv6, dual stack
VLANS	<ul style="list-style-type: none">802.11Q
DHCP Server	<ul style="list-style-type: none">Supported



CE markings to indicate that a product complies with European Union (EU) regulations and directives regarding health, safety and environmental protections. CE marking also have implications for obtaining full RoHS Compliance.



Newbridge logo is in various countries worldwide registered trademarks of Newbridge Technologies International Limited.
Corporate Office: 1410 40 Ave NE #19, Calgary, AB T2E 6L1.
All other company and product names may be trademarks of their respective companies.
All specifications are subject to change without notice.

Contact Us at www.newbridge-tech.com/contact-us

Release: 2304121543