



E-B4M5X040W3-L



### Product overview

The Newbridge EX Series BULLET IP Camera is a Motorized 5x zooming auto focus, most affordable 4 Megapixel High Resolution Full HD specifically design for indoor, day and night color recording with smart functionality, such as motion detection, excellent low-light sensitivity and High Dynamic Range with up to 30 frame /s at 1296p, more than Full HD recording and give real live times viewing.

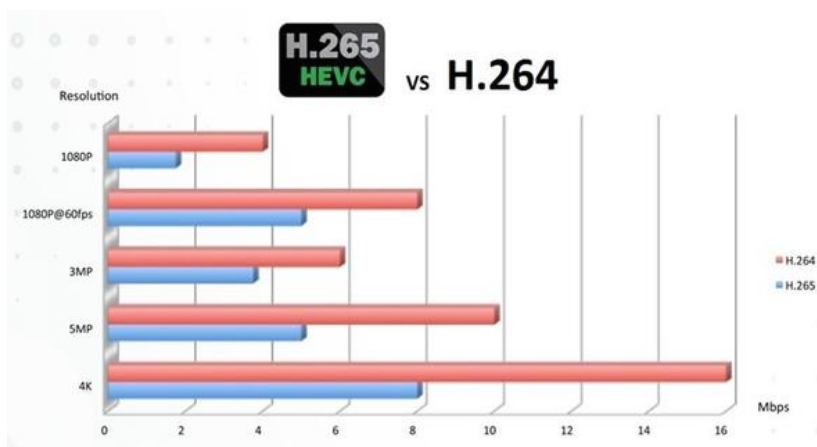
Powered by OmniVision’s high performance 4 Megapixel CMOS image sensor with high-speed processing, low noise and low power dissipation. Increase sensitivity in the near infrared range as well as the visible light range. This makes it possible to obtain clear images that enable to sufficiently discriminate subjects even under moonlit conditions.

### Key features and benefits:

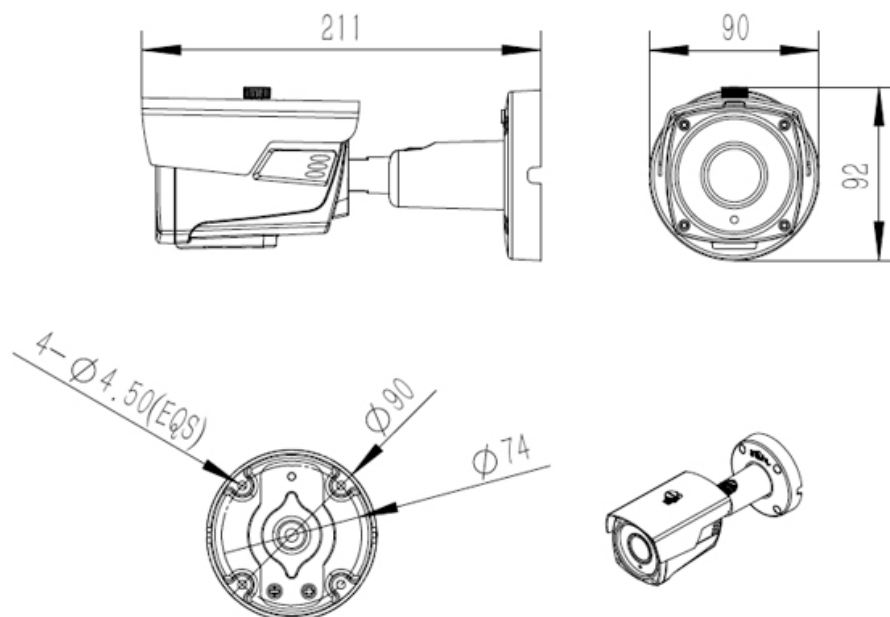
- **120dB WDR** allow clear images to be seen in light and dark areas simultaneously – rather than over exposing or under exposing various areas of scene. The following shown the WDR images.



- **H.265** compression allow further reduce the network bandwidth consumptions in transmission and take up less storage space.



- **Infrared range** up to 40 meter
- 1296P up to **30fps frame rate**
- **3D NR (Noise Reduction)**
- **Triple Stream video**
- **Defog and BLC support**
- **ONVIF open standard compatible.**
- **High Dynamic Range**
- 10/100Base-T RJ 45 port with IEEE802.3af Power over Ethernet
- Audio I/O options.
- IP67 rated weather proof

**Dimensions:****Specifications**

Newbridge Camera	EX-B4M5X040W3-L
<b>Camera</b>	
<b>Sensor</b>	1/3", OV Low Illumination CMOS Sensor
<b>Resolution</b>	4 Mega-pixel
<b>Frame Rate/second</b>	1926p > FHD up to 30 frame/s
<b>Lens</b>	2.7 - 13.5mm
<b>Angle of View (H)</b>	93° - 22°
<b>Shutter</b>	Auto: PAL 1/25-1/10000Sec; NTSC 1/25-1/10000Sec
<b>Min. Illumination</b>	0 Lux with IR
<b>Infrared distance</b>	40 meter
<b>Day/Night</b>	IR-cut filter with auto switch (ICR)
<b>S/N</b>	>52 dB
<b>WDR</b>	Optical WDR (up to 120dB)

<b>Newbridge Camera</b>	<b>EX-B4M5X040W3-L</b>
<b>Video</b>	
<b>Max. Resolution</b>	2560 × 1440
<b>Video Compression</b>	H.265, H.264, MJPEG
<b>Frame Rate</b>	1440P : 20fps, 1296P/1080P (1920×1080): Max. 30 fps; 720P (1280×720): Max. 30 fps; D1 (720×576): Max. 8 fps
<b>Video Streaming</b>	Triple
<b>Corridor Mode</b>	Supported
<b>Defog Mode</b>	Supported
<b>BLC</b>	Supported
<b>Privacy Mask</b>	Supported
<b>Smart</b>	
<b>Behavior Detection</b>	Motion detection
<b>Audio</b>	
<b>Audio Compression</b>	G.711
<b>Network</b>	
<b>Protocols</b>	TCP/IP, ICMP, HTTP, HTTPS, FTP, DHCP, DNS, DDNS, RTP, RTSP, RTCP, NTP, SMTP
<b>Compatible Integration</b>	ONVIF, API
<b>Interface</b>	
<b>Audio I/O</b>	Optional
<b>Network</b>	10M/100M Base-TX Ethernet, POE (IEEE802.3af)
<b>General</b>	
<b>Housing</b>	Metal
<b>Power</b>	DC12V±10%, 1100mA
<b>Power</b>	Power consumption: Max 10W
<b>Dimensions (Ø x H)</b>	211(W) x 92(H) x 90(D)mm
<b>Weight</b>	1.4 kg (3.08 lb)
<b>Working Environment</b>	-20°C ~ +60°C (-4°F ~ 140°F), Humidity ≤ 95% RH(non-condensing)
<b>Ingress Protection</b>	IP67



---

© Copyright 2012–2017 Newbridge Technology Int. Ltd. The information contained herein is subject to change without notice. The only warranties for Newbridge Technology products and services are set forth in the express warranty statements accompanying such products and services. Nothing herein should be construed as constituting an additional warranty. Newbridge Technology shall not be liable for technical or editorial errors or omissions contained herein.