

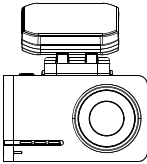
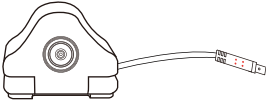
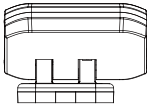
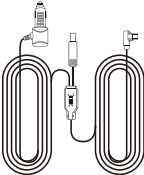
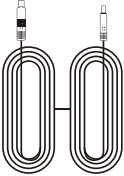

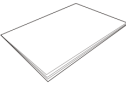


Mirror Dash Cam D07 Instruction Manual

Content

Package Contents	2
About the Micro SD Card	3
Installation	4
Power ON/OFF	9
About Time settings	10
Video Mode	12
Playback Mode	13
Play on Computer	15
About the Camera Settings	19
Product Specifications	24

Package Connects

		
Dash Cam	Rear Camera	
		
Built-in GPS	Car Cigar	
		
Rear Camera Cable	Electrostatic Adsorption	User Manual



Following items are included in the package, if any items are missing or damaged, contact WOLFBOX immediately.

About the Micro SD Card

When using a new MicroSD card, be sure to format it on the main body.

- 1 Do not remove or insert a Micro SD card while the power is on.
- 2 Use a Micro SD card with Class 10 or higher(8GB-128GB). We Recommend 64GB SAMSUNG Class 10, U3 Speed Micro-SD Card.
- 3 For stable use,it is recommended to format the micro SD card regularly.

Recommend: Once a month.

- 4 Please press the "" button once to enter the menu settings,Then press the down button to scroll down until you see FORMAT, press the "" button to confirm to format the SD card.
- 5 This product will check the Micro SD card at startup and will announce if it is not inserted or damaged,that can prevent missed shots.

How to insert and remove a card

1 To install

Make sure the camera is turned OFF First. Then facing towards the front of the camera (Lens Side). Then insert the memory card half way in. Then use the finger nail or a paper clip to push the card all the way inward until it clicks and locks in place.

2 To remove

To remove the Micro SD card, gently push its edge inward until it clicks, and then pops out, then simply pull it out of the slot.

Installation

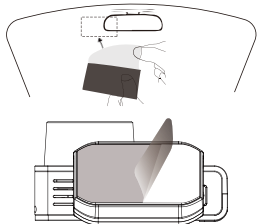
The camera comes with the default settings which allows you to start using your camera right out of the box without changing any settings. Make sure to format the memory card before first time use.

How to install the main body

- 1** Installation Position-Most people will install D07 next to the rear view mirror and opposite side from the drive. First, Stop the engine where there is some light and in a safe place.

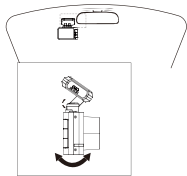


- 2 Make sure to clean your windshield from the dust particles and attach the electrostatic sticker to the windshield.
- 3 Peel off the 3M tape attached to the GPS built-in bracket and attach it on the electrostatic sticker on the windshield.



About electrostatic Sticker

- Since the adhesive strength is strong on both sides and it is difficult to peel off once it is pasted, it will be troublesome if the pasting position is incorrect. Therefore, we design the electrostatic sticker to be attached to the windshield first, then stick the bracket with 3M Adhesive on the electrostatic sticker. You can easily readjust the location by sticking the 3M Adhesive on the electrostatic sticker and peeling it off.
 - To strengthen the fixing force, do not attach the main body and leave it for 24 hours or more.
 - Re-sticking may weaken the adhesive strength of the tape and cause it to fall off. If you need more accessories, please CONTACT US.
- 4 Use the power cord to connect the Type-C Port of the product to the car's cigarette lighter socket.



How to install the rear camera

We recommend install the rear camera above the license plate.

- 1 Fix camera with 3M adhesive Find a best location,tear off the 3M adhesive on the rear camera,fix the rear camera near by the car license plate lamp. (if you need to adjust the angle, please attach the rear camera bracket to the rear camera and tighten it with screws first).



- 2 Remove the Panel
Remove your trunk's interior panel to expose the cars rear wiring chambers. Pop open your trunk and look for a solid interior panel covering the opposite side of your license plate mounting area. Then,insert a trim removal tool or other thin device behind the panel and pry it off.



3 Snake the cable

Use a trim removal tool to pop out tailgate trim, then run the cable from outside of the car into the trunk of your car.



4 Connect the rear camera's power cable to the extension cable. After snaking your rear camera's extension cable, connect the power cable to your rear camera's extension cord.

*The red wire on the rear camera cable does not need to be connected. (Designed for another model of our products)



5 Route your rear camera's power cable to the front of the car. If you'd like, use a trim removal tool to pop out the headlining panel directly above your windshield. Then, run your cable through the exposed chamber.

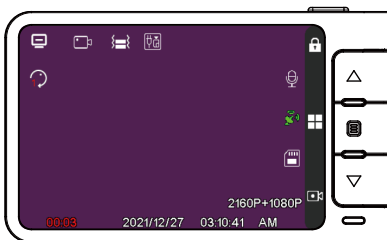


6 Start the engine and check if the product works properly.

Note: Power on the dash cam with box included car charger, don't charge it with your own chargers.



HOME SCREEN



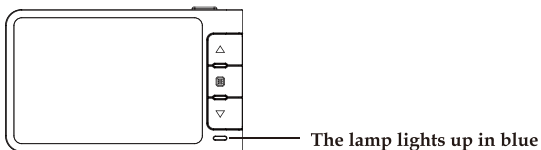
Home Screen Status Icons

Icons	WHAT DOES IT MEAN?	Icons	WHAT DOES IT MEAN?
	Generates in 1 min/3 mins/ 5 mins per file		Display voice recording status
	Indicates that the rear camera is not connected		Indicates that the rear camera is connected
	Displays the recording status and recording time. The red icon flashes during recording to show the current video recording time		G-Sensor sensitivity display
	Display the date and time of the machine		Show video recording mode
	Display recording resolution		Red led blinking: Recording Video No Red led: Not Recording Video
	Show SD card status		Power on
	Display GPS status		Emergency Video Lock
			Stop Recording Video
			Enter the menu

Power ON/OFF

<Power ON>

- If you turn on the engine (ACC on) while the cigar power adapter is connected, the power will be turned on automatically and the opening screen will be displayed.
- Press and hold the power button to turn off the power during startup, and then briefly press the power button again to turn on the power of the unit and display the opening screen.

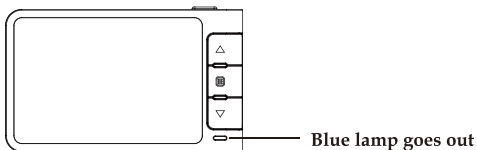


Micro SD card check function

This product will check the MicroSD card at startup and will announce if it is not inserted or damaged, that can prevent missed shots.

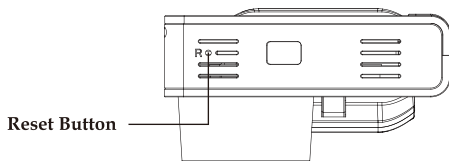
<Power off>

- When the engine is turned off the power is automatically turned off.
- If you press and hold the power button while the power is on, the power of this unit will be turned off.



Reset

- Press the RESET Button at the bottom of the camera once. If the camera is freezing or stuck where no buttons will respond, then please press the RESET button only ONCE at the bottom of the camera with a paper clip or tip of the pen while it is turned ON. This will restart the camera.



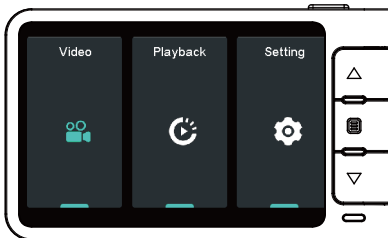
About Time Settings

You can set the GMT time-zone value instead, so the camera will set the date and time based on the GMT value selection when it receives the GPS signal lock Automatically. You can set the daylight saving time by adjust the time-zone.

2-CAMERA MODES

D07 has 2 different camera modes:








1. Video mode
2. Playback mode



Video Mode

When the engine is turned on, the power is automatically turned on.

Button function in video mode

Button	Icon	Function
		Long press to power on/ off Press once to switch the view display
		Long press to turn on/off the WiFi function (If turned on, the password will be displayed. You can use the power button to check) You can manually lock the file by short press
		Press once to enter the main menu
		Long press to stop recording Press once to take a snapshot

There are four resolutions:

*Front only: 3840*2160P

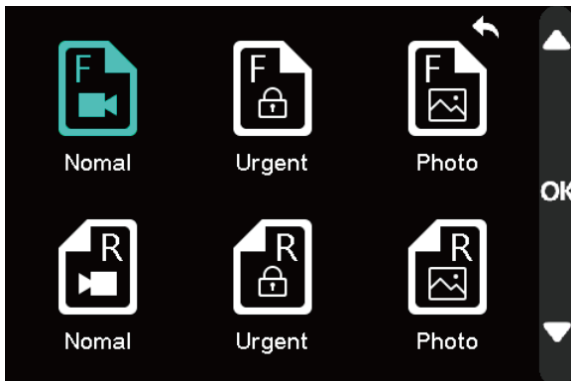
*Front only: 2560*1440P

*Front2160P + Rear1080P

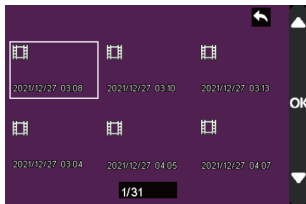
*Front1440P + Rear1080P

Playback Mode

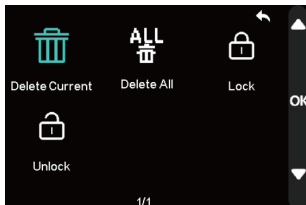
Playback mode lets you play your Video file or photos. It can even let you delete or lock any videos while viewing it.



	Normal files of front camera
	Normal files of rear camera
	Locked files of front camera
	Locked files of rear camera
	Photos of front camera
	Photos of rear camera



Short press " " button to playback the file.



Long press " " button to delete/lock/unlock the selected file.

- [Delete Current]: Delete the displayed file
- [Delete All]: Delete all files
- *Unable to delete locked file.You can manually unlock and then erase.
- [Lock]: Manually lock the display file
- [Unlock]: Manually unlock the displayed files

Photo and Video Files Screen

<Still photo file>



File name
 "XXXXXX_XXXXXF":Front camera photo
 "XXXXXX_XXXXXR":Rear camera photo

<Video File>



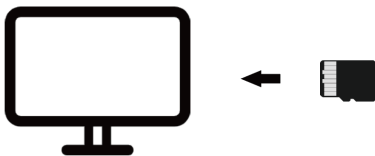
File name
 "XXXXXX_XXXXXF":Front camera video
 "XXXXXX_XXXXXR":Rear camera video

Play on computer

How to output data on computer:

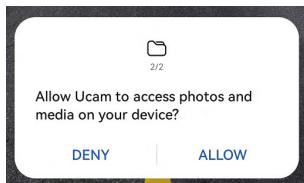
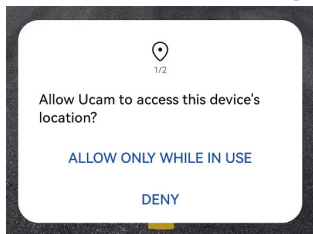
The video recorded by this product can be displayed in conjunction with Google Maps by installing the dedicated viewer software on your computer.

* An internet connection is required.



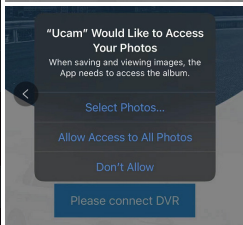
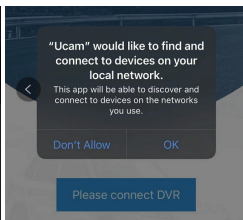
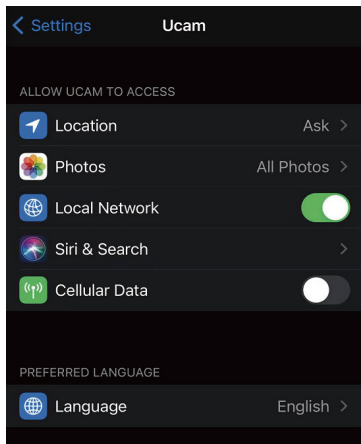
For Android Phone

Please choose to allow when these prompts appear.

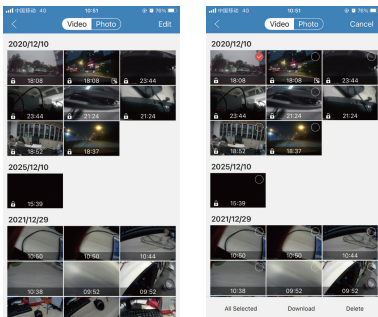



For iPhone

If you get this pop up for your iPhone while using WiFi feature, make sure to tap on "ALLOW" or "OK"



Check/Play date with APP



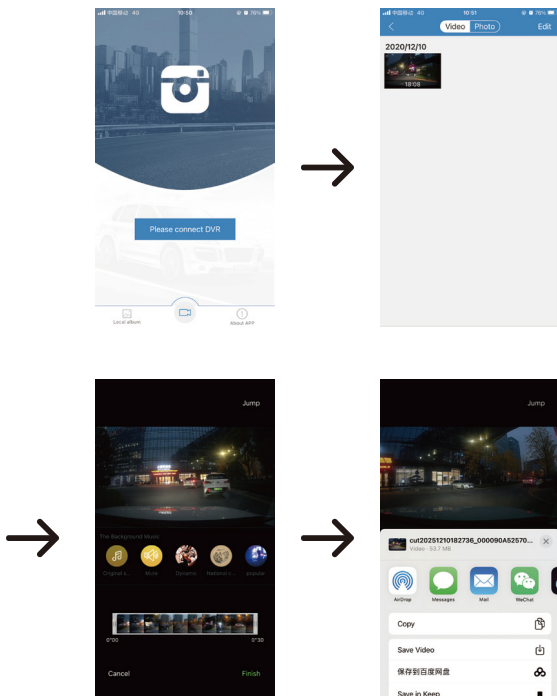
- You can check and play the data by pressing  on the recording screen to enter the data file.
- On the data file screen,press[Edit],select the file you want to download, and press [Download] to download the file and ave it to the [local album] which you can find on the interface of APP, then you can download to the smartphone album.

You cannot delete the lock file unless unlocked the file manually.

You can select a local album,play the downloaded data,and view it in conjunction with Google Maps.(internet connection environment is required.)



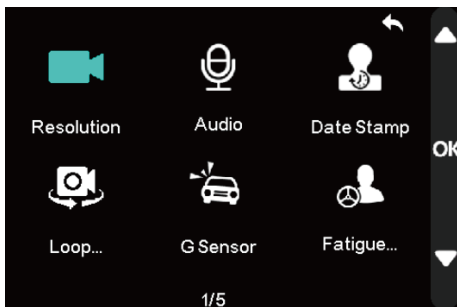
Edit and share with the APP



You can enter local albums, edit downloaded files and share them in the APP interface.

About the Camera Settings

Short press "☰" button to enter the setting interface after power on. In this case, the video recording will be stopped and you get the Settings Menu.

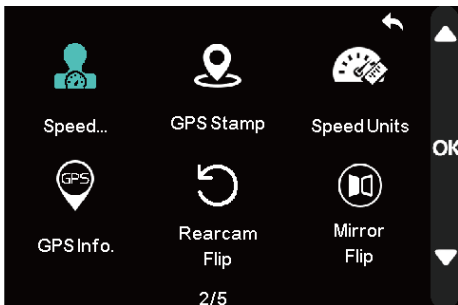


- [G-Sensor]: Off /low / medium/ high

G-Sensor is a 3-axis impact gravitational accelerometer which is designed to detect physical and gravitational forces on the camera. The video will be locked-hi the event when G-Sensor is triggered due to physical or gravitational impact force on the camera, the current loop cycle length of video file will be locked so it will NOT be deleted by loop cycle function.

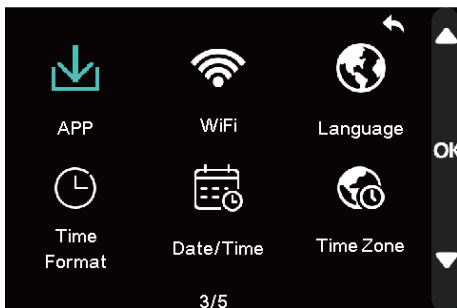
- [Fatigue Driving]: Off/1H/2H/3H/4H

A reminder will be made when drive for 1H/2H/3H/4H continuously.

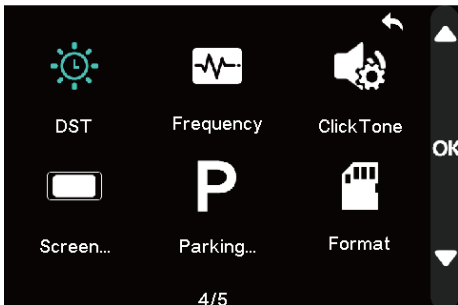


- [Speed Stamp]: Speed stamp on/off
- [GPS Stamp]: GPS stamp on/off
- [Speed Units]: KMH/MPH

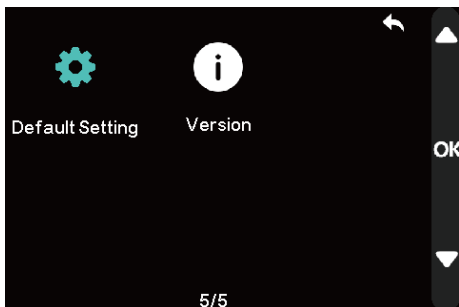
- [GPS Info]: This feature allow you to see your current geographical location in Latitude & Longitude.
- [RearCam Flip]: You can flip the angle of the rear camera by 180°.
- [Mirror Flip]: You can Mirror image left and right.



- [APP]: QR code to download the APP
- [WiFi]: WiFi on / off
- [Language]: This setting allows you to choose your language setting for camera's firmware.
- [Time Format]: 12H/24H
- [Date/Time]: You do not need to manually adjust the time because GPS will automatically update the time based on your location.
- [Time Zone]: Here you can choose your desired or local time zone setting based on GMT value.



- [DST]: You can adjust the DAYLIGHT SAVING TIME ON/OFF.
- [Frequency]: Here you should choose the frequency accordingly to your power supply specification used in your country based on your geographical location.
60 Hz (USA - North America)
50 Hz (Europe - Most Asian Countries)
- [ClickTone]: This feature allows you to turn ON/OFF camera button's beep sound.
- [Screen Saver]: OFF-This will keep the video ON all the time.
10S/30S/2Min-The screen will turn off, but the recording will remain.
- [Parking Monitoring]: Requires hardwire kit(sold separately)
Does not work without hardwire kit
- [Format]: This feature will allow you to format inserted memory card, all the data will be deleted.



- [Default Setting]: Here you can restore all the settings to factory default settings.
- [Version]: Here you can check the current firmware version installed on your camera.

We will notify you via Amazon if there is a new software version.

Product Specifications

Model	D07
Display	2.45 inch IPS
Power	12V/24V
Aperture	1.5
Battery	Super capacitor
Video Format	Video: MP4 Still image: jPG
Loop Recording	1/3/5mins
Recording Method	Nomal recording / Emergency recording
Screen View	Front + Rear view / Front view / Rear view
Resolution	Front 3840*2160P, Front 2560*1440P, Front 2160P+Rear 1080P, Front 1440 P+Rear1080P
GPS	Yes
G-sensor	3 Axis G-sensor
Audio	Support sound recording and playback
Micro SD card	Micro SD 8GB-128GB
Record Display Method	Main body display /Computer/ Smartphone
Temperature	-20°C"70°C
Warranty period	1Year