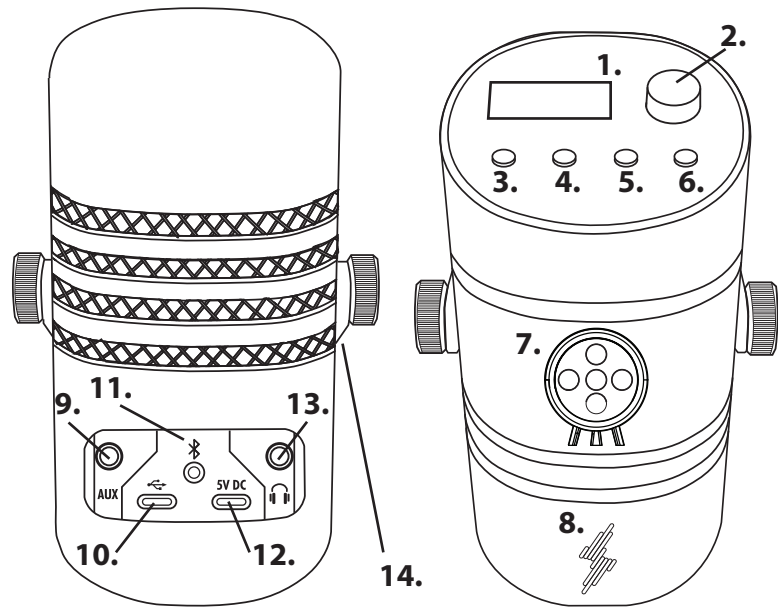


FLASH TRACK 快速使用指南



產品規格

尺寸(不含麥克風架):

長: 65mm 寬: 64mm 高: 108mm ± 1%

重量: 270g ± 1%

數位接口: USB-C(USB 2.0)藍芽 5.0

類比接口: 3.5mm TRS *2(耳機/AUX)

電源功耗: 正常: 0.6W

IR 啟動: 1.2W

音訊規格: 24bit/192KHz

音頭: (ø25mm) 電容式

收音指向: 心型指向

頻率響應: 20Hz-20,000Hz

最大音壓: 130 dB

增益範圍: 46dB

請掃描獲得更多支援服務



使用步驟

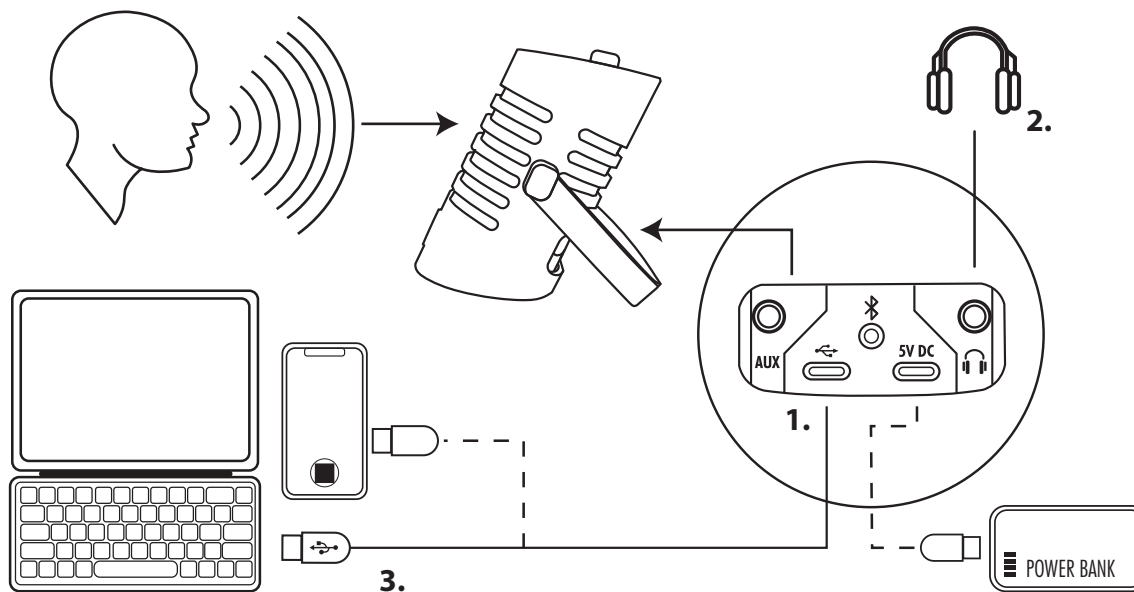
1. 接上USB裝置，麥克風綠燈亮起，開機動畫出現
2. 接上耳機，調整麥克風以及監聽音量
3. 設定錄音軟體，紫燈亮起代表連接成功，即可面對麥克風正面開始錄音

*若麥克風亮起紅燈，請先確認是否使用原廠線材且接在USB數據接孔。若仍然無法使用，則代表此裝置不支援 USB audio 功能，無法使用本產品。

**如遇USB裝置有供電限制而無法正常啟動麥克風，請在5V DC 供電孔接上外部電源，協助麥克風順利啟動。

*** 錄製過程中，可外接音源或以藍芽加入伴奏音檔。相關教學資訊可以到官網常見問題頁面取得。

1.OLED顯示螢幕	顯示即時訊號強度以及協助功能操作
2.主旋鈕	旋轉進行功能設定，按壓返回主畫面
3.VOL鍵	調整麥克風以及監聽音量
4.EQ鍵	調整EQ設定
5.COMP鍵	調整Compressor設定
6.REV鍵	調整Reverb設定
7.麥克風音頭	收音位置，多種燈號顯示目前麥克風狀態 <ul style="list-style-type: none"> 綠燈：待機 紅燈：找不到USB裝置 藍燈：開啟IR 紫燈：成功連接USB裝置，即可開始錄音 閃爍：麥克風靜音中
8.LOGO鍵	<ul style="list-style-type: none"> 短按：調整IR以及控制Loop back的開啟/關閉 長按：控制麥克風靜音開/關
9.AUX接孔	3.5mmTRS接孔，連接外部音訊
10.USB 數據接孔	連接支援USB Audio 裝置進行錄音 Flashtrack裝置名稱：FT_USB
11.藍芽配對鍵	開啟藍芽配對模式，以藍芽方式輸入外部音訊 藍芽裝置名稱：FT_BT <ul style="list-style-type: none"> 無燈號：待機 閃爍：啟動配對模式 恆亮：完成藍芽配對
12.5v DC供電孔	USB-C接孔，連接行動電源或是變壓器供電
13.耳機孔	3.5mmTRS接孔，連接耳機
14.麥克風支架	使用於支架安裝，螺帽尺寸為1/4英寸



功能	圖示	說明
開機		供電成功螢幕即會出現開機動畫，並以麥克風燈號顯示目前USB連接狀態，若順利連結將亮起綠燈。若是找不到USB裝置，麥克風即會亮起紅燈，此時請檢查是否使用正確線材連接 USB 數據接孔。 *部分Android機型會因為USB省電機制造成綠燈-紅燈反覆閃爍。在開始錄影錄音後若能切換為紫燈則無須擔心。
主畫面		依序顯示麥克風、外部音源、總輸出音訊的即時訊號強度 請將各音量強度調整在畫面提示的兩個刻度之間以獲得較佳音質。
調整音量		按壓VOL鍵以及搭配主旋鈕即可調整麥克風和監聽耳機的音量。調整完成後，可按壓主旋鈕返回主畫面或進入其他調整功能。
調整EQ		按壓EQ鍵進入調整畫面，搭配主旋鈕選擇不同EQ預設值：FLAT/WARM/CLEAR/BRIGHT，或在My EQ中長按EQ鍵，進入自訂參數模式以短按EQ鍵切換以下頻點，搭配主旋鈕進行增減。 <ul style="list-style-type: none"> Low shelf: 100Hz Bass: 250-500Hz Low MID: 600-900Hz High MID: 1K-2.5K Treble: 3K-5K High shelf: 8K
調整Compressor		按壓COMP鍵進入調整畫面，搭配主旋鈕選擇不同Compressor預設值：OFF/CAST+/PUNCH+/SING+/DYNA+，在My COMP長按COMP鍵，進入自訂參數模式以短按COMP鍵切換以下項目，搭配主旋鈕進行增減。 <ul style="list-style-type: none"> THRESHOLD RATIO GAIN ATTACK TIME RELEASE TIME
調整Reverb		按壓REV鍵進入調整畫面，搭配主旋鈕選擇不同Reverb預設值：OFF/MODERN/CONCERT/LIVE/CLASSIC/K-OK，或在My REV中長按REV鍵，進入自訂參數模式以短按REV鍵切換以下項目，搭配主旋鈕進行增減。 <ul style="list-style-type: none"> TYPE TONE SPACE BLEND
調整IR		按壓Logo鍵進入IR調整畫面，搭配主旋鈕選擇不同IR預設值： <ul style="list-style-type: none"> RBN：以鋁帶麥克風為基準 DYN：以動圈麥克風為基準 開啟IR時，麥克風燈號將會轉為藍色。
調整Loopback		按壓Logo鍵進入Loopback調整畫面，搭配主旋鈕控制Loopback開關。 *若要進行多軌錄音建議關閉
恢復預設值		在主畫面時，同時長按主旋鈕以及LOGO鍵五秒，即可回到原廠預設值。
麥克風靜音		長按 LOGO 鍵可將麥克風靜音 麥克風靜音時，麥克風燈號將以閃爍方式表示。此時僅有(麥克風)音訊靜音，不影響其他輸入音源。

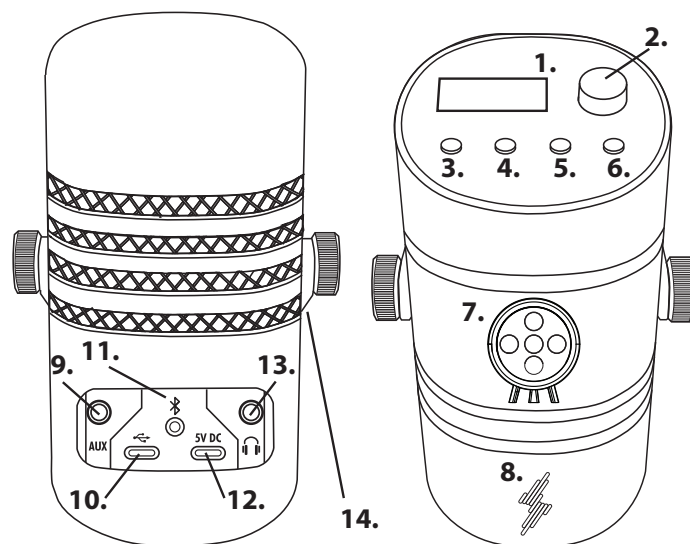
安全警語

1. 使用前請詳讀指南規範，並適當保存本指南
2. 避免將產品直接與液體接觸，或於潮濕、通風不佳的環境使用
3. 請使用原廠提供或建議規格之配件與線材
4. 使用過程請適當控制耳機音量，避免傷害聽力
5. 請勿自行拆裝機體外殼，如有任何問題請先聯繫客服
6. 使用過程中請適當調整線材與擺放位置，避免絆倒、掉落等意外
7. 請將產品放置於孩童無法取得之環境
8. 產品底部有序號可供查詢

NCC警語

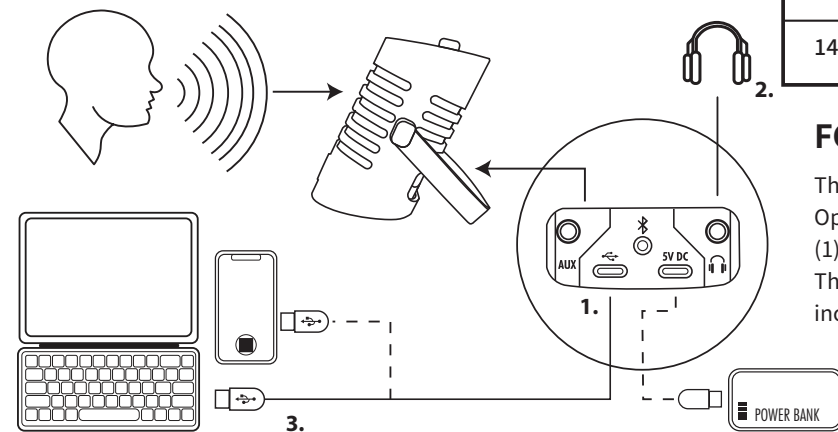
取得審驗證明之低功率射頻器材，非經核准，公司、商號或使用者均不得擅自變更頻率、加大功率或變更原設計之特性及功能。低功率射頻器材之使用不得影響飛航安全及干擾合法通信；經發現有干擾現象時，應立即停用，並改善至無干擾時方得繼續使用。前述合法通信，指依電信管理法規訂作業之無線電通信。低功率射頻器材須忍受合法通信或工業、科學及醫療用電波輻射性電機設備之干擾。

FLASH TRACK QUICKSTART GUIDE



Product Specifications

Dimensions (excluding microphone stand):
 Length: 65mm, Width: 64mm, Height: 108mm ±1%
 Weight: 270g ±1%
 Digital Interface: USB-C (USB 2.0), Bluetooth 5.0
 Analog Interfaces: 3.5mm TRS *2 (Headphone/AUX)
 Power Consumption: Normal: 0.6W, IR Startup: 1.2W
 Audio Specifications: Bit Depth/Sample Rate: 24-bit/192kHz
 Microphone Diameter: Ø25mm, Condenser
 Polar Pattern: Cardioid
 Frequency Response: 20Hz-20,000Hz
 Maximum Sound Pressure Level: 130 dB
 Gain Range: 46dB



Usage Steps

1. Connect the USB device. The microphone's green light will turn on, and the opening animation will appear.
2. Connect headphones and adjust microphone and monitor volume.
3. Configure your recording software. A purple light indicates a successful connection, and ready for recording.

*If the microphone shows a red light, please ensure that you are using the original cable and it is plugged into the USB data port. If the issue persists, it means that the device does not support USB audio functionality and cannot be used with this product.

**In case of power limitations on the connected USB device preventing the microphone from starting correctly, connect an external power source to the 5V DC power port to assist in starting the microphone.

*** During recording, you can connect external audio sources or add accompaniment tracks via Bluetooth. For related tutorials and information, please visit the FAQ page on our official website.

1. OLED Display Screen	Displays real-time signal strength and function operations.
2. Switch Knob	Rotates for function settings, press to return to the home screen.
3. VOL Button	Adjusts microphone and monitor volume.
4. EQ Button	Adjusts EQ settings.
5. COMP Button	Adjusts compressor settings.
6. REV Button	Adjusts reverb settings.
7. Microphone Head	Controls microphone position and displays various indicators for the microphone's current status: <ul style="list-style-type: none"> · Green Light: Standby · Red Light: USB Device Not Found · Blue Light: IR On · Purple Light: USB Device Connected, Ready to Record · Flashing Light: Microphone Muted
8. LOGO Button	<ul style="list-style-type: none"> · Short Press: Adjusts IR and toggles Loop back function. · Long Press: Controls microphone mute function.
9. AUX Port	3.5mm TRS jack for external audio.
10. USB Data Port	Connects to USB Audio devices for recording. Flahtrack Device Name: FT_USB
11. Bluetooth Pairing Button	Activates Bluetooth pairing for external audio via Bluetooth. Bluetooth Device Name: FT_BT <ul style="list-style-type: none"> · No Light: Standby · Flashing: Pairing Mode Activated · Steady Light: Bluetooth Pairing Completed
12. 5V DC Power Port	Connecting to power adapter or external power.
13. Headphone Jack	3.5mm TRS jack for headphones output.
14. Microphone Stand	Used for mounting the microphone, with 1/4 inch thread.

FCC Certification

This device complies with Part 15 of the FCC Rules. Operation is subject to the following two conditions:
 (1) This device may not cause harmful interference, and (2) This device must accept any interference received, including interference that may cause undesired operation.

Online Support Page



Features	Icon	Description
Power On		The screen will show an animation when the power is on. The LED will show the connection status by different colors. Green = USB connected, Red = NO USB connection! Please check if you are using the original cable and connect to the USB data port if you see a constant red light. *Some Android models may cause the green and red lights to flash due to USB power saving mechanisms. You can ignore that if it switches to a purple light during recording, which means the device is still working properly.
Home Screen		Displays real-time signal strength for the microphone, external audio source, and total audio output. Please adjust the volume intensity for each within the two ranges indicated on the screen to achieve the best audio quality.
Volume		Press the VOL button and use the switch knob to adjust the microphone and monitoring headphone volume. After adjusting, press switch knob to return to the home screen or access other adjustment functions.
EQ	Press the EQ button to enter Hold EQ button on 'My EQ' page 	Use the switch knob to select different EQ presets: FLAT/WARM/CLEAR/BRIGHT Press the EQ button to toggle between the following frequency points and use the switch knob to adjust: <ul style="list-style-type: none"> · Low shelf : 100Hz · Bass: 250-500Hz · Low MID: 600-900Hz · High MID : 1K-2.5K · Treble: 3K-5K · High shelf: 8K
Compressor	Press the COMP button to enter Hold COMP button on 'My COMP' page 	Use the switch knob to select different presets: OFF/CAST+/PUNCH+/SING+/DYNA+ Press the COMP button to toggle between the following items and use the switch knob to adjust: <ul style="list-style-type: none"> · THRESHOLD · RATIO · GAIN · ATTACK TIME · RELEASE TIME
Reverb	Press the REV button to enter Hold REV button on 'My REV' page 	Use the switch knob to select different presets: OFF/MODERN/CONCERT/LIVE/CLASSIC/K-OK Press the REV button to toggle between the following items and use the switch knob to adjust: <ul style="list-style-type: none"> · TYPE · TONE · SPACE · BLEND
IR		Press LOGO button to enter the IR setting. Use switch knob to select different IR presets: <ul style="list-style-type: none"> · RBN : Based on a ribbon microphone · DYN : Based on a dynamic microphone When IR is enabled, the microphone light will turn blue.
Loopback		Press LOGO button to enter the loopback setting. Use switch knob to control the loopback on/off by switch. *If you intend to perform multi-track recording, it is recommended to turn it off.
Default Settings		While in the home screen, hold switch knob and LOGO button for five seconds to return to default settings.
Microphone mute		Hold LOGO button to mute the microphone. When the microphone is muted, the microphone light will flash. *Only the (microphone) audio will be muted, and it won't affect other input sources.

Safety Precautions

1. Please thoroughly read the quickstart guide and keep it for reference.
2. Avoid direct contact with liquids and use the product in a dry, well-ventilated environment.
3. Use accessories and cables provided by the manufacturer.
4. Control headphone volume appropriately to prevent any hearing damage.
5. Do not attempt to disassemble the device. Please contact customer service when encounter any issues.
6. Adjust cables and placement appropriately to prevent any accident.
7. Keep the product out of reach of children.
8. Serial number are local on the bottom of the products for reference.