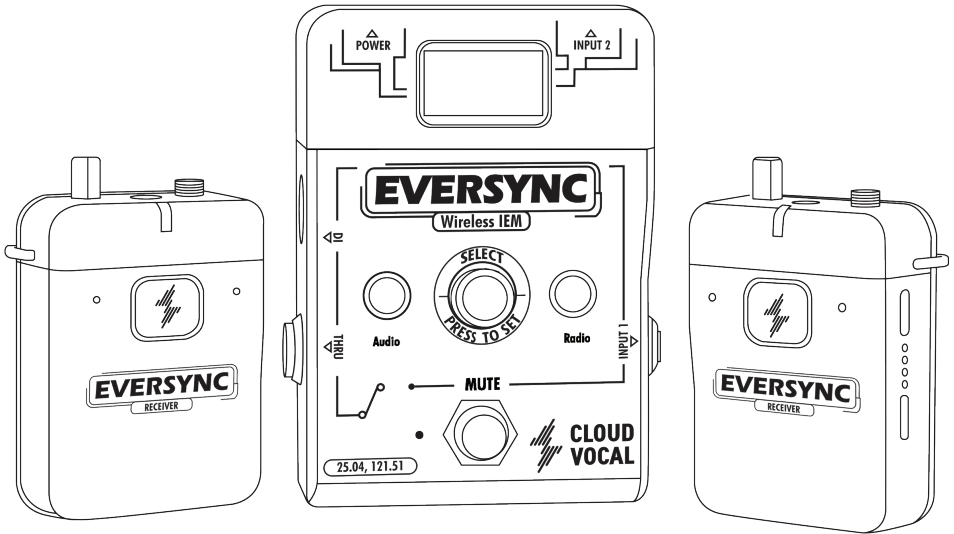




**CLOUDVOCAL**



## EverSync Wireless IEM

# Product Manual

## 線上支援頁面

了解更多本產品的常見問題以及使用指南



# 目錄

目錄	1
警語	2
注意	3
保固	3
關於本產品	3
系統接線圖	4
ES-10T 發射器	6
結構名稱與功能說明	7
ES-10R 接收器	8
結構名稱與功能說明	8
螢幕顯示與控制_ES-10T 發射器	10
開機	10
主畫面	10
無線功能選單	10
無線功能選單一、啟動配對	10
無線功能選單二、調整無線頻道	11
音訊功能選單	11
音訊功能選單一、調整輸入音訊1的訊號強度	11
音訊功能選單二、調整輸入音訊2的訊號強度	12
音訊功能選單三、設定有線輸出	12
燈號顯示與控制_ES-10R接收器	13
開機	13
關機	13
與ES-10T發射器進行配對	13
調整音量	13
音量限制開關	13
USB Audio 錄音錄影	13

## 警語

- 本產品使用精密機械與電子零件製成，暴露在雨水、濕氣以及液體的環境中，可能會造成電子線路的腐蝕，引發觸電或火災。為防止火災或觸電危險，請在乾燥的環境下使用產品。
- 如果產品有明顯毀損跡象，請聯繫購買通路或客服人員協助，避免嘗試自我修復。
- 使用的電源線、充電線請依照說明書指示的規格使用，避免電路故障導致延伸災害。

為避免長期暴露在高音壓環境導致聽力受損，請在使用產品時特別注意音量設定，並依照說明書的建議操作，如有任何不適應該先立即停止使用並尋求專業協助。在音量設定上，建議盡可能降低音量以及避免長時間使用，以保護聽力健康，預防造成永久性的聽力受損。

**以下是多數國家基於保護聽力所訂定的音壓強度與對應容許暴露時間的參考資訊：**

最大音壓	容許暴露時間
85dB(A) SPL	8小時
88dB(A) SPL	4小時
91dB(A) SPL	2小時
94dB(A) SPL	1小時
97dB(A) SPL	30分鐘
100dB(A) SPL	15分鐘
120dB(A) SPL	應避免，否則極有可能發生立即性的聽力損害

**如使用過程前、中、後有任何耳朵不適、耳鳴等情形，請立即停止使用。**



## 注意

- 請勿將液體潑濺於產品。
- 請勿自行打開機殼進行檢修，以免發生觸電危險。
- 請勿將產品放置於火焰、陽光等...高溫環境中。
- 請勿強力碰撞產品。
- 請勿將產品放置於密閉空間使用，例如櫥櫃或是其他地方。
- 為避免緊急情況發生，請將產品放在供電裝置的附近，以便需要時能夠快速拔掉供電插頭。
- 為避免發生事故或是出現產品著火狀況，請將本產品遠離火源使用。
- 若產品發生故障需要維修檢測，請送回雲聲原廠處。
- 本產品不適合孩童使用，請將產品放置於孩童無法取得之處。
- 請在良好通風環境使用產品。
- 標示訊息請見產品背面。

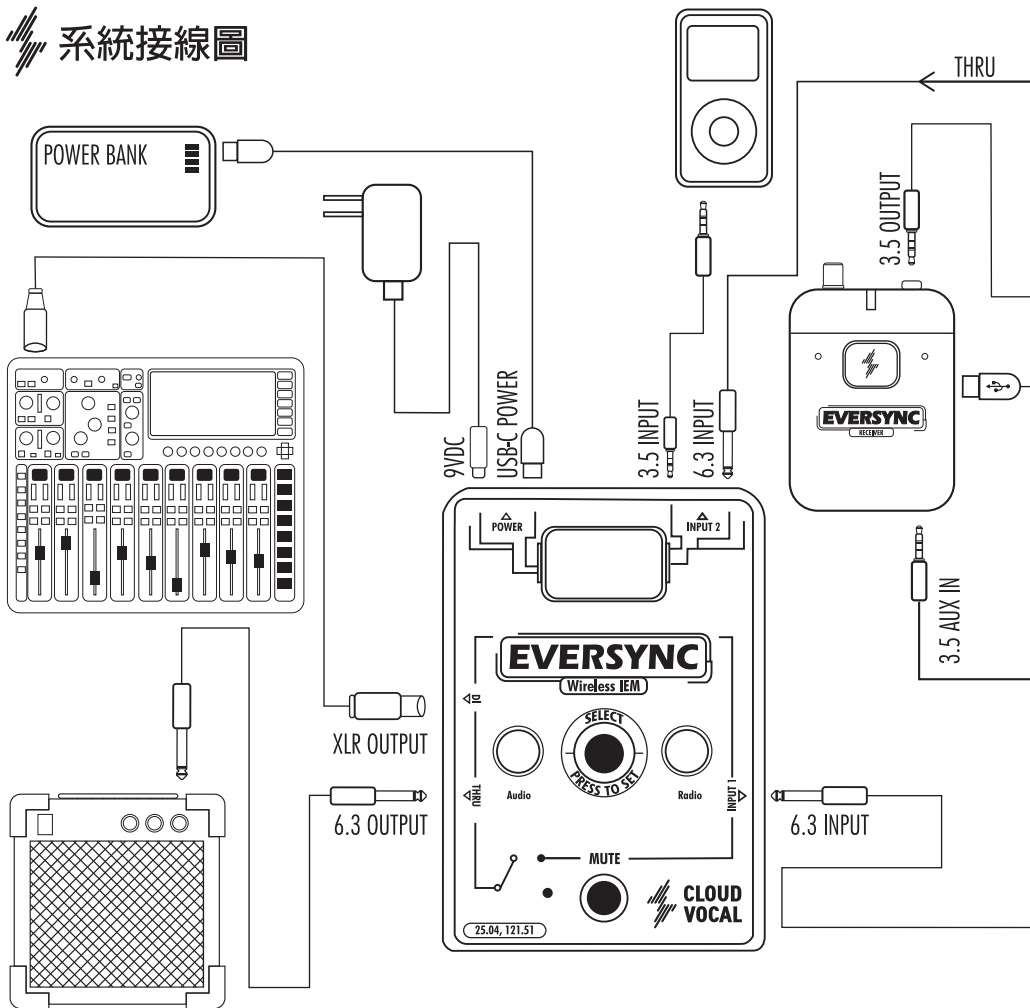
## 保固

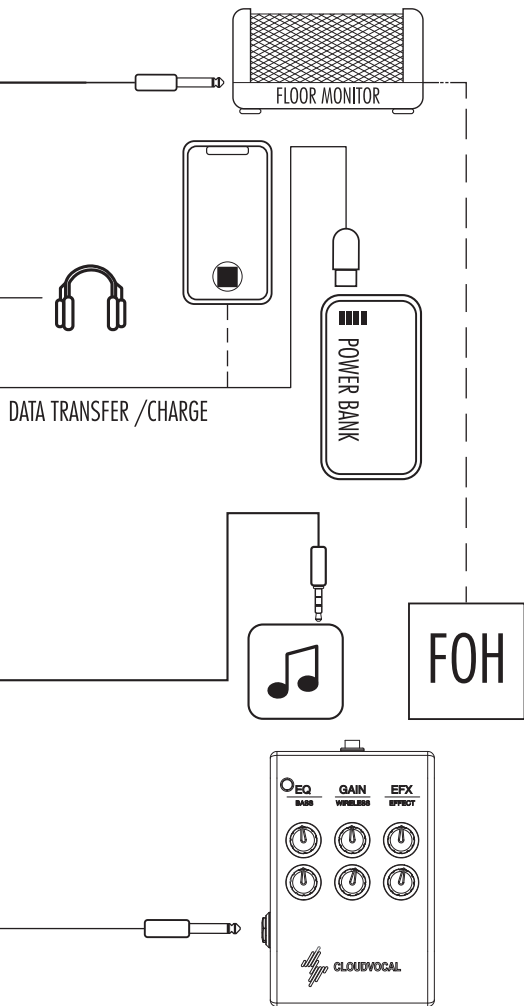
- 產品序號登入即啟用保固，若未完成保固登入且無法提供購買證明，將會以產品出廠日期作為保固時間認定，更多保固相關細項請洽官網說明。
- 若發生非人為的產品故障與瑕疵，保固期間內雲聲將提供免費維修或替換整新品的服務，搭配活動所附贈之隨機贈品恕不在保固範圍內。非電子類的配件若有功能不良或發現瑕疵，請於購買七日內聯繫雲聲客服人員，逾期則恕不受理。
- 以下情況導致的產品損壞視為人為造成，恕不在保固範圍內。包含但不限於：不恰當的安裝、操作、清潔、維修、意外事故、損壞、誤用、濫用、自然磨損或其他非本公司控制範圍內的事務、行為或疏忽所造成的故障。

## 關於本產品

EverSync 無線監聽系統主要由 ES-10T 發射器與 ES-10R 接收器組成。以 5.8GHz 的無線頻段進行訊號傳輸，讓演奏者可以獲得即時、清晰的監聽音訊。無線的訊號配對，採用一對多的廣播方式，使同一台 ES-10T 發射器可以同時將訊號傳到多台 ES-10R 接收器。透過各種輸入/輸出端子的搭配設計，EverSync 系統擁有極大的使用彈性。無論是放置在音控台旁，或是串接不同演出設備，使用者都能在各種情境獲得最便利的使用。

# 系統接線圖





### EverSync 無線監聽系統規格

無線類型	5.8GHz
取樣率	24bit/48KHz
延遲	5ms
頻率響應	20赫茲-2萬赫茲
頻道數量	4個頻道
使用距離	30公尺 <small>*直線距離無干擾</small>

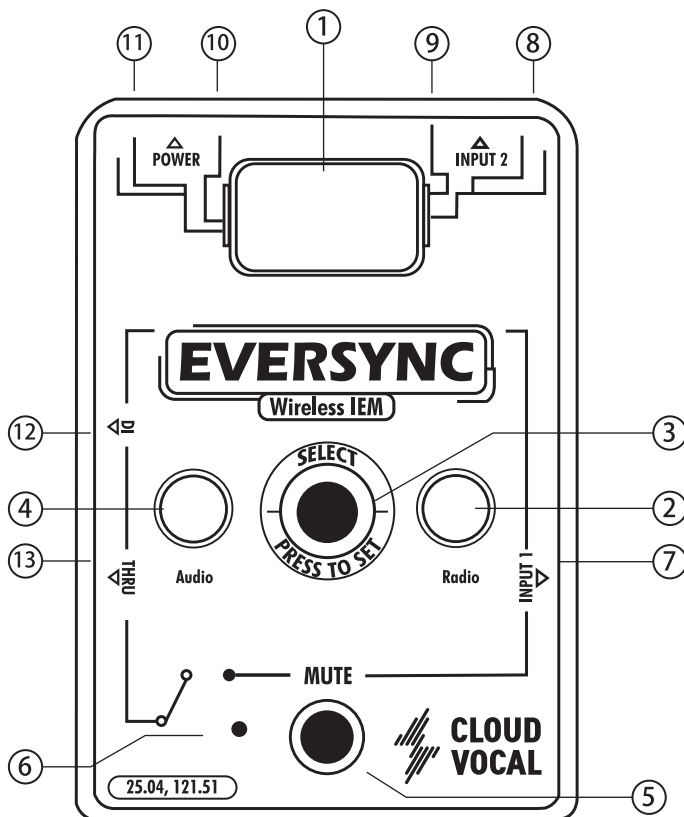
### ES-10T 發射器

尺寸	238g
淨重	107*76*46mm
電源供應	USB-C / DC 9V 100mA
輸入訊號接口	6.3 mm TS x 2 3.5mm TRS x 1
輸出訊號接口	平衡輸出: XLR x 1 非平衡輸出: TS x 1

### ES-10R 接收器

尺寸	65g
淨重	75*50*23mm
輸入	3.5mm x 1
輸出	3.5mm, 最大功率 100mW
總諧波失真	0.29%, @1KHz
電池類型	充電鋰電池。充電時間約2.5小時
使用時間	8 小時

# ES-10T 發射器



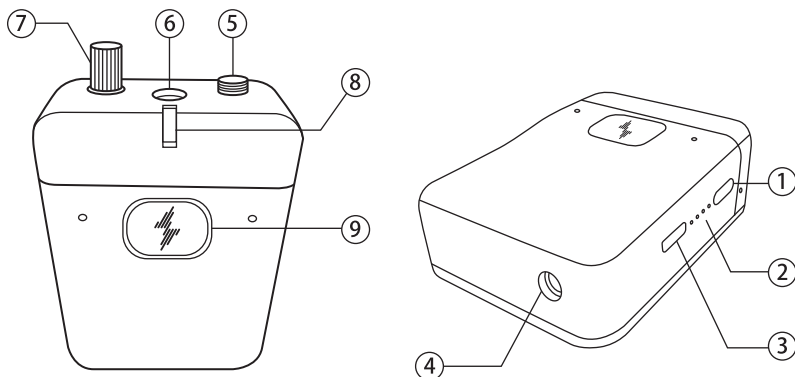
# ES-10T 發射器

## 結構名稱與功能說明

結構名稱	功能說明
1.OLED 螢幕	顯示 ES-10T 發射器的狀態與控制選項
2.無線功能選單鈕	切換無線功能
3.主功能鈕	無線與音訊功能的瀏覽和設定
4.音訊功能選單鈕	切換音訊功能
5.靜音開關	控制DI/THRU輸出音訊靜音開關
6.靜音/配對指示燈	靜音：紅燈恆亮，靜音解除時藍燈恆亮。 配對：藍燈快速閃爍。
7.輸入音訊1	6.3mm TS連接輸入音訊
8.輸入音訊2	6.3mm TS連接輸入音訊
9.輸入音訊2	3.5mm TRS連接輸入音訊
10.USB-C電源孔	標準 USB-C 供電
11.直流電源孔	直流 9 伏特，外正內負變壓器供電
12.DI輸出	XLR 平衡訊號輸出
13.THRU輸出	6.3mm TS 輸出

# ES-10R 接收器

## 結構名稱與功能說明



結構名稱	功能說明
① 電源開關鍵	控制ES-10R接收器的開關機，以及確認電池剩餘電量 長按 3 秒：開啟或關閉ES-10R接收器 開機狀態短按一次：顯示電池剩餘電量
② 電量指示燈	四顆同時閃爍：電量在75%以上 三顆同時閃爍：電量在74%~51%之間 二顆同時閃爍：電量在50%~26%之間 一顆閃爍：電量在25%以下

結構名稱	功能說明
③ USB 充電與錄音孔	<ul style="list-style-type: none"> <li>· 充電:使用 USB-C 傳輸線充電,電量指示燈以循環亮燈方式顯示充電的狀態。</li> <li>· 錄音/錄影: 使用USB-C傳輸線連接支援USB Audio的裝置進行錄音錄影。</li> </ul> <p>*請使用原廠提供之傳輸線進行充電與錄音錄影</p>
④ Aux-in 外接音訊孔	3.5mm TRS連接輸入音訊,音訊大小由播放裝置調整。
⑤ 3.5 mm 耳機接孔	3.5mm TRS 連接耳機
⑥ 配對鍵	<p>控制 ES-10R 接收器的配對功能。</p> <p>當ES-10T 發射器開啟配對模式時,將 ES-10R 接收器靠近ES-10T 發射器並按壓配對鍵進行配對。</p>
⑦ 耳機音量鈕	控制耳機輸出音量,使用前請先確認旋鈕位置,避免使用過大音量。
⑧ 主顯示燈	<ul style="list-style-type: none"> <li>· 藍色:音量限制未啟動</li> <li>· 閃爍:開機但尚未配對</li> <li>· 恆亮:與發射器完成配對</li> <li>· 綠色:音量限制啟動</li> <li>· 閃爍:開機但尚未配對</li> <li>· 恆亮:與發射器完成配對</li> <li>· 紫紅色:成功連接USB Audio裝置</li> <li>· 閃爍:開機但尚未配對</li> <li>· 恆亮:與發射器完成配對</li> </ul>
⑨ 音量限制開關	<p>長按進行切換,主顯示燈以不同顏色顯示設定狀態</p> <p>*音量限制啟動時,會將輸出音量上限控制在世界衛生組織的建議範圍內</p>

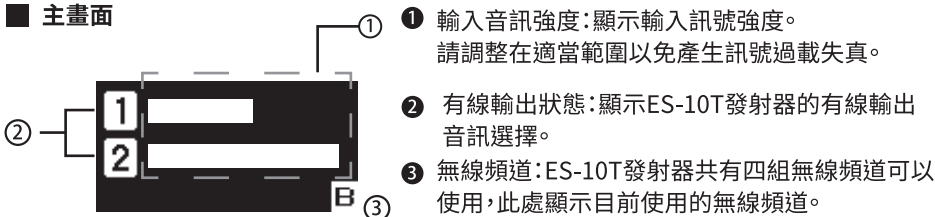
# 螢幕顯示與控制\_ES-10T 發射器



## ■ 開機

透過 9V 直流電源變壓器或者是 USB 電源啟動 ES-10T 發射器。順利供電時螢幕將顯示 Cloudvocal logo 閃爍開機動畫，動畫結束即代表完成開機。

## ■ 主畫面



若需返回主畫面，可同時按壓無線功能選單鈕(Radio)和音訊功能選單鈕(Audio)，三分鐘內沒有進行功能設定也將自動返回主畫面。

## ■ 無線功能選單

按壓無線功能選單鈕(Radio)切換無線功能，旋轉和按壓主功能鈕進行設定。

### • 無線功能選單一、啟動配對



EverSync 系統中，ES-10R 接收器與 ES-10T 發射器需要完成配對才能接收音訊。  
一組 ES-10T 發射器可以同時配對多組 ES-10R 接收器。

1. 按下無線功能選單鈕(Radio)進入配對畫面。
2. 按下主功能鈕開啟配對模式，此時PAIRING動畫出現，配對指示燈快速閃爍藍燈。
3. 將ES-10R接收器靠近發射器，按下接收器配對鍵。
4. 當ES-10R接收器主顯示燈恆亮即完成配對。



## ● 無線功能選單二、調整無線頻道



同時使用多組 ES-10T 發射器時，使用者需要將每台 ES-10T 發射器分別設定在不同無線頻道，避免發射器之間相互干擾。  
同一空間最多同時使用四組 ES-10T 發射器



1. 按下無線功能選單鈕(Radio)進入調整無線頻道畫面。
2. 旋轉主功能鈕切換A/B/C/D不同無線頻道，切換頻道時選擇框會以空心方式呈現。
3. 選定頻道後按下主功能鈕，選擇框會變成實心圖示，代表已經完成頻道設定。

## ■ 音訊功能選單

按壓音訊功能選單鈕(Audio)切換音訊功能，旋轉和按壓主功能鈕進行設定。

### ● 音訊功能選單一、調整輸入音訊 1 的訊號強度

為提供舒適的監聽體驗，使用者可以自行調整監聽訊號強度。請將訊號強度調整在適當範圍以免產生訊號過載失真。



- 1.1 按下音訊功能選單鈕(Audio)進入調整輸入音訊1的畫面。
- 1.2 旋轉主功能鈕調整輸入音訊1的訊號強度，調整過程中螢幕左側會以數字顯示目前的參數設定。



2. 確認訊號強度後，按下主功能鈕，畫面將以反白的方式顯示已儲存設定。



\*注意：若該訊號孔沒有任何訊號輸入時，則畫面會顯示 NULL 且無法進行任何調整

## ● 音訊功能選單二、調整輸入音訊 2 的訊號強度

為提供舒適的監聽體驗，使用者可以自行調整監聽訊號強度。請將訊號強度調整在適當範圍以免產生訊號過載失真。



- 1.1 按下音訊功能選單鈕(Audio)進入調整輸入音訊2畫面。
- 1.2 旋轉主功能鈕調整輸入音訊2的訊號強度，調整過程中螢幕左側會以數字顯示目前的參數設定。



2. 確認訊號強度後，按下主功能鈕，畫面將以反白的方式顯示已儲存設定。



\*注意：若該訊號孔沒有任何訊號輸入時，則畫面會顯示 NULL 且無法進行任何調整

## ● 音訊功能選單三、設定有線輸出

ES-10T 發射器可將輸入訊號轉為DI(XLR平衡訊號)或是THRU(6.3mmTS)輸出，並在音訊功能選單鈕(Audio)切換：

- 輸入音訊1
- 輸入音訊1+輸入音訊2

操作方式：

1. 按下音訊功能選單鈕(Audio)進入選擇輸出畫面
2. 旋轉主功能鈕，選擇想要輸出的訊源
3. 確認後，將主功能鈕往下壓，螢幕圖示以實心方式呈現即代表儲存當下的設定



# 燈號顯示與控制\_ES-10R 接收器

## ■ 開機：

長按電源鍵 3 秒啟動 ES-10R 接收器，開機後可以看見主顯示燈閃爍。

## ■ 關機：

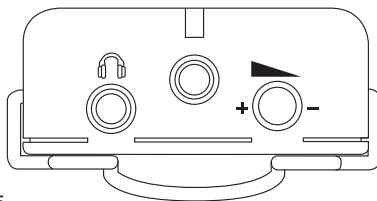
ES-10R 接收器開機狀態下，長按電源鍵 3 秒就能關閉電源。

關機後主顯示燈熄滅不再閃爍。

## ■ 與 ES-10T 發射器進行配對：

在進行配對之前，請先確認以下事項：

1. 耳機線正確連接。
2. 耳機音量預先調小，避免突然產生的大音量造成聽力損害與意外。



1. 按下無線功能選單鈕(Radio)進入配對畫面。
2. 按下主功能鈕開啟配對模式，此時PAIRING動畫出現，配對指示燈快速閃爍。
3. 將開機的ES-10R接收器靠近ES-10T發射器，並且按下ES-10R接收器的配對鍵。
4. 當ES-10R接收器主顯示燈恆亮即完成配對。

## ■ 調整音量：

當配對完成後，可透過旋轉耳機音量鈕來控制收聽的音量大小。請注意在使用過程中的音量設定，聆聽過大音量可能會造成聽力受損。

## ■ 音量限制開關：

ES-10R接收器共有兩種耳機音量輸出，提供使用者自行選擇。在接收器開啟時，長按音量限制開關3秒即可進行切換，接收器將以主顯示燈表示目前的狀態。

藍色：音量限制未啟動，以最大功率輸出。

綠色：音量限制已啟動，將耳機音量輸出控制在世界衛生組織的建議範圍內。

## ■ USB Audio錄音錄影

請使用原廠提供之傳輸線進行錄音錄影，詳細操作細節請洽官網說明。

# Online Support Page

Scan to access for our FAQ page and multilingual manual



## Table of Contents

Contents .....	0
Warning and Caution .....	1
Warranty .....	3
About this product .....	3
Connections diagram .....	4
ES-10T Transmitter .....	6
Components and functions .....	7
ES-10R Receiver .....	8
Components and functions .....	9
Using ES-10T transmitter .....	10
Powering on .....	10
Home Menu .....	10
Radio Functions .....	10

Radio Function 1: Wireless Pairing .....	10
Radio Function 2: Changing Channels .....	11
Audio Functions .....	11
Audio Function 1: Adjust Input 1 .....	11
Audio Function 2: Adjust Input 2 .....	12
Audio Function 3: Selecting Output Source .....	12
Using the ES-10R Receiver .....	13
Powering On .....	13
Powering Off .....	13
Pairing with ES-10T transmitter .....	13
Adjusting headphone volume .....	13
Volume limiter .....	13
USB Audio recording .....	13

## **Warning**

- This product is made of electronic parts. Please avoid exposure to liquid or moisture that may result in corrosion or cause fire or electric shock.
- If there is obvious damage to the product, please contact the customer service of local dealers, and DO NOT attempt to repair it on your own.
- Only use power cables with the official suggested specs to avoid electric shock and circuit damage.
- To avoid hearing damage, please follow instructions and beware of excessive sound pressure. If experiencing discomfort, STOP using immediately and seek medical treatment. Use appropriate listening levels and prevent extended use with higher listening levels to prevent hearing damage.

**Most national safety and health administrations have established guidelines for the maximum time being exposed to sound pressure levels before hearing damage occurs.**

Max SPL:	Max Exposure Time:
85dB(A) SPL	8 hours
88dB(A) SPL	4 hours
91dB(A) SPL	2 hours
94dB(A) SPL	1 hour
97dB(A) SPL	30 minutes
100dB(A) SPL	15 minutes
120dB(A) SPL	Avoid exposure. Hearing damage may occur.

**STOP using if you experience discomfort at any moment.**

## **Caution**

- Please avoid exposure of the product to liquids.
- To avoid electric shock, do not disassemble the product by yourself.
- Do not expose the product to temperature extremes.
- Avoid any strong impact on the product.
- Do not use in a poorly ventilated location.
- This product should be located close enough to the AC outlet so that you can easily grasp the AC adapter at any time

- To prevent fire, do not use this product close to any flame.
- Please contact customer service for product repair.
- Keep out of reach of samll children.
- Please use this product in a well-ventilated environment.
- The serial number label is on the rear side

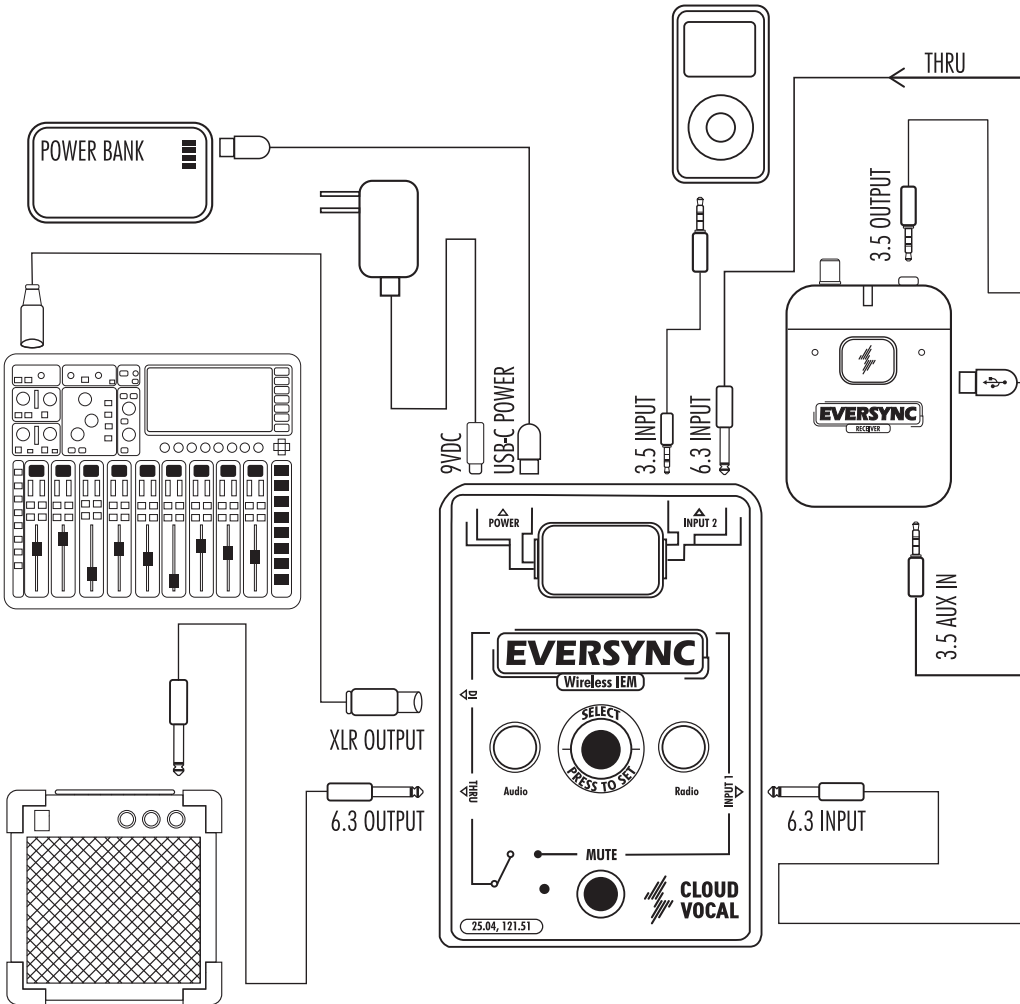
## **Warranty**

- The warranty starts after online registration. For products that have not been registered, the warranty starts from the date of production. Please check our official site for full instructions.
- During the warranty , Cloudvocal will be responsible for defects and malfunction, except for the damage due to abuse and misuse. Please be noted that giveaway goods are excluded. Please contact us if the accessories are missing or defective within 7 days of your purchase.
- The warranty DOES NOT cover improper maintenance, disassembly, abrasion,use other than that it was intended for, units that have been repaired or had an attempted repair made to it by unauthorized personnel, damage due to incorrect connection,to faulty equipment or connection to faulty or incorrect power supplies and damage in transit as a result of inadequate packaging or protection.

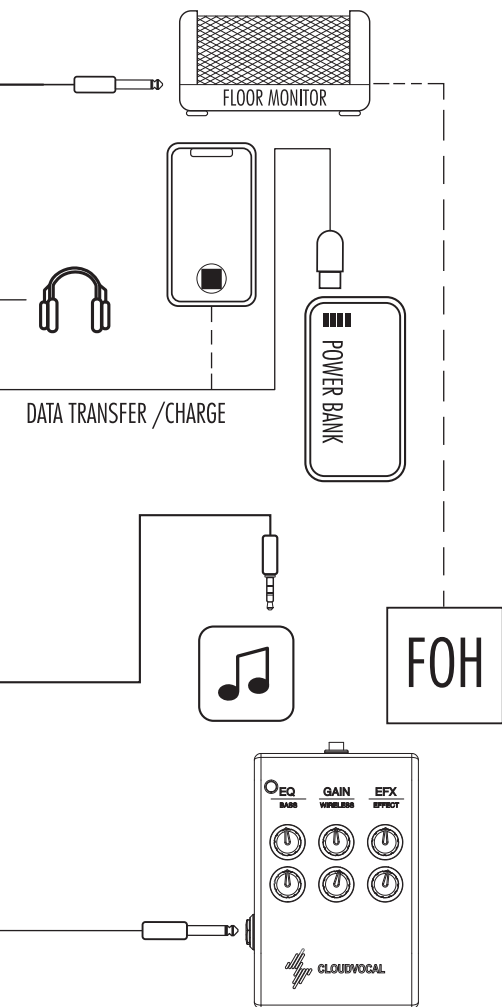
## **About this product**

EverSync wireless IEM consists of the ES-10T transmitter and ES-10R receivers running on 5.8GHz wireless band. The system gives clear monitoring to players on stage with the lowest latency. The wireless broadcasting design allows ES-10T to transmit to multiple ES-10R receivers. With multiple input and output, EverSync could adapt to different venues and scenarios in the most convenient way.

# Connections Diagram





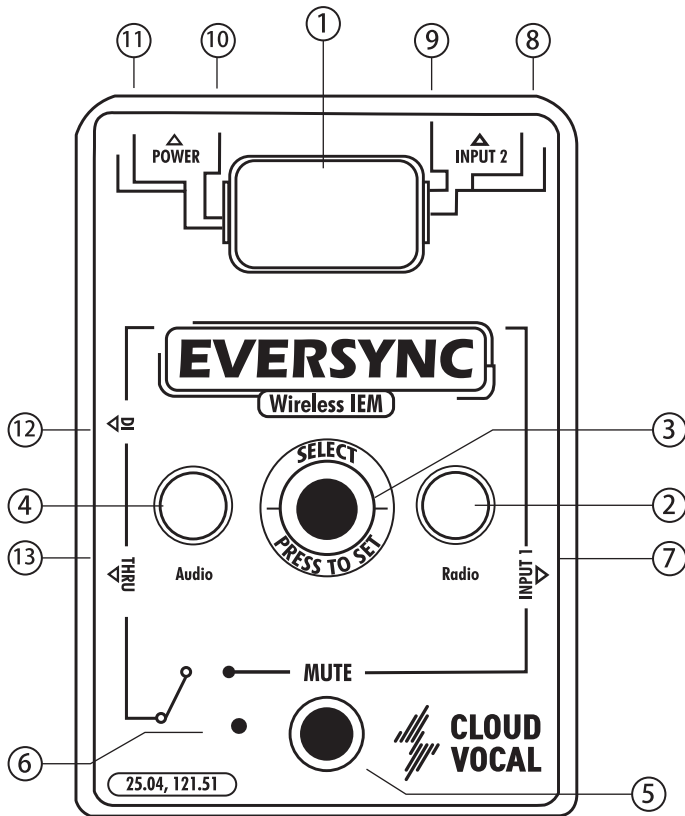


EverSync wireless IEM specs	
Wireless frequency	5.8GHz
Sampling rate	24bit/48KHz
Latency	5ms
Frequency	20 Hz-20KHz
Total channels	4 channels
Working distance	30m or 100 ft *line of sight

ES-10T transmitter	
Dimension	238g
Net weight	107*76*46mm
Power Supply	USB-C / DC 9V 100mA
Inputs	6.3 mm TS x 2 3.5mm TRS x 1
Outputs	Balanced:XLR x 1 Unbalanced: TS x 1

ES-10R receiver	
Dimension	65g
Net Weight	75*50*23mm
Inputs	3.5mm x 1
Output	3.5mm, maximum output 100mW
THD	0.29%, @1KHz
Battery type	Rechargeable lithium battery, 2.5 hours for full charging.
Battery life	8 hours

# ES-10T transmitter



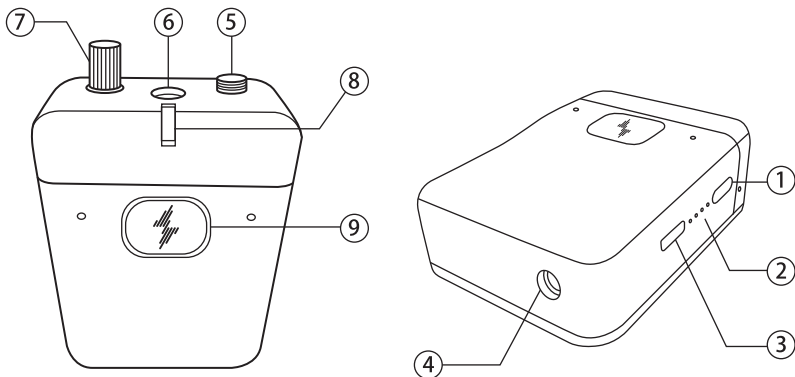
# ES-10T transmitter

## Components and functions

Components	Function description
1.OLED screen	Displays the status and control of the transmitter
2. Radio function key	Switch radio functions
3.Main function key	Browse and set value for radio and audio functions.
4.Audio function key	Switch audio functions
5.Mute switch	mute or unmute the DI/THRU output
6.Mute/Pairing indicator	Mute: Constantly red; Unmute: Constantly blue. Pairing: Flashing blue
7.Input 1	6.3mm TS input
8.Input 2	6.3mm TS input
9.Input 2	3.5mm TRS input
10.USB-C power socket	Standard USB-C power supply
11.DC power socket	DC 9V, center negative power supply
12.DI output	XLR balanced out
13.THRU output	6.3mm TS output

# ES-10R receiver

## Components and functions



Components	Function
① Power button	Control the power on/off and check the battery status. Long press for 3s: Turn on/off the receiver Short click (while power is on): Check battery status
② Battery indicator	4 lights: 75% or more 3 lights: 51%~74% 2 lights: 26%~50% 1 light: below 25%

Components	Function
③ USB charging and data port	<ul style="list-style-type: none"> <li>· Charging: Use USB-C connector to charge. The battery indicator will show the charging status.</li> <li>· USB audio: Use a USB-C connector cable to devices that support USB audio to record.</li> </ul> <p><b>*Please use the official connector.</b></p>
④ Aux-in input	<p>Input through a 3.5mm TRS connection.</p> <p><b>*Set levels by adjust the volume on the output of the connected device.</b></p>
⑤ 3.5mm headphone jack	<p>Connect to 3.5mm headphones</p>
⑥ Pairing button	<p>Press to pair the receiver to the transmitter. When ES-10T is in pairing mode, place the receiver nearby and press the pairing button to complete the pairing.</p>
⑦ Headphone volume	<p>Controls the volume. Please check the volume status before use to avoid injury due to excessive volume.</p>
⑧ Status indicator	<ul style="list-style-type: none"> <li>· Blue: Full output mode activated and paired</li> <li>· Flashing: Not paired to the transmitter</li> <li>· Green: Volume limitation mode activated and paired</li> <li>· Flashing: Not paired to the transmitter</li> <li>· Purple: Connected to a USB device and paired</li> <li>· Flashing: Not paired to the transmitter</li> </ul>
⑨ Volume limiter	<p>Press and hold to turn the volume limiter on and off. The status indicator will change color accordingly.</p> <p><b>*When volume limiter is activated, the maximum headphone output will be limited under the level recommended by the World Health Organization.</b></p>

# Using the ES-10T transmitter



CLOUDVOCAL

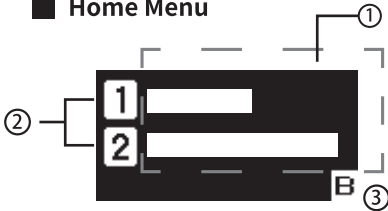


CLOUDVOCAL

## Powering on

Either use a DC adapter or USB-C power to power the transmitter. The screen will show the logo animation and will show the home screen after the animation.

## Home Menu



- ① Signal level: indicates the signal level of each input. Please adjust accordingly to avoid clipping.
- ② Output selection: indicates the wired output status of the transmitter.
- ③ Wireless channels: There are 4 separate channels available. Displays the channel in use.

**Press both the radio and audio function keys together to return to the home screen. Also, it will return to the home screen if no actions are taken in 3 minutes.**

## Radio functions

Press the radio function key to select different radio functions. Rotate the main function key to select or adjust and press to save settings.

### • Radio function: Wireless Pairing



ES-10R receivers must pair to ES-10T transmitters to receive signal. Each transmitter can pair with multiple receivers.

1. Press the radio function key to go to the pairing screen
2. Press the main function key. The pairing animation starts and the pairing indicator flashes.
3. Place the ES-10R receiver close to the transmitter, press the pairing button.
4. When the status indicator becomes a solid color, the pairing is completed.

## • Radio function: Changing Channels



When more than 2 ES-10T transmitters are in use, they must be set to different channels to avoid interfering with each other.

**There can be up to 4 transmitters working simultaneously.**



1. Press the radio function key to go to wireless channels screen
2. Rotate the main function key to select channels. A frame will appear on the selected channel.
3. Press the main function key to save the setting, and the frame will turn into solid.

## ■ Audio functions

Press the audio function key to go to different audio functions. Rotate the main function key to select or adjust, and press to save settings.

### • Audio function: Adjust input 1

For the best result, please adjust the input gain for each input to have level while avoiding clipping.



- 1.1 Press the audio function key to go to adjust input 1 screen
- 1.2 Rotate the main function key to adjust the signal level. A number on the left side of the screen will indicate the current setting.



- 2.2. Press the main function key to save settings. The frame will turn solid after the settings are saved.



**\*\*note: If there is no input source, there will only be "NULL" and no adjustment will be possible.**

### • Audio function: Adjust input 2

For the best results, please adjust the input gain for each input to have a strong level while avoiding clipping.



- 1.1 Press the audio function key to go to adjust input 2 screen
- 1.2 Rotate the main function key to adjust the signal level.  
A number on the left side of the screen will indicate the current setting.



2. Press the main function key to save settings.  
The frame will turn solid after the settings are saved.



\*note: If there is no input source, there will only be "NULL" and no adjustment will be possible.

### • Audio function: Selecting Output Source

The ES-10T transmitter can send a DI thru of either of the inputs via balanced or unbalanced cable. Users can choose which inputs will be sent to the thru output by the device:

- input 1 only
- input 1 + input 2

Instructions:

1. Press the audio function key to go to adjust the output screen
2. Rotate the main function key to select the source
3. Press the main function key to save settings. The frame will turn solid format after the settings are saved.





# Using the ES-10R receiver

## ■ **Powering on:**

Press and hold the power button for 3 seconds. The main indicator will begin flashing.

## ■ **Powering off:**

Press and hold the power button for 3 seconds when the power is on. The main indicator will turn off.

## ■ **Pairing With ES-10T transmitter :**

Please check the following before pairing:

① connect to headphones properly.

② Set to a safe low volume prevent accidental exposure to unsafe sound pressure level

1. Press the radio function key to go to the pairing screen

2. Press the main function key. The pairing animation starts and the pairing indicator flashes.

3. Place the ES-10R receiver close to the transmitter, press the pairing button.

4. When the status indicator becomes solid, the pairing is completed.

## ■ **Adjust headphone volume:**

After pairing, users can rotate this knob to adjust the volume in their headphones. Be conscious of the volume level to prevent hearing damage.

## ■ **Volume limiter:**

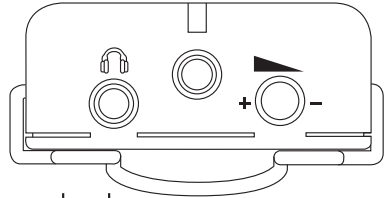
There are two optional headphone outputs. Users can switch to each mode by pressing and holding the volume limiter for 3 seconds. The status indicator will change its color to show the current status.

Blue: Volume limiter not activated, full volume output

Green: Volume limiter activated, restricts the output under the suggested level by the World Health Organization.

## ■ **USB audio recording**

Please use the official connector cable to ensure compatibility. Check our website for detailed instructions.





若需要更多產品協助  
請洽雲聲官方LINE: @tts8521n

If you need further assistance with product  
please contact: [service@cloudvocal.com](mailto:service@cloudvocal.com).

---