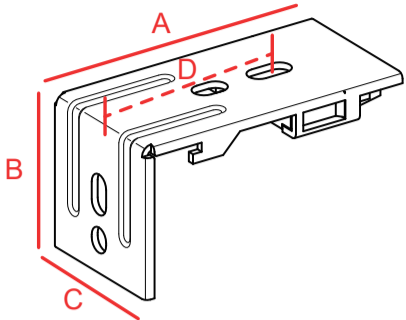
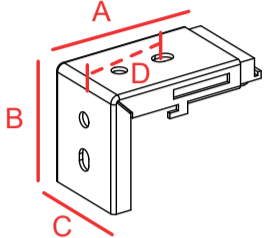
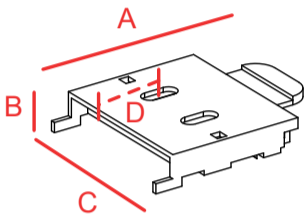
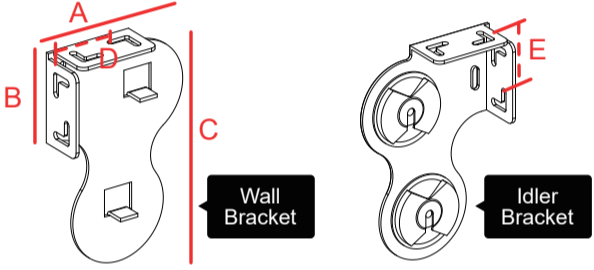
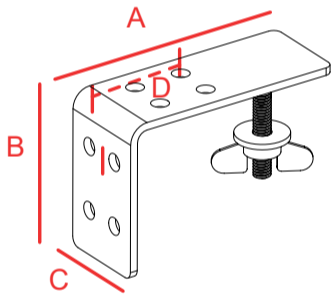
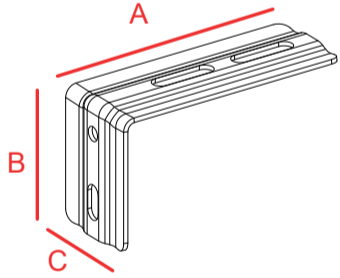
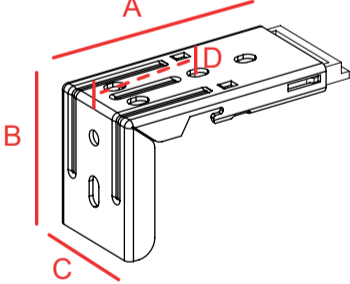
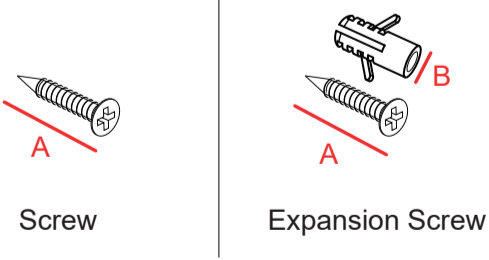
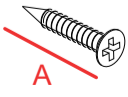


# Mounting Brackets Specifications

\* Allowable error tolerance exists for manual measurement.

Brackets Type	Brackets Wireframes	Specification
<b>Standard Bracket</b> (Roller Blinds)		(A)= $2\frac{7}{16}$ " (A)=56.2mm (B)= $1\frac{1}{8}$ " (B)=30mm (C)= $1\frac{1}{16}$ " (C)=29mm (D)= $1\frac{11}{16}$ " (D)=43mm
<b>Bracket</b> (Honeycomb Blinds)		(A)= $1\frac{11}{16}$ " (A)=45.45mm (B)= $1\frac{5}{16}$ " (B)=32mm (C)= $1\frac{1}{16}$ " (C)=25mm (D)= $1\frac{1}{16}$ " (D)=25mm
<b>Bracket</b> (Outdoor Blinds)		(A)= $2\frac{3}{16}$ " (A)=56.2mm (B)= $\frac{3}{8}$ " (B)=9.5mm (C)= $1\frac{7}{8}$ " (C)=45.75mm (D)= $\frac{3}{4}$ " (D)=19mm
<b>Bracket</b> (Dual Roller Blinds)		(A)= $3\frac{7}{8}$ " (A)=99mm (B)= $2\frac{5}{16}$ " (B)=59mm (C)= $5\frac{13}{16}$ " (C)=148mm (D)= $1\frac{5}{8}$ " (D)=41mm (E)= $1\frac{5}{8}$ " (E)=41mm
<b>Bracket</b> (Woven woods)		(A)= $2\frac{1}{2}$ " (A)=64mm (B)= $1\frac{3}{4}$ " (B)=44mm (C)=1" (C)=26mm (D)= $1\frac{3}{16}$ " (D)=30mm
<b>Extension Bracket</b>	 <ul style="list-style-type: none"> <li>• Windows with handles, and you want to choose blinds rollback rather than rollfront side.</li> <li>• Special shaped window frame.(eg: round shape window, side mounted.)</li> </ul>	(A)= $3\frac{3}{16}$ " (A)=80.1mm (B)= $1\frac{13}{16}$ " (B)=44.7mm (C)= $1\frac{1}{4}$ " (C)=32mm
<b>Bracket</b> (Square Cassette)		(A)= $2\frac{7}{8}$ " (A)=72.5mm (B)= $1\frac{9}{16}$ " (B)=40mm (C)= $1\frac{3}{8}$ " (C)=31mm (D)= $1\frac{3}{8}$ " (D)=32mm
<b>Standard Screw</b>		(A)= $3\frac{1}{32}$ " (A)=24mm (B)= $\frac{7}{32}$ " (B)=5mm
<b>Screw</b> (Remote)		(A)= $\frac{5}{8}$ " (A)=16mm