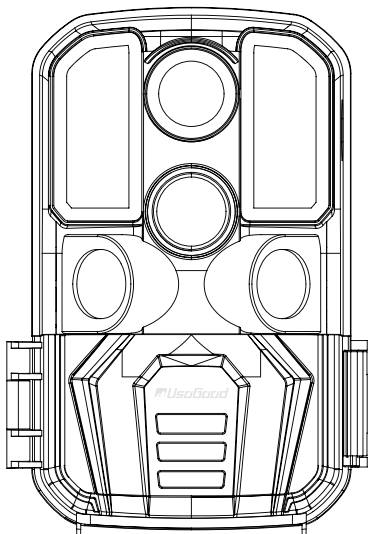


# DL501 Trail Camera

## User's Manual



 **UsaGood**

Wifi Hunting Camera with  
APP Remote

Dear Customer,

We are truly grateful that you have chosen us as your best product dealer. You are one of our most highly valued customers. It is our pleasure to have the opportunity to serve you.

Speaking on behalf of the company, we hope you can enjoy the fantastic quality of our products and services. We will try our best to meet your requirements and expectations.

Usogood has always been committed to creating high-quality products and bringing 100% satisfactory service to our beloved customers. We value the precious feedback of every customer.

At the same time, we provide each customer with a 12-month guarantee period. During this period, if there are any problems with the product, or if you have any questions, please feel free to contact us in any of the following ways.

Kind Regards,  
Usogood Team

 [www.usogood.co](http://www.usogood.co)

 [support@usogood.co](mailto:support@usogood.co)

 <https://www.facebook.com/usogoodoffice/>



Facebook group



Official website

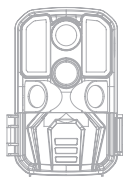
# CONTENTS

## **English** ..... **1-22**

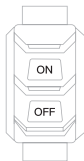
Packing List .....	1
Introduction.....	1
Appearance.....	2
Preparing the Camera .....	4
Using the Camera and Setup Menu.....	6
WIFI and APP .....	11
Mounting.....	15
Enter ON Mode .....	16
Technical .....	17
Simple Trouble Shooting .....	18

## Packing List

Please unpack the trail camera carefully and check that below accessories are contained in the box.



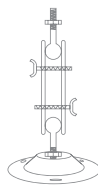
①



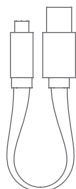
②



③



④



⑤



⑥



⑦

- ① Trail Camera X1
- ③ Mounting Belt X1
- ⑤ USB Cable X1
- ⑦ Instruction Manual X1

- ② Remote Control X1
- ④ Wall Mount X1
- ⑥ Screws X3

## Introduction

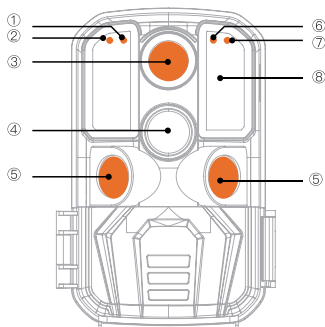
The trail camera can be used in many places. For example, using it for hunting, wildlife monitor, farm monitor and home security. The infrared sensor of the camera can detect the temperature change within the detection range to trigger the camera to take pictures or videos. The trail camera can be used in many places. For example, using it for hunting, wildlife monitor, farm monitor and home security.

The infrared sensor of the camera can detect the temperature change within the detection range to trigger the camera to take pictures or videos.

## Features of WIFI Trail Camera

1. Built-in wifi
2. 24MP photo and 1296P video resolution
3. 0.2s trigger speed
4. 6.6cm color TFT LCD (320x240 pixels)
5. 34Pcs 940nm no glow IR LEDs
6. 3 Sensors with 120° detection angle
7. IP66 Waterproof
8. Fully automatic IR filter
9. Mini USB 2.0 interface
10. Power indication
11. Password protection
12. Built-in microphone and speaker
13. Time, date, temperature, phase and Serial No.
14. SD card (up to 128GB)

## Appearance



① Light Indicator

③ Lens

⑤ Side PIR Sensor

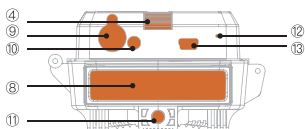
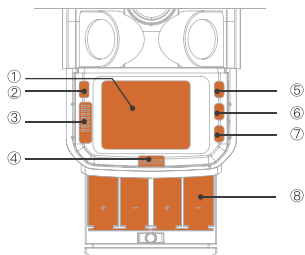
⑦ Main PIR Indicator

② Side PIR Indicator

④ Main PIR Sensor

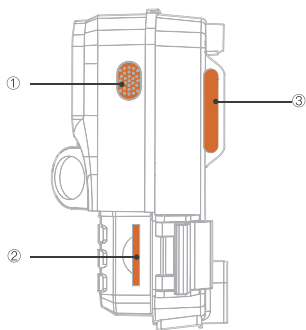
⑥ System Indicator

⑧ IR LED



- ① Screen
- ② 'MODE' Button
- ③ OFF/SETUP/ON
- ④ Battery Case Release
- ⑤ '↑' Button
- ⑥ 'OK' Button
- ⑦ '↓' Button

- ⑧ Battery Case
- ⑨ DC Power
- ⑩ AV Output
- ⑪ Mount Screw
- ⑫ Microphone
- ⑬ Mini USB



- ① Speaker
- ② SD Card Slot
- ③ Strap Slot



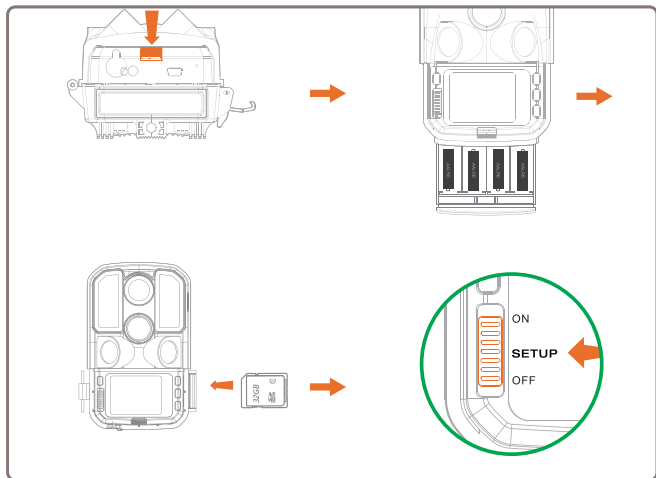
1. The monitor is only switched on in the 'SETUP' mode for changing menu settings or viewing photos and videos.
2. A SD memory card must have been inserted into the memory card slot to save photos and videos.
3. Using the mini USB connection (USB 2.0), the camera can be connected to a computer to download photos and videos.
4. Using the mode switch, the three operating modes: OFF, SETUP and ON can be selected.

## Preparing The Camera

### Note :



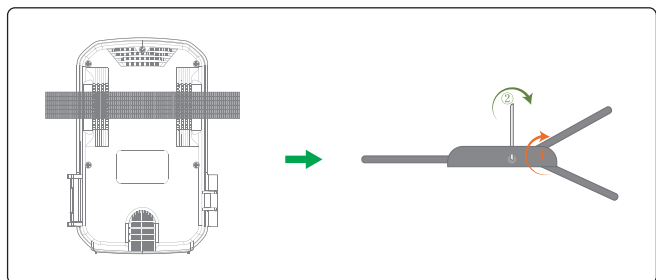
1. SD memory cards up to a capacity of 128 GB are supported.
2. For best using experience, we recommend using 8 alkaline batteries to power the camera, lithium-ion rechargeable batteries are not recommended because rechargeable batteries have lower voltage output and poor performance under low temperature.
3. The camera must be inserted 8 x 1.5V AA batteries. Do not use new and old batteries together. DC interface need 6V/1.5A adaptor with plug 3.5mm(outer diameter)\*1.35mm(inner diameter).
4. Insert CLASS 10 or higher class 128GB SD card (CLASS 10 is recommended). Prior to insert into memory card, ensure that the lateral write protection on the memory card is unlocked.
5. New memory card is recommended to be formatted when using (as below described).
6. Please note that the camera will power off when power is very low.



How to start:

1. Push the release button to release the battery case
2. Insert 8x brand new alkaline batteries
3. Install the battery case
4. Insert the SD card
5. Switch to 'SETUP' mode, setting the camera
6. Switch to 'ON' mode, camera start to work

### Assembly with Strap





## Using the Camera and Setup Menu

### Using the Camera

Main Keys	Functions
<b>Power Key</b>	Pull Switch: 1. OFF: Power off 2. SETUP: Setting and testing mode 3. ON: Working mode
<b>Mode Key</b>	1. Short press to switch back and forth between menus, taking photos, recording videos and playback. 2. In the submenu, short press to return to the previous menu.
<b>UP Key</b>	1. Select '↑' 2. Press '↑' to turn off the built-in WiFi
<b>OK</b>	1. In the video or photo taking interface, short press to shot. 2. Under the menu settings, short press to confirm as OK
<b>Down Key</b>	1. Select '↓' 2. In playback mode, long press the button to pop up the 'delete menu'
<b>Battery Case Release</b>	Press to release the battery case

#### Button 'OFF'

The camera is completely off, only in this mode, you can unplug the memory card, replace the batteries.

#### Button 'SETUP'

In this mode, the camera screen will open, you can manually record videos or take photos, and you can also view the recorded files or change the setting options according to your own reference. When the camera is in 'SETUP' mode, the PIR sensors are on, when they

are triggered, the PIR indicators LED will flash. But in this mode, the camera will not take photos or record video when the PIR sensors are triggered.

### **Button 'ON'**

When the camera is switched from 'SETUP' mode to 'ON' mode, it will enter standby with low power consumption, and the screen will turn off and the buttons will be disabled. The camera will respond to the PIR sensors only. It will turn on and take photos or record videos when the PIR sensor is triggered, then return to standby afterwards.

### **Button 'MODE'**

'Photo', 'video', 'photo+video' mode are available. Under the 'Photo+Video' mode, the camera first takes a set number of photos before recording a video.

### **Photo Resolution**

24MP/ 20MP / 16MP / 12MP/10MP /8MP / 5MP / 3MP / 2MP are available. The higher the resolution, the larger the space occupied on SD card.

### **Picture NO.**

You can choose the photo count to be taken when the camera get triggered. 1P/2P/3P are available.

### **Video Resolution**

1728\*1296P, 1920x1080P, 1280x720P, 720x480P, 640x480P are available. The higher the resolution, the larger the space occupied on SD card.

### **Universal Keys**

Press '↑' and '↓' button to adjust values, press 'OK' button to confirm change and switch to next digit, press 'MODE' button to exit the setting.

### **Video Length**

5s~180s available, default 5 seconds.

Select the duration of the video as needed. Please pay attention to that when recording manually in the Setup mode, the camera will stop recording after 29 minutes / the video size reaches 4GB / the

memory card is full / the battery is in low power.



**Notice:** The power consumption of 10s video recording is the same as 150 photos. Therefore please record the video according to the actual situation to extend battery life.

### **PIR Interval**

Photo Mode / Video Mode, 10" ~59'59" available for both of them. Select the interval as needed. After the selected interval, the camera is triggered and photographs only if an animal enters the detection range.

The camera doesn't take any photos or videos during the selected interval, which avoids unnecessary shootings.

The shorter the interval, the more frequently the camera shoots, and the faster the battery is consumed.

### **PIR Sensitivity**

High / Medium / Low available

Select the sensitivity according to the actual situation. For example, if the subject is a small animal, you need to choose high or medium sensitivity. The PIR sensor determines if there are animals by detecting the difference in temperature. The smaller the animal, the smaller the temperature difference.

### **IR LED**

Auto / Super Fine / Economy available

Select 'Auto', the camera will adjust the IR LED brightness automatically depending on the ambient light conditions.

Select 'Super Fine', the camera will maintain the brightest infrared light.

Select 'Economy', the camera will maintain the darkest infrared light.

### **Time Lapse**

On / Off available

Select 'On' and then set the time interval. After the time interval, the camera will take photos or videos automatically whether or not an animal is in the detection range.

For example, if the process of flowers blooming has to be recorded,

time lapse can be used. The camera automatically takes pictures after every set time intervals.

### **Monitoring Period**

Timer 1 Start / Timer 1 Stop, Timer 2 Start / Timer 2 Stop available  
Select 'On' and click 'OK' to confirm, then click ' ↓ ' to set the starting working and ending working time.

After completing the settings, the camera will only take pictures or videos during the selected working hours every day. Beyond the period, the camera will be on standby.

For example, if the start time is set to 18:35 and the end time to 8:25, the camera will be operational from 6:35 pm of the current day until 8:25 am of the following day. During the period, the camera will be triggered once animals enter the detection range. Beyond the period, the camera will not take any photos or videos.

### **Record Audio**

On / Off available

Select 'On' or 'Off' as needed.

After choosing 'On', the camera will only record audio during the video recording. Beyond the period, the camera will not record any voice.

### **Date/Time**

DD / MM / YY, MM / DD / YY, YY / MM / DD available, press 'OK' to confirm change and switch to next digit, after setting the date/time, press 'MODE' button to exit Date/Time setting.

### **Time Format**

12H/24H available

Choose 12 hours system or 24 hours system.

### **Date Stamp**

On / Off available

Select 'On' and then the date watermark will be displayed on photo or video.

### **Camera Name**

Setup the camera name and it will be displayed in the photo watermark.

## Beep Sound

On / Off available

Select 'On' and then you will hear the beep sound when press buttons.

## Language

English / French / Spanish / Portuguese / German / Italian / Chinese available. Choose the language as needed.

## Password Setting

Setting a startup password can prevent others from changing camera parameters. Please enter '1111' to unlock the camera if you forgot your password. Choosing 'On' then click 'OK' to set up the password, press the ' ↑ 'and' ↓ ' button to adjust values of password. Press MODE to switch to the next password value. When finishing the settings, click 'OK' to exit the password setting.

## Auto WIFI Off

1 Minute/2 Minutes/3 Minutes available

Setup the period so the camera will automatically turn off WIFI when it is not connected to a smartphone within the preset time.



**Notice:** If the WiFi connection is disconnected, you need to open the APP to reconnect manually.

## Format

Cancel /OK available

Select 'OK' to delete all data from the memory card.

## Default Setting

Cancel /OK available

Select 'OK' to return menu setting to defaults.

## Version

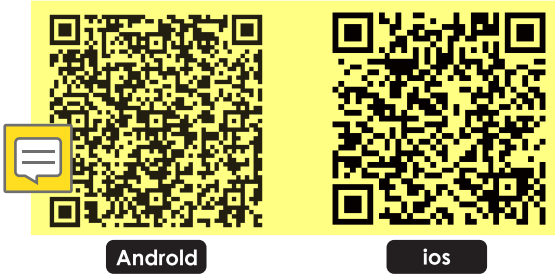
Check firmware version.

## WIFI and APP

Please scan the following QR code to download the APP on the smartphone first.

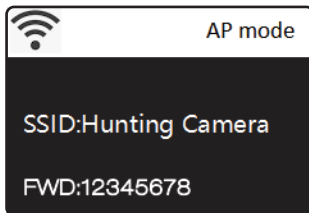
For the Android system, please search for 'Hunting Cam Pro' in Google Play to download.

For the IOS system, please search for 'Hunting Cam Pro' in the App Store to download.



### The Processes of WiFi Connection:

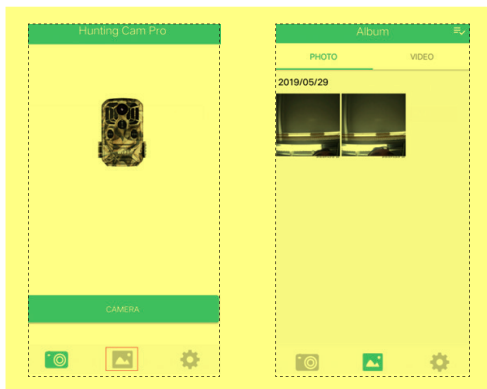
1. Press '↑' button for 3 seconds in the 'SETUP' mode, or press 'ON' button on the wristwatch to open the built-in wifi of the camera, the screen will display the '📶' connection interface. When the indicator light flashes alternately on the camera, the interface shows as follow.



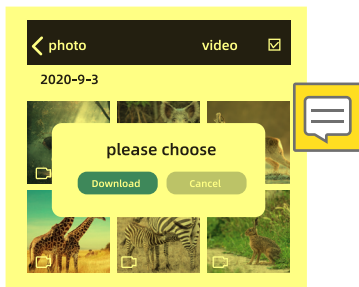
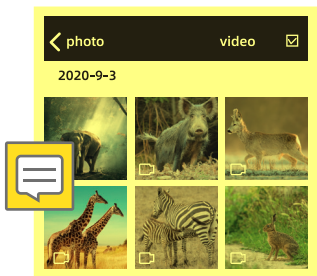
2. Click 'Settings' on the phone, and then click 'Wi-Fi' option, choose 'Hunting Camera' (built-in WiFi of camera). The initial password is '12345678'.
3. When the WiFi is connected successfully, the camera screen will show a connection interface as follow. If the camera screen turns to black after some while, please press any key on the camera and the screen will light up again. If you want to disconnect the WiFi, please press '↑' button.



4. Open the 'Hunting Cam Pro' APP and click 'Connect Camera'.



On the APP, you can preview the screen being shot in real time, and you can take pictures/videos, set menu, playback/download/delete file, as well as downloaded files can be viewed in the APP album, which can be deleted or shared.



## Exit WiFi Mode

- ① Press '↑' button of the camera to exit WiFi, and the camera turns back to the recording interface, and the indicator light turns off.
- ② Press 'OFF' button on the remote control. If the indicator light turns off, the WiFi has successfully turned off.



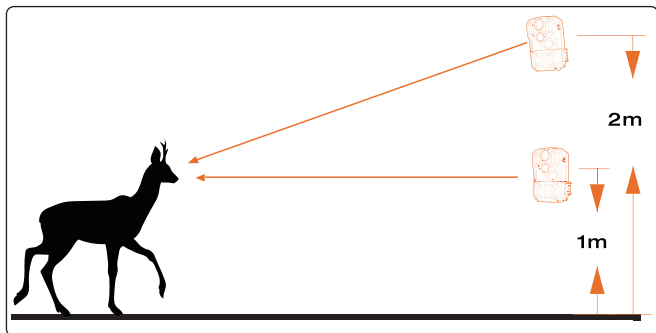
**Notice:** If you turn on 'Auto WiFi OFF', the camera will automatically exit WiFi mode after the selected time period (1 Minute/2 Minutes/3 Minutes available).

## The Precautions of Camera Installation

You can use fastening strap or wall bracket to fix the camera.

1. The detecting range of the sensors is 120°. Please aim the main sensor at the area to be photographed to ensure that the subject is not missed.
2. Place and test the camera as following:  
Fasten the camera to a tree or similar object at a height of 1-2 meters and aim the camera to the desired direction. Then move slowly from one side of the target area to the other side. While doing this, monitor the motion display.





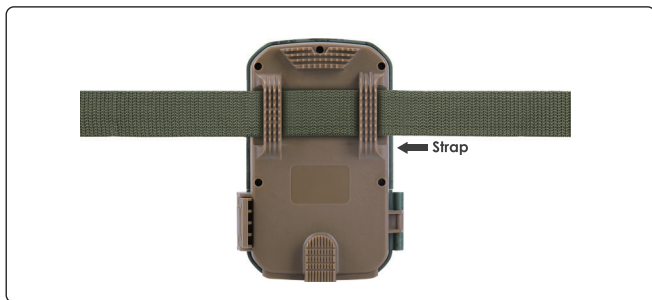
Working Principle of Sensors: If sensors light up in red, something has been detected by the front motion sensor. In this case, you can work out the best alignment for the camera.



**Notice:** To ensure that the camera doesn't make unwanted recordings of irrelevant movements, it should not be set up in a sunny location or close to branches.

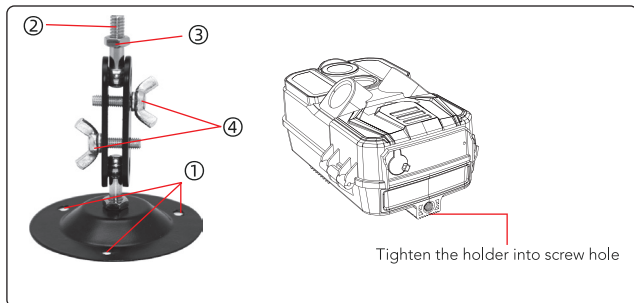
## Mounting

### Using the Adjustable Web Belt



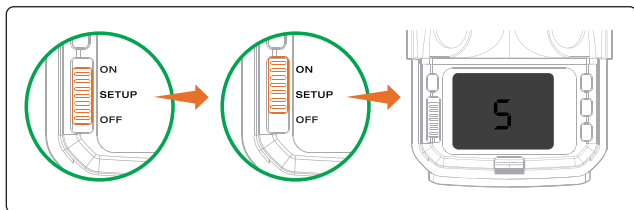
### Using the Tripod Socket

- ① Drilled holes
- ② Counter screw
- ③ Tripod bolt
- ④ Hinge screws



## Enter ON Mode

The standard application of the DL501 Camera is the 'ON' mode. In this mode, photos are either triggered by movement sensors or at intervals according to the respective setting. Please switch to the 'SETUP' mode, adjust the settings as you want, then switch to the 'ON' position. The red LED will flash and the screen will count down 5 seconds, and then the camera will work automatically. As soon as wild animals or other objects enter the detection area of the sensor zone, the camera starts to record photos and videos.



- In the daytime, IR LEDs will not work (the photos and videos in color). At night, the IR LEDs will start working automatically (photos and videos in black and white).
- The PIR Interval is 1 minute defaulted. 59' 59" optional.
- Please set up recording mode and related parameters before entering the 'ON' mode.
- If the battery is in low power, the camera is not enough to turn on the IR LEDs and can't take any photos or videos at night. Therefore, we recommend using 8x 1.5V AA batteries (external power supply is at least 6V) for good night vision. Please don't use 4x batteries or 1.2V external power supply.

## Technical

Model	DL501
LCD screen	2.0 inch
Mode	Photo, Video, Photo and video
Photo resolution	24MP, 20MP, 16MP, 12MP, 10MP, 8MP, 5MP, 3MP, 2MP
Video resolution	1296P, 1080P, 720P, WVGA, VGA
Sensor	3Pcs
Lens	F2.5
LED	34Pcs 940nm LEDs
Trigger time	0.2s
Detection Angle	120°
Detect distance	20m
Waterproof	IP66
Wifi connect distance	10m (we recommend 5m for quick and stable transfer speed)
Memory type	SD card (up to 128GB)
File format	JPEG, AVI
OS	Windows XP/ Vista/7/8, Mac 10.2
USB connection	USB 2.0
Power	External 6V DC power supply
Power interface	3.5*1.35mm
Speaker	Supported
Language	English/French/Spanish/Portuguese/ Deutsch/Italiano/Chinese/Japanese

## Simple Trouble Shooting

<p>The camera can't be turned on</p>	<ol style="list-style-type: none"><li>1. Please check whether the batteries are installed in proper way.</li><li>2. Check if the battery capacity is low or exhausted. If it is, please replace by 8x 1.5V brand new AA batteries.</li><li>3. Check if the switch has been adjusted to the 'ON' mode. Switch to the 'SETUP' mode for parameter setting. After setting, switch to the 'ON' mode and the screen will turn off when the 5s countdown ends and enter the working mode.</li><li>4. If SD Card and SD Card hoder has something wrong, the camera will also not work normally.</li></ol>
<p>The camera turns off automatically</p>	<ol style="list-style-type: none"><li>1. Please check whether the battery capacity is low or exhausted. If it is, try to change new batteries for outdoor using or connect 6V DC adapter(the power interface is 3.5*1.35mm) for indoor using.</li><li>2. If SD Card and SD Card hoder has something wrong, the camera will also turn off.</li></ol>

<p>It shows 'SD card Error'</p>	<ol style="list-style-type: none"> <li>1. Please ensure that SD card is with class 10 standard or higher level.</li> <li>2. Please format the SD card on the computer first and format it again when it inserted into the camera.</li> <li>3. Please replace another SD card.</li> </ol>
<p>Videos are choppy or jumpy when played on a computer</p>	<ol style="list-style-type: none"> <li>1. Try to use different media players such as VLC player.</li> <li>2. Ensure AVI format Video clip can be played on your computer.</li> </ol>
<p>The image is not clear</p>	<ol style="list-style-type: none"> <li>1. Please set the resolution to high.</li> <li>2. Shorten the shooting distance.</li> <li>3. Please don't take photos at rainy or foggy weather.</li> <li>4. Please ensure that you have removed the protective films on IR LEDs and lens before using.</li> </ol>

The camera does not take images or record videos

1. Please check if the batteries power is too low.
2. Make sure you have insert the SD card(class 10 or higher, up to 128GB), and the SD card is successfully formatted.
3. Confirm the switch has been adjusted to the 'ON' mode. When the 5s countdown ends, the screen will turn off to enter working mode, then the camera needs to wait for a 'PIR interval time' (depends on your setting) before it officially enters the standby state. At this time, it will start shooting or video recording according to the environmental temperature change.
4. Every time a photo/recording is completed, the camera will enter a static non-triggered state. The specific duration is determined by the 'PIR interval time'. In this state, the camera will not take pictures or record videos until the 'PIR interval time' ends.
5. Confirm the usage scenario. The smaller animal needs to be closer to the camera to trigger.

The night vision effect is poor

1. Check whether the battery is in low. The night shot requires to turn on IR LEDs, thus it will consume more battery power. Therefore, if the battery is insufficient, the night vision effect will be poor or even the night vision will not work. In this case, please check whether the battery is 1.5V(do not use 1.2V rechargeable batteries, sometimes even a brand new battery will not work due to insufficient voltage).
2. In the field, the camera relies on IR LEDs to take photos or videos. If the subject(such as distant plants and small animals) is in a far distance, the photo or video will be fuzzy. Therefore, we recommend that the camera is installed at about 5 meters of the active range of the subject(the smaller size of the objects, the closer the distance is required).



The wifi connection between App and camera is stuck/ disconnected

Due to the high repetition rate of 2.4GHz Wifi frequency, it has potential problems of interference. The camera has a possibility to be interfered by other devices( other routers, microwave ovens, Refrigerators and other electrical appliances), which leads to the WiFi signal reduction or easily disconnected.  
Please use the DL501 wifi trail camera where there are few interference sources.



**Note:** Specification could be subject to modification due to updating. Please regard the actual product as the standard form.