

TC30

TRAIL CAMERA

User Manual

We are ready to help you solve your problem, please contact our support team to get 1 year free replacement and lifetime technical support! Please contact email: support@usogood.co

Wir sind bereit, Ihnen zu helfen, Ihr Problem zu lösen, kontaktieren Sie bitte unser Support-Team, um 1 Jahr kostenlosen Ersatz und lebenslangen technischen Support zu erhalten!
Kontaktieren Sie bitte E-Mail: support@usogood.co

Nous sommes prêts à vous aider à résoudre votre problème, veuillez contacter notre équipe d'assistance pour bénéficier d'un an de remplacement gratuit et d'une assistance technique à vie!
Veuillez nous contacter par e-mail : support@usogood.co

Siamo pronti ad aiutarti a risolvere il tuo problema, contatta il nostro team di supporto per ottenere 1 anno di sostituzione gratuita e supporto tecnico a vita! Si prega di contattare l'e-mail: support@usogood.co

¡Estamos dispuestos a ayudarle a resolver su problema, por favor, póngase en contacto con nuestro equipo de apoyo para obtener 1 año de reemplazo gratuito y soporte técnico de por vida! Por favor, contacte con el correo electrónico: support@usogood.co



Official Website

FCC STATEMENT:

This device complies with Part 15 of the FCC Rules. Operation is subject to the following two conditions:

- (1) This device may not cause harmful interference.
- (2) This device must accept any interference received, including interference that may cause undesired operation.

Warning:

Changes or modifications not expressly approved by the party responsible for compliance could void the user's authority to operate the equipment.

NOTE:

This equipment has been tested and found to comply with the limits for a Class B digital device, pursuant to Part 15 of the FCC Rules. These limits are designed to provide reasonable protection against harmful interference in a residential installation. This equipment generates uses and can radiate radio frequency energy and, if not installed and used in accordance with the instructions, may cause harmful interference to radio communications. However, there is no guarantee that interference will not occur in a particular installation. If this equipment does cause harmful interference to radio or television reception, which can be determined by turning the equipment off and on, the user is encouraged to try to correct the interference by one or more of the following measures:

Reorient or relocate the receiving antenna.

Increase the separation between the equipment and receiver.

Connect the equipment into an outlet on a circuit different from that to which the receiver is connected.

Consult the dealer or an experienced radio/TV technician for help.

FCC Radiation Exposure Statement:

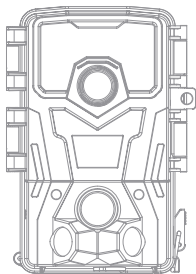
This equipment complies with FCC radiation exposure limits set forth for an uncontrolled environment. This equipment should be installed and operated with minimum distance 20cm between the radiator & your body.

ENGLISH

Package List	1
Functional Features.....	2
Get Started.....	4
Detecting the PIR Sensors.....	5
Setup the Camera	6
Install the Camera	7
Main Functions	7
Technical	8
UseGood Service.....	10
Warranty	10

1. Package List

Please carefully unpack camera and check that below accessories are contained in the box. If any parts are missing, please contact us via email support@usogood.co



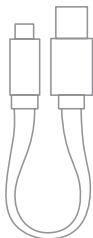
1



2



3



4



5



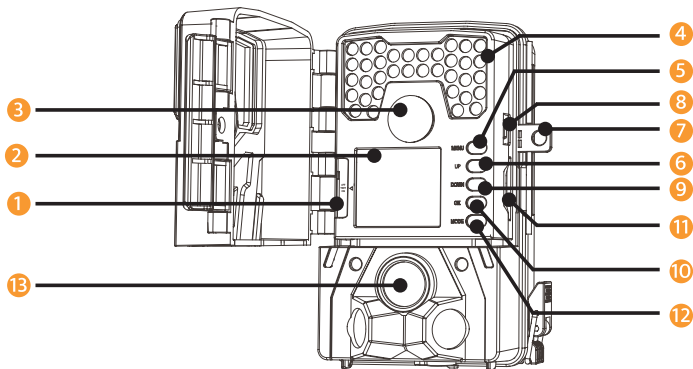
6

- ① Wildlife Camera x 1
- ② Mounting Belt x 1
- ③ Instruction Manual x 1

- ④ Type-C cable x 1
- ⑤ Battery x 8
- ⑥ SD Card x 1

2. Functional Features

It is a high-definition wildlife camera, which supports night vision, has rainproof capability and can work automatically outdoors all day long. When people or animals intrude into the field of camera view, the camera will automatically take photos or videos. If no people or animals trigger it, it will be in standby mode. It is widely used in animal tracking, hunting, farm monitoring and other scenarios.



① ON/TEST/OFF

② LCD

③ Lens

④ IR LED

⑤ MENU

⑥ UP

⑦ Lock ring

⑧ USB interface

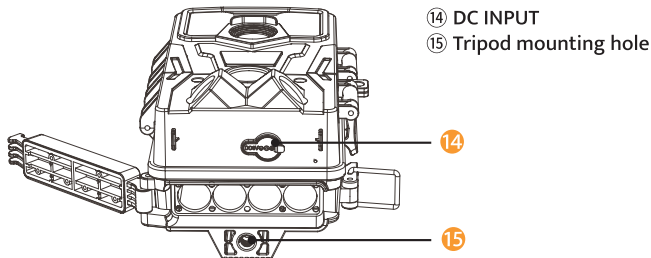
⑨ DOWN







⑩ OK

⑪ SD card slot

⑫ MODE

⑬ PIR

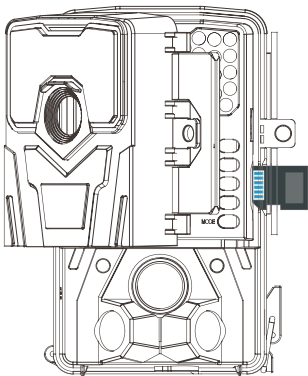


Key	Function Description
	<p>ON: Working mode. Enter the automatic monitoring state.</p> <p>TEST: Setting mode. Set parameters, preview, test shooting, playback, etc.</p> <p>OFF: Shutdown. Turn off the power and the camera stops</p>
MENU 	Enter menu / return to the previous menu
MODE 	Switch the preview mode: recording / shooting / playback
UP 	Page forward
DOWN 	Page backward
OK 	Confirm execution

3. Get Started

a. Insert the memory card

The camera uses CLASS 6 or above TF card(up to 32GB), please format the memory card on the computer and install it as shown in the figure:



1. Open the panel lock
2. insert the memory card

Notice:

Turn off the camera before removing or inserting the memory card, otherwise the memory card may be damaged or data may be lost.

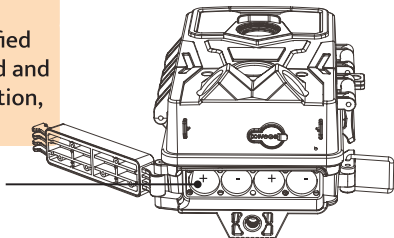
b. Install the battery

The camera uses 8x 1.5V AA batteries or 1.5V rechargeable batteries for power supply, please install the batteries as shown in the figure: Switch the [Function] to 'TEST', the screen will light up, indicating that the battery is installed correctly.

Notice:

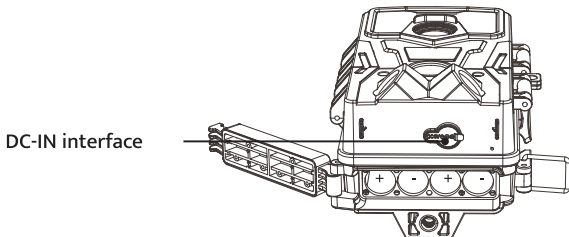
Insert batteries in the specified direction, and do not mix old and new batteries. After installation, the lock must be fastened.

Insert the battery as shown



c. Using an external power supply

To ensure long working hours, the camera can use an external power supply. The DC-IN interface are as shown in the figure:



Notice:

Please use a standard external power supply: DC 6V/2.0A, 3.5mm interface. The wrong external power supply can damage the camera. Do not remove the internal battery when using an external power source. When the external power supply is not used, the waterproof plug must be covered.

4. Detecting the PIR Sensors

Insert 8x 1.5V AA batteries and a formatted memory card, switch to 'TEST' mode, waving your hand in front of the camera lens, If the red light is flashing, it indicates the side PIR sensors are working properly and the if green light is flashing, it indicates the main PIR sensor is also working properly.

Press OK button to take a photo manually. Then press MODE button to check the photo you have taken. If it succeeds, it indicates the camera works well.

5. Setup the Camera

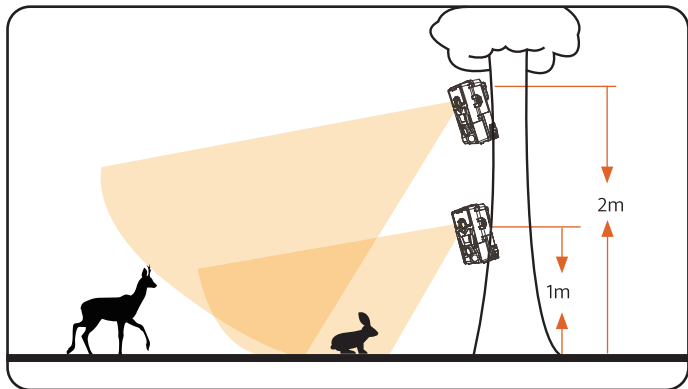
1. Insert the formatted SD card
2. Insert 8 brand new 1.5V AA batteries
3. Switch to TEST mode
4. Press MENU to set parameters
5. Place the camera on a suitable placement
6. Switch to ON mode
7. The camera works after 5s countdown

Note: After 5s countdown, the screen will turn black. At this time, please wait another 30s to activate the internal analog circuit, during this time the camera does not take pictures.



Scan the QR code to learn how to operate the camera

6. Install the Camera



Notice:

1. The detection range of the pir sensors is 120°. Please aim the main sensor at the capture zone to ensure that no movement is missed.
2. To ensure that the camera does not unnecessarily record irrelevant action, please avoid direct sunlight.

7. Main Functions

Cycle storage

Turn on the cycle storage function, when the memory card is full, it will be automatically overwritten.

Target recording time

Turn on the Target recording time, set the working time, the camera will only work during the set period. Please note that the Time Lapse function should be turned off at this time.

Time lapse

Turning on Time lapse, the camera takes photos at regular intervals and automatically creates a video file. Please note that the Target recording time function should be turned off at this time.

PIR Interval

After the selected interval, only when the animal enters the detection range, the camera will be triggered and take a picture. Shorter intervals and higher camera frequency will consume power faster.

Switch to 'ON' mode then wait for the 5 seconds countdown to enter the working mode. If you can take pictures or record videos normally with this setting, the camera is working properly.

Note: The camera will experience a PIR interval (depends on your settings) when it just enters the working mode, it will not take a photo during this time.

8. Technical

Sensor	CMOS, 24MP
Lens	F=2.5 f=8.7mm FOV=90°
IR LED	850NM /36pcs
Trigger Speed	0.3s
PIR Detection Range	120°
PIR Trigger Distance	0 - 18m

LCD Screen	2.0 inch TFT-LCD
Working Mode	Photo / Video / Photo + Video / Time Lap se
Photo Format	JPEG 2M/3M/5M/8M/12M/16M/20M/24 M
Video Format	AVI 640X480P/1280X720P /1920X1080P
Speaker	Supported
Microphone	Supported
Waterproof Level	IP66
Working Voltage	DC 6V
Battery Type	8x AA batteries
External Power Supply	DC 6V/2.0A
Memory Card	Class 6 or higher, max.32GB
Power Interface	3.5mm * 1.35mm
Type-C Connection	Type-C cable
Language	English/ French/ Germany/ Japanese/ Spanish/ Italian/ Chinese/ Czech

9. UsoGood Service

When you receive our products, please contact us if you encounter any problem during installation or use.

If any problem is found, please contact us.

Email: support@usogood.co

Website: usogood.co

We promise you can choose one of them

- 1) 24-hour technical support
- 2) Repair products for free
- 3) Trade-in of products used for more than 2 years

10. Warranty

Amazon only offers 1 month free returns,

Contact us to extend the warranty to 12 months!

Scan the QR code below to extend the warranty:



Register within 10 days after receiving your camera to ensure your purchase is 100% guaranteed.

All we need is your order details... That's it! Register online NOW!