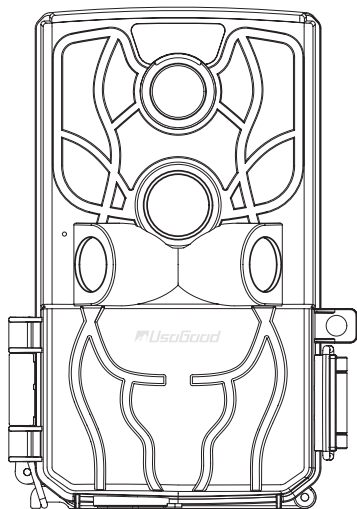




TC80



User Manual

Trail Camera with WiFi & Bluetooth

Dear Customer

We are truly grateful that you have chosen us as your best product dealer. You are one of our most highly valued customers. We are honored to have the opportunity to serve you.

Speaking on behalf of the company, we hope you can enjoy the fantastic quality of our products and services. We will try our best to meet your requirements and expectations.

Usogood has always been committed to creating high-quality products and bringing 100% satisfactory service to our beloved customers. We value the precious feedback of every customer.

At the same time, we provide each customer with a 12-month guarantee period. During this period, if there are any problems with the product, or if you have any questions, please feel free to contact us. You can contact us in any of the following ways.

Kind Regards,
Usogood Team

 www.usogood.co

 support@usogood.co

 <https://www.facebook.com/usogoodoffice/>



Facebook group



Official website

After-sales support

We are always ready to help you solve your problems, just contact our support team to get 1-year free replacement and lifetime technical support!

Contact email: **support@usogood.co**

Wir sind immer bereit, Ihnen bei der Lösung Ihrer Probleme zu helfen. Wenden Sie sich einfach an unser Support-Team und Sie erhalten 1 Jahr lang kostenlosen Ersatz und lebenslangen technischen Support!

Kontakt E-Mail: **support@usogood.co**

Nous sommes toujours prêts à vous aider à résoudre vos problèmes, il suffit de contacter notre équipe d'assistance pour obtenir un remplacement gratuit d'un an et une assistance technique à vie !

Contact email: **support@usogood.co**

Siamo sempre pronti ad aiutarvi a risolvere i vostri problemi, basta contattare il nostro team di supporto per ottenere 1 anno di sostituzione gratuita e supporto tecnico a vita!

Contatto email: **support@usogood.co**

Siempre estamos dispuestos a ayudarle a resolver sus problemas, sólo tiene que ponerse en contacto con nuestro equipo de asistencia para obtener un año de sustitución gratuita y soporte técnico de por vida.

Email de contacto: **support@usogood.co**

FCC STATEMENT:

This device complies with Part 15 of the FCC Rules. Operation is subject to the following two conditions:

- (1) This device may not cause harmful interference.
- (2) This device must accept any interference received, including interference that may cause undesired operation.

Warning: Changes or modifications not expressly approved by the party responsible for compliance could void the user's authority to operate the equipment.

NOTE: This equipment has been tested and found to comply with the limits for a Class B digital device, pursuant to Part 15 of the FCC Rules. These limits are designed to provide reasonable protection against harmful interference in a residential installation. This equipment generates uses and can radiate radio frequency energy and, if not installed and used in accordance with the instructions, may cause harmful interference to radio communications. However, there is no guarantee that interference will not occur in a particular installation. If this equipment does cause harmful interference to radio or television reception, which can be determined by turning the equipment off and on, the user is encouraged to try to correct the interference by one or more of the following measures:

Reorient or relocate the receiving antenna. Increase the separation between the equipment and receiver. Connect the equipment into an outlet on a circuit different from that to which the receiver is connected. Consult the dealer or an experienced radio/TV technician for help.

FCC Radiation Exposure Statement:

This equipment complies with FCC radiation exposure limits set forth for an uncontrolled environment. This equipment should be installed and operated with a minimum distance of 20cm between the radiator & your body.

CONTENTS

English

ABOUT USOGOOD TRAIL CAMERA.....	1
PACKING LIST	2
PREPARE THE CAMERA.....	6
MOUNTING HEIGHT AND ANGLE.....	7
WIFI CONNECTION AND APP CONTROL	8
MENU SETTINGS.....	12
TROUBLE SHOOTINGS	16

• ABOUT USOGOOD TRAIL CAMERA

What is usogood trail camera?

The usogood trail camera mainly activates the camera by sensing the temperature changes of moving objects to take pictures and videos to monitor activities. Just connect the phone to the camera's built-in WiFi, and you can set the camera's parameters and download the captured pictures and videos through the APP 'Wildlife Cam Pro' on the phone.

What is the working mode?

The usogood trail camera's WiFi adapts AP hotspot mode, no need to connect to a home router.

There are two working modes of WiFi:

1. When the camera is in the **TEST** mode, manually turn on the camera's built-in WiFi by clicking the **UP** button.
2. When the camera is in the **TEST** or **ON** mode, open the APP, click 'Connect Camera' to activate the camera's built-in WiFi via Bluetooth.

WiFi Name: **Trail Camera XXXXXX**

Initial Password: **12345678**

(WiFi mode is not used for real-time video surveillance)

How do we supply power?

We recommend using 8x 1.5V brand new AA batteries or 1.5V rechargeable batteries (do not use 1.2V batteries) or 6V DC solar panels to power the camera outdoors. Please pay attention to the positive and negative poles in the battery box.

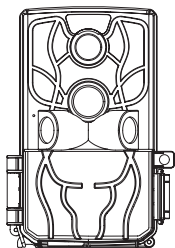
Indoors, you can use a 6V DC external power supply for power supply (the port size is **3.5x1.35 mm**).

How do we store pictures and videos?

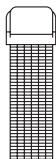
Please use a Class 6 or higher SD card (maximum **64GB**). A **32GB** SD card should be formatted as **FAT32**, and a **64GB** SD card should be formatted as exFAT.

When you do not active the Cycle Storage mode, if the SD card is full, it will stop recording new photos and videos. When you activated the Cycle Storage mode, if the SD card is full, it will overwrite the old files from the first file. So in order not to lose for the original valuable files, please clean up the memory in the SD card regularly (remove the SD or connect to the computer via a USB cable).

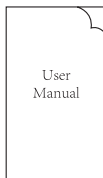
• PACKING LIST



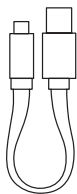
Trail Camera



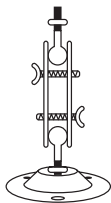
Mounting Belt



User Manual



USB 2.0 cable

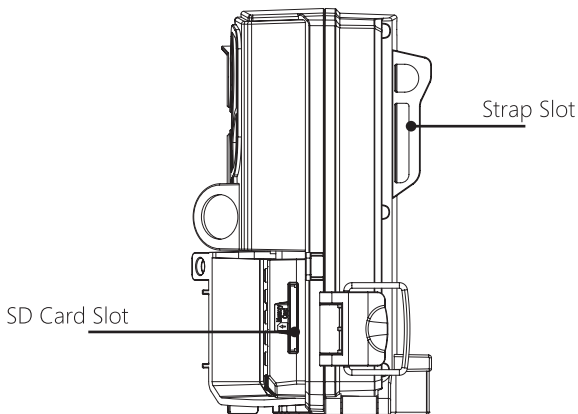
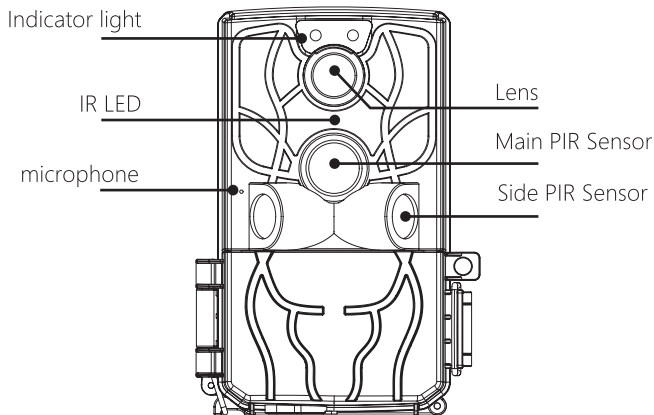


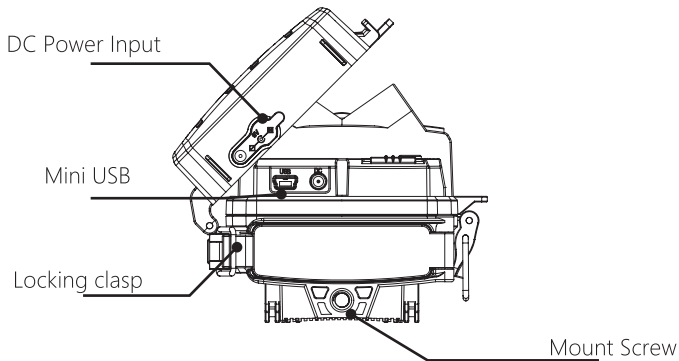
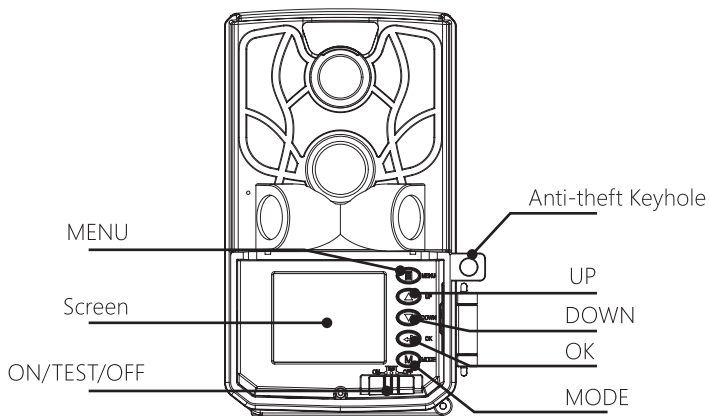
Wall Mount



ScrewsX3

If you have any missing or damaged parts after receiving the package, please contact our email at support@usogood.co as soon as possible. Our professional after-sales team will provide you with high quality customer service at the first time.





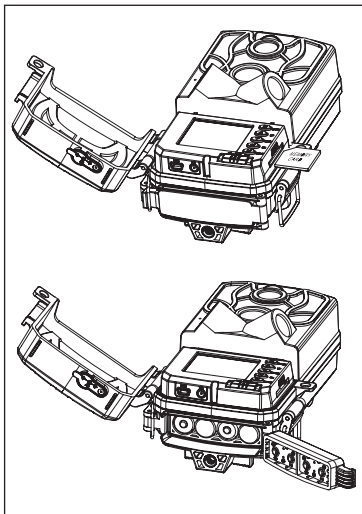
Button Name	Function Description
Function	<p>OFF: Shut down. Turn off the power and the camera stops working.</p> <p>TEST: Set camera parameters, preview, test shooting, playback, etc.</p> <p>ON: Monitor shooting mode. The camera enters the automatic monitoring shooting state.</p>
MENU	Enter the menu/return to the previous menu
MODE	Switching the preview mode: recording mode/photographing mode/playback mode
UP	Move up/page forward/open or close WIFI mode
DOWN	Move down/page backward
OK	Confirm execution

Universal Button

Press **UP** and **DOWN** button to adjust values, press **OK** button to confirm changes and switches to next digit, press **MENU** button to exit the setting mode.

• PREPARE THE CAMERA

Please test whether the camera is working normally first after receiving it.



1. Insert **8 x 1.5V AA** batteries.
2. Before using the camera, please format the **SD card** both on PC and camera.
3. In **TEST** mode, if you can turn on the camera and set parameters, it means that the camera is in good condition.
4. In **TEST** mode, check if the Sensor is in good condition as follows:
Please walk around or do some actions in front of the camera sensor. If the green light at the top of the camera is flashing, the main sensor in the center of the camera is intact. If the red light is also flashing, the sensors on the sides are intact.
5. Switch to **TEST** mode, set

parameters as follows.

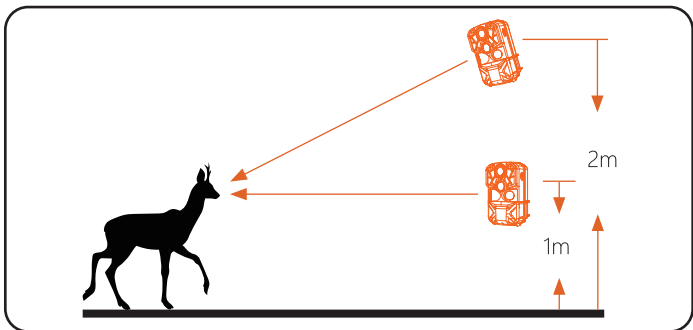
- Mode: Photo
 - Photo resolution: 48MP
 - Photo series: 1 photo
 - pir interval: 10 seconds
 - Side motion sensors: on
 - pir sensitivity: Middle
 - Target recording time: off
 - Time lapse: off
6. After setting the parameters, please switch to the **ON** mode. At this time, the camera screen will display a 5s-countdown. After the countdown is over, the camera screen will turn black, indicates that it is in the work-state at this point. The camera will start shooting or

recording according to ambient temperature changes.

Note:

1. Please use a **class 6** or **higher SD card**(max 64GB). 32GB SD cards should be formatted as FAT32, 64GB should be formatted as exFAT.
2. Both rechargeable and non-rechargeable batteries are supported. You can also use a **6V/2A** external power source, such as a solar panel.
3. The average battery voltage must be at least **1.4V** per cell. When the voltage of a normal AA battery falls below 1.4V, the battery is in a state of near disconnection and can no longer turn on the camera's IR light, WiFi, or even record video. So Do not use 1.2V rechargeable batteries or old and new batteries mixed.
4. Please use an external power supply (**3.5mm** connector) with a specification of DC 6V/2.0A. Mismatched power supplies will damage the camera. It is not necessary to remove the battery inside the camera when using the external power supply. When not using the external power supply, please cover the waterproof plug.

• MOUNTING HEIGHT AND ANGLE



1. The detection range of the sensor is 120° . Please aim the main sensor at the area to be photographed to ensure that no subject is

missed.

2. Fix the camera on a 1-2 meter high tree or similar object and aim the camera in the desired direction. (The camera should be tilted slightly downward).

Note: To ensure that the camera does not unnecessarily record irrelevant action, it should not be set in a sunny area or near a tree branch.

• WIFI CONNECTION AND APP CONTROL

Please scan the following QR code or search for **Wildlife Cam Pro** in **Google Play Store** or **Apple Store** to download the APP.

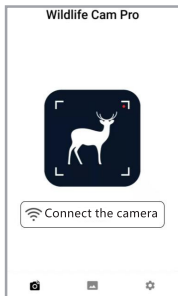


iOS

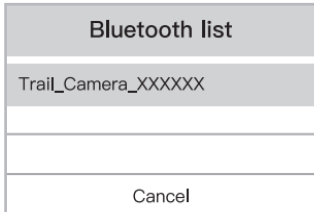
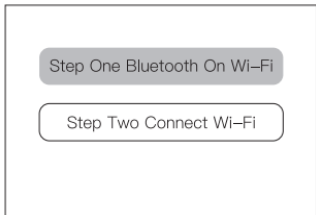
Android

» CONNECT THE BUILT-IN WIFI VIA BLUETOOTH

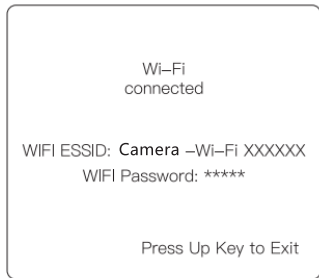
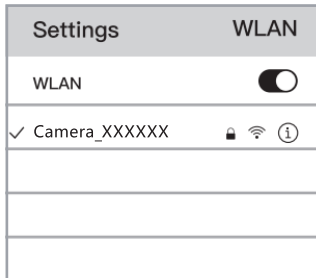
1. Open the APP and click **Connect Camera** when the camera is on **TEST** mode or **ON** mode.



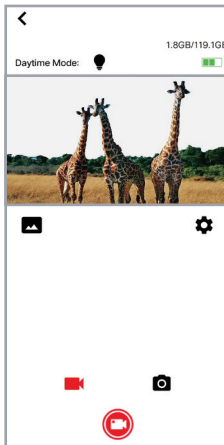
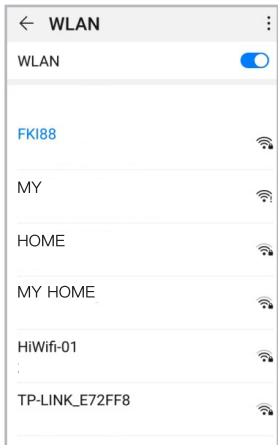
2. Click Step **One Bluetooth on Wi-Fi** and Click **Trail_Camera_XXXXXX** to activate the built-in wifi.



3. Click **Camera_XXXXXX** in WiFi setting interface and enter initial password **12345678**.



4. Return to the APP. After successful connection, you can control the camera via the App, such as preview photos or adjust parameters.

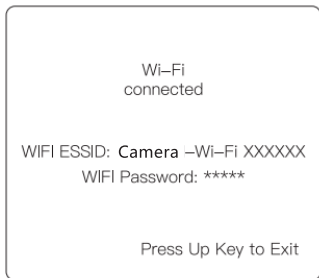
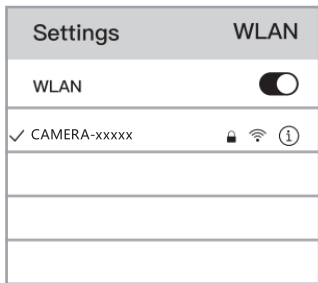


» CONNECT THE BUILT-IN WIFI MANUALLY

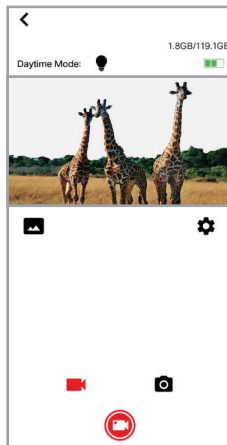
1. Press **UP** button in the **TEST** mode to activate the built-in WiFi of the camera.



2. Click **Camera_XXXXXX** and enter the initial password **12345678** in the Wi-Fi connect interface.




3. Open the APP, click **Connect Camera** to connect the camera's built-in WiFi and then to control the camera via APP.




» APP USAGE INSTRUCTIONS

Click icon  to turn on/off the night vision function.

Click icon  to switch to recording, the icon turns red, indicating the current recording mode.

Click icon  to switch to taking pictures. The icon turns red, indicating that the current is the photo mode.

View photos and videos

Click icon  to view photos and videos. You can also follow the prompts of APP to download and delete photo and video files.


Note: Videos need to be downloaded to your phone before you can view them in APP.

The screen you see in the APP does not represent the actual resolution of the camera, and the files have been compressed during wireless transmission.


Set camera parameters

Click icon  to set the camera parameters and functions in APP.

Shooting

Click icon  to shoot video. Click icon  to take a photo.

Exit APP

Click icon  in the upper left corner of the screen, the screen prompts "Disconnect the camera and exit the program", tap OK to exit the APP and disconnect.

Note: Using WIFI to connect the camera consumes more power, so it is not recommended to use this function for a long time.

• MENU SETTINGS

Switch to **TEST** mode to set camera parameters. Some important parameters are described below.

Cycle Storage

When this function is activated, the camera continues to record and save new files when the memory card is full. The old file will be overwritten.

Note: After activating Cycle Storage, when the SD card is full, Old files will be overwritten and cannot be recovered.

pir Interval

After the selected interval, only when the animal enters the detection range.

The Camera's PIR Photography Principle: In the detection range, if the camera detects a temperature change, the camera will automatically take photos after PIR interval. If the camera doesn't detect the temperature change, it won't take photos.

Note: pir interval time affects battery life. Using a short interval, the camera is more likely to capture the target, but more power hungry.

pir Sensitivity

Adjust the sensitivity according to the animal size and the ambient temperature. For example, set high sensitivity when photographing small animals (such as hedgehogs) and adjust the sensitivity to low in the cold weather. The specific adjustment scheme is subject to the actual effect.

Note: pir sensitivity affects the battery life. Choose high sensitivity, the camera is easier to shoot the target, but more power consumption.

IR Brightness

In the dark, the camera is illuminated by infrared LEDs, the brightness of which can be adjusted. Infrared LED brightness affects battery life and night vision.

In a completely light-free environment, it is recommended to use the high HighLight mode, and in an environment with other auxiliary light, please use the economics mode.

Note: HighLight mode means more power consumption, clearer night vision. Economics mode means more power-saving, night vision is less effective.

Side motion sensors

You can choose to turn on or off the sensors on both sides.

Note: Turn off the side motion sensors, the detection range will become smaller, but reduce the camera's unnecessary triggers and save power.

Target recording time

Select **On** and click **OK** to confirm, then press **UP** and **DOWN** button to set the starting working and ending working time.

After completing the settings, the camera will only take pictures or videos during the selected working hours every day. Beyond the period, the camera will be on standby.

For example, if the start time is set to 18:35 and the end time to 8:25, the camera will be operational from 6:35pm of the current day until 8:25am of the following day. During this period, once the animal enters the detection range, the camera will be triggered. Beyond the period, the camera will not take any photos or videos.

Note: The start time of the target recording time must be later than the camera system time, otherwise the camera will work during the set time period from the next day.

Time lapse

Setting Time-lapse Recording

After setting a time interval, the camera will take a photo every once in a while, and finally a video will be automatically generated from all the photos taken that day. It is generally used to take slow-changing images, such as the sun rising, the process of flowering, etc.

Note: Turn off **Target recording time** and turn on **Time lapse**, the camera will take photos at regular intervals throughout the day, and automatically generate and save video files.

Turn on and set **Target recording time**, turn on **Time lapse**, the PIR photo function is disabled and the camera will only work during the set monitoring period.

When activating the Time lapse function, it is necessary to select the

resolution in **TL video resolution**.

password protection

Choosing **On** then click **OK** to set up the password, press **UP** and **DOWN** button to adjust values of password, press **OK** to switch to the next password value.

If you forget your password, please enter universal password **1111**.

Auto WIFI Off

Set the time for WIFI to turn off automatically. To save power, the camera WIFI will automatically turn off when the phone is not connected to WIFI for a long time.

File Processing - Playback Mode

Photos and videos taken by the camera can be viewed back in the camera. You can also lock the protection, unlock, delete and other operations. Press **MODE** to enter playback mode.

Press the **MODE** button to switch to playback **MODE**. Press **UP** and **DOWN** button to view the videos and pictures captured. Press **OK/MENU** to stop playback of video files, and press the **MODE** button to return to the playback case table.

Press **MENU** button on the playback interface to enter the setting menu as following:

- **Delete the current file:** enter this function to delete the current picture or video in the camera memory card.
- **Delete all files:** in playback mode, press **OK** button to delete all files in the camera memory card.
- **Activate slide show:** with this function, the pictures of the memory card can be played in the form of slide show. Each picture is displayed for 2 seconds. Press **OK** to stop or play the slide show.
- **Write protect:** use this function to prevent accidental deletion of documents.

• TROUBLE SHOOTINGS

Questions	Possible Causes	Corresponding Solutions
The camera can't turn on.	<ol style="list-style-type: none"> 1. Undercharged or incorrectly used batteries 2. Incorrect battery installation 3. Foreign objects in the battery contacts 4. Operating temperature too high or too low 5. Use of incorrect external power supply or incorrect connection to external power supply 	<ol style="list-style-type: none"> 1. Replace the battery with the correct size and with sufficient charge 2. Install the batteries correctly according to the instructions 3. Check and clean foreign objects 4. Use at a suitable temperature (-20° to 60°) 5. Use a suitable external power supply (6V/2A, connector 3.5mm*1.35mm) and connect it correctly
The camera suddenly turns off.	Low battery level	Replace the battery with a new one or use an external power supply
The camera works fine during the day, but the pictures are black at night.	Low power supply or incorrect use of external power supply, resulting in the IR lamp not working properly	Use new batteries or an external power supply that meets the requirements

<p>No card read or file saved</p>	<ol style="list-style-type: none"> 1. Power interruption before file storage 2. Memory card does not meet requirements 3. Poor quality or damaged memory cards 	<ol style="list-style-type: none"> 1. Use new batteries or an external power supply that meets the requirements 2. Replace a CALSS 6 or higher memory card 3. Replace with a qualified memory card, formatted using the camera
<p>Camera dies while working.</p>	<ol style="list-style-type: none"> 1. Insufficient power 2. Poor quality memory cards 	<ol style="list-style-type: none"> 1. Use new batteries or an external power supply that meets the requirements 2. Replace the memory card with a qualified one and format it with the camera. Restore the camera to its default settings and reboot
<p>All buttons are inactive.</p>	<ol style="list-style-type: none"> 1. Short circuit when the camera is connected to other devices 2. A button is stuck 3. Poor quality memory card 	<ol style="list-style-type: none"> 1. Unconnect, reboot the camera and connect correctly 2. Press to check each button, reboot camera 3. Disconnect the memory card and restart the camera

<p>The camera is power hungry.</p>	<ol style="list-style-type: none"> 1. PIR interval too short 2. PIR sensitivity too high 3. IR lamp brightness too high 4. Video length too long 5. High number of pictures taken 6. Frequent night-time photography or recording 	<ol style="list-style-type: none"> 1. Extended PIR interval 2. Turn down PIR sensitivity 3. Turn down IR light brightness 4. Reduce the length of the video (e.g. 5s) 5. Reduce the number of pictures taken (e.g. 1P) 6. Rationalise parameters to reduce the time spent shooting at night, or use an external power supply
<p>Camera leaks or fogs up.</p>	<ol style="list-style-type: none"> 1. Waterproof ring with foreign objects or dislodged 2. Not fastened with latch or waterproof plug 3. Incorrect use of the camera, e.g. upside down 	<ol style="list-style-type: none"> 1. Check the watertight ring, keep it clean and fit it correctly 2. Check carefully before use, fasten all latches and close all waterproof plugs 3. Install the camera correctly according to the instructions
<p>Prompt for password error.</p>	<p>Forgotten password</p>	<p>Enter the universal password 1111</p>

<p>Not working properly with external power supply</p>	<ol style="list-style-type: none"> 1. Poor power contact 2. Incorrect external power supply used 	<ol style="list-style-type: none"> 1. Check the power supply connector to ensure that it is securely connected 2. Replace a qualified external power supply. Specification: DC 6V/2A. Too low a voltage will not work and too high a voltage will permanently damage the camera.
<p>Camera not working properly, confusing functions</p>	<p>Incorrectly set parameters</p>	<p>Set the parameters correctly. Or restore the default settings and restart.</p>
<p>Camera does not shoot automatically.</p>	<p>The PIR sensor does not work when time-lapse recording is switched on or when a monitoring period is set</p>	<p>Turn off time-lapse recording and turn off monitoring periods. Restore the default settings and restart</p>
<p>It cannot be switched to video mode or photo+video</p>	<p>Time-lapse recording turned on</p>	<p>Turn off time-lapse recording. Or restore the default settings and restart</p>

Notice: Specification could be subject to modification due to updating. Please regard the actual product as the standard form.